

CS Unitec, Inc.
 22 Harbor Avenue
 Norwalk, CT 06850
 Tel: 800-700-5919
 Fax: 203-853-9921

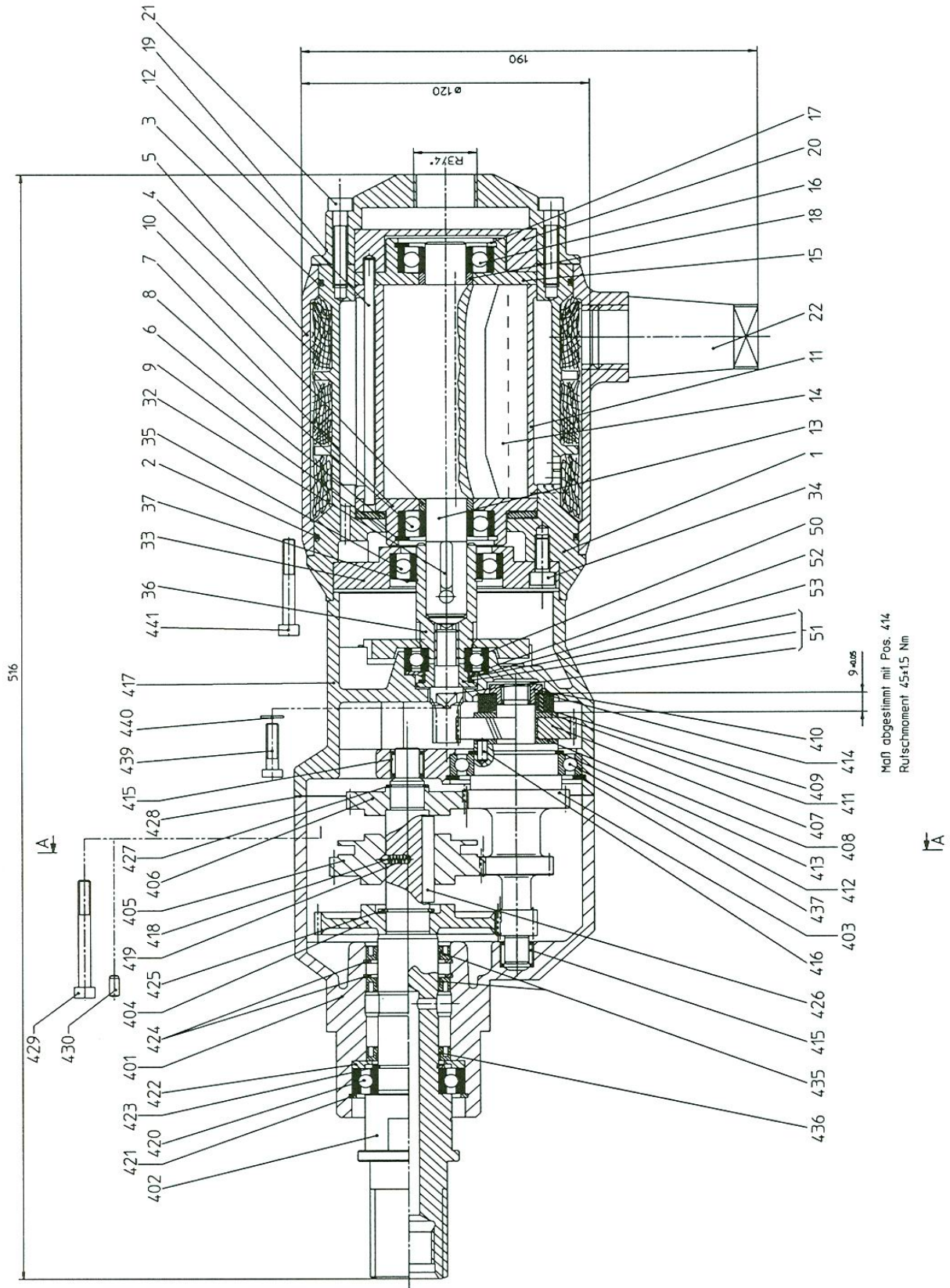
SPARE PARTS LIST

DESCRIPTION :
Core Drill Unit
 2.8 kW

PART NUMBER / DRAWING NUMBER :
2 1328 0050

Page: 3 of 4

Date: 06/06



CS Unitec, Inc.
 22 Harbor Avenue
 Norwalk, CT 06850
 Tel: 800-700-5919
 Fax: 203-853-9921

SPARE PARTS LIST

DESCRIPTION :

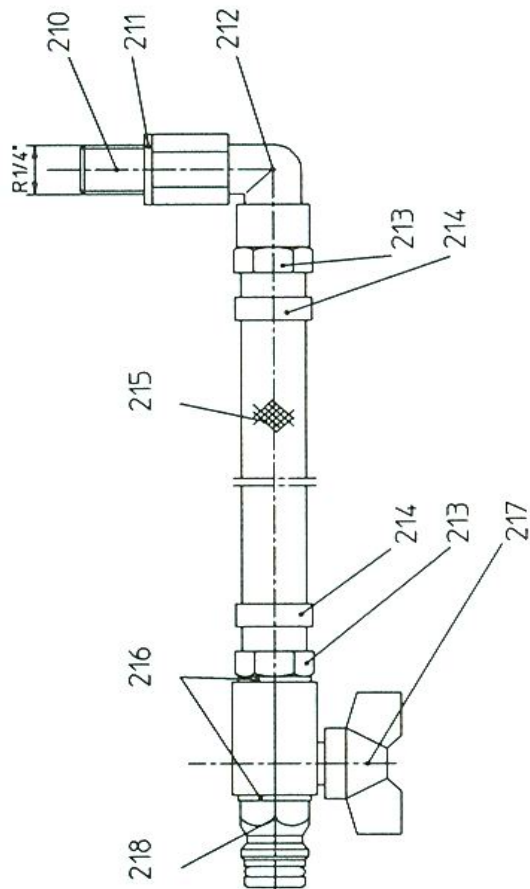
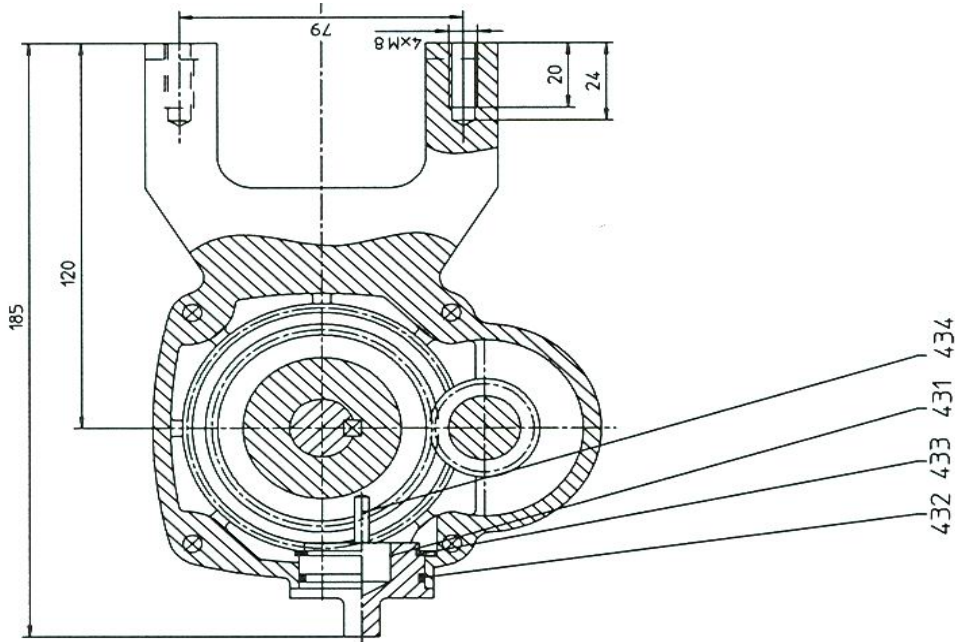
Core Drill Unit
 2.8 kW

PART NUMBER / DRAWING NUMBER:

2 1328 0050

Page : 4 of 4

Date: 06/06



Not responsible for typographical errors.

<u>POS. NO.</u>	<u>ITEM NO.</u>	<u>DESCRIPTION</u>	
	2 1317 4920	Countershaft Assy. consist of	Items 403-433
	2 1315 4960	Gearshift Lever Assembly	
	2 1328 1000	Motor Complete	
	2 1328 4000	Gearbox Complete	
	9 3606 0380	Water Hose	
10 + 18	5 1003 1090	Shim	
2 + 3	9 1901 3400	O-Ring	
35 + 420	223 158	Bearing	
37 + 423	223 344	C-Clip	
416 + 430	9 1619 1300	Pin	
8 + 16	9 1004 0040	Bearing	
9 + 17	9 1703 0120	Snap Ring	4-26-16-003-00-2
1	2 1315 1010	Motor Housing	
4	1 2034 6100	Sound Absorber	
5	2 1315 1120	Rotary Sleeve	
6	9 1802 0480	Spring, Belleville	
7	3 6412 1110	End Plate	
11	3 6412 1020	Cylinder Bushing	
12	9 1637 1850	Stop Pin	
13	2 1315 1030	Rotor	
14	3 6412 1050	Vane	
15	3 6412 1100	End Plate	
19	3 6415 1130	Motor Cover	
20	3 6415 1160	Cover	
21	9 1110 4060	SCREW	
22	9 3801 1040	Muffler	
32	9 1501 3470	Feather Key	
33	2 1315 4180	Bearing Housing	
34	9 1110 4020	Fillister Head Screw	
36	2 1315 4170	Pinion Shaft	
50	117 668	Ball Bearing	
51	256 757	Pinion REPLACES # 2 1315 4950	
52	9 1908 1340	End Plate	
53	9 1908 1350	Seal, Paper	
210	9 2126 0150	Connecting Nipple	
211	256 982	Seal	
212	9 2209 0130	Elbow	
213	9 2109 0050	Nozzle	
214	9 2104 0010	Hose Clamp	
215	9 3602 0280	HOSE	
216	251 648	Valve Ring-#52662&65205	#9 2126 0140 & 9 2126 0120
217	9 2014 0900	Stop Valve	
218	251 650	Brass Nipple	Replaces 83000104 & 76RK497:
401	2 1327 4010	Bearing Housing	

CS Unitec, Inc.

22 Harbor Ave, Norwalk, CT 06850

Telephone: 203-853-9522 Toll Free: 800-700-5919 Fax: 203-853-9921

WebSite: www.csunitec.com E-Mail: info@csunitec.co

Not responsible for typographical errors.

POS. NO.	ITEM NO.	DESCRIPTION	
402	2 1315 4270	SHAFT	
403	2 1317 4170	Gear Shaft	
404	253 895	Gear	
405	253 896	Gear	
406	253 897	Gear	
407	2 1320 4430	Spur Gear	
408	259 158	Washer Ring	
409	255 469	Spring Washer	
410	2 1327 0120	NUT	
411	253 164	Compression Washer, Core Drill	
412	9 1027 0530	Ball Bearing	
413	105 546	C-Clip	
414	253 165	Distance Ring	
414	253 166	Spacer	
415	242 942	Needle Cage	
417	2 1320 1010	Housing	
418	254 048	Ball	
419	254 049	Spring	
421	111 392	C-Clip	
422	254 101	Ring	
424	9 1703 0110	Retaining Ring	
425	256 115	C-Clip	
426	254 046	Key	
427	254 045	C-Clip	
428	2 1317 1190	Seal	
429	9 1110 3110	Screw	
431	253 910	Knob	
432	9 1901 3130	O Ring (See P/N 237 469)	4-06-12-060-00-1
433	255 648	C-Clip	
434	9 1637 2110	Dowel Pin	See P/N 255 649
435	253 222	SEALING RING-# 41376,	9 1905 0050
436	253 219	Ring-#41377, # 9 1905 1230	
437	9 1703 0160	Snap Ring	
439	203 335	Screw	SEE # 9 1110 3100
440	107 727	Washer	
441	9 1110 3040	Screw	

CS Unitec, Inc.

22 Harbor Ave, Norwalk, CT 06850

Telephone: 203-853-9522 Toll Free: 800-700-5919 Fax: 203-853-9921

WebSite: www.csunitec.com E-Mail: info@csunitec.com