

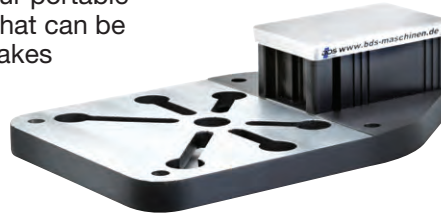
Clamping Devices

MobilCLAMP

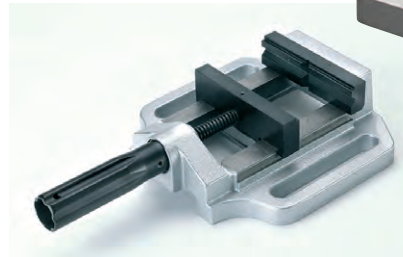
A true advance in magnetic drilling technology: MobilCLAMP converts a magnetic drilling machine into a portable drill press.

MobilCLAMP extends the functionality of your portable magnetic drill - converting it to a drill press that can be easily transported to the jobsite. This unit makes it possible to drill, countersink, ream or tap small parts in any location with a flat surface.

The magnetic drill can be mounted onto the MobilCLAMP with only the power of the machine's magnet - no screws, clamps or other connections between the drill and the base. The magnetic drill becomes a multi-purpose machine for applications involving an annular cutter, twist drill, tap, countersink or reamer.



Drill not included.



MobilCLAMP	
Order No.	ZMC 200 N
Jaw Width	4" (100mm)
Clamping Range	4" (100mm)

ZMC 200 N includes ZMC 200 base, ZST 300 vise, (2 qty.) ZTN 100 screw and (2 qty.) ZSN 100 hexagon nut with collar

Drilling stand and vise for hand drills



Drill not included.

- Industrial drilling pillars for commercial hand drills with 43mm chuck journal diameter.
- Optimum stability by cast base plate combined with a pillar top of the MAB series.
- Versatile usability by a drill vise with 4" (100mm) jaw width (special accessories).
- Screws for slots are available for additional security under higher loads (special accessories).
- Working stroke of 9" - 17" (230 - 425mm).

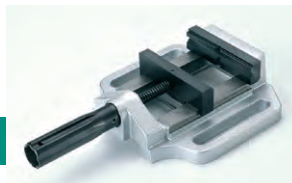
Magnetic Drilling Pillar

Order No. **MBS 300**

For hand drills with a 1-11/16" collar diameter and 7" stroke.



Drill not included.



Vise

Order No. **ZST 300**
 jaw width: 4" (100mm)
 clamping range: 4" (100mm)

Drilling Pillar

Order No. **ZBS 100**



Accessories

- Screws for T-Slots – Order No. **ZTN 100**
- Hexagon Nut with Collar – Order No. **ZSM 100**

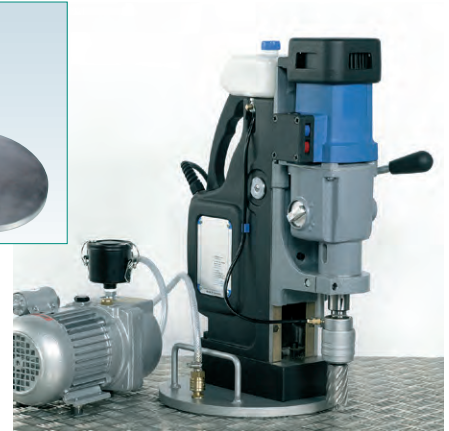
Vacuum Plates

For applications where drill alone will not adhere to surface

Vacuum Plate for Channeled Plates

Order No. **ZAV 301** (vacuum plate only)
 Order No. **ZAV 310** (vacuum plate and vacuum pump, 110V)

Ideal for channeled plates. High-performance vacuum pump with circular oil lubrication. Clamping plate diameter: 11.8"



Vacuum Plate for Smooth Surfaces

Order No. **ZAV 401** (vacuum plate only)
 Order No. **ZAV 410** (vacuum plate and vacuum pump, 110V)

Ideal for smooth surfaces. High-performance vacuum pump with circular oil lubrication. Clamping plates with two suction surfaces and cut-through drilling area.



Metal Chip Cleanup Tools

- Easily clean up sharp-edged drill chips, screws and other metal parts
- Ideal for hard-to-reach spaces

Power Cleaner – POW 200

Two-in-one tool for removing chips



- Hook pulls away metal swarf from drill
- Brush cleans fine chips



Power Worker – POW 100

Simple cleanup of metal chips

- Items are safely ejected off of Power Worker without hand contact
- Rare earth magnet cleans metal parts and shavings



Pipe Saddle Clamp System

Ensures safe, secure drilling of pipes and tubular material



Ideal for applications requiring the flexibility of clamping on pipes from 3-1/4" to 20" diameter. These pipe clamp systems are flexible and easy to use. Swivelling V-blocks fit the contour of the pipe while the heavy-duty tension chains securely affix the clamps to the piece being drilled. The drilling position can be easily and safely adjusted.



ZRO 250 Pipe Saddle Clamp System

Pipe diameters 3¹/₄" - 10"

Chain length: 35¹/₂"

If using on pipe larger than 10", need 1 qty. ZRO 001 extension chains.

For models: MABasic 200, MABasic 400, MABasic 450, MAB 455, MAB 465, MAB 485 and CSU 32RL



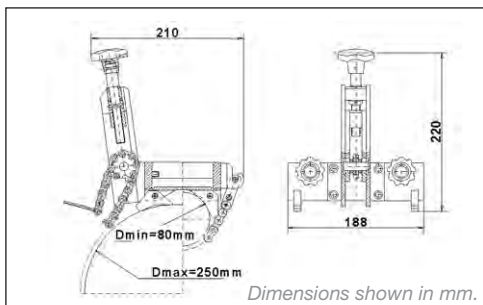
ZRO 500 Pipe Saddle Clamp System

Pipe diameters 6" - 20" (extension chain available)

Chain length: 65"

If using on pipe larger than 20", need 2 qty. ZRO 001 extension chains.

For models: MABasic 850, MAB 525, MAB 825, MAB 845, CSU 50 Series, CSU 100/3RL, AB-4300-2 and HB 4400



Order No. **ZRO 001** extension chain for ZRO 250 and ZRO 500 pipe saddle clamps. 35" length.

