

CS UNITEC, INC.

22 Harbor Avenue
Norwalk, CT 06850

Website: www.csunitec.com

Email: info@csunitec.com

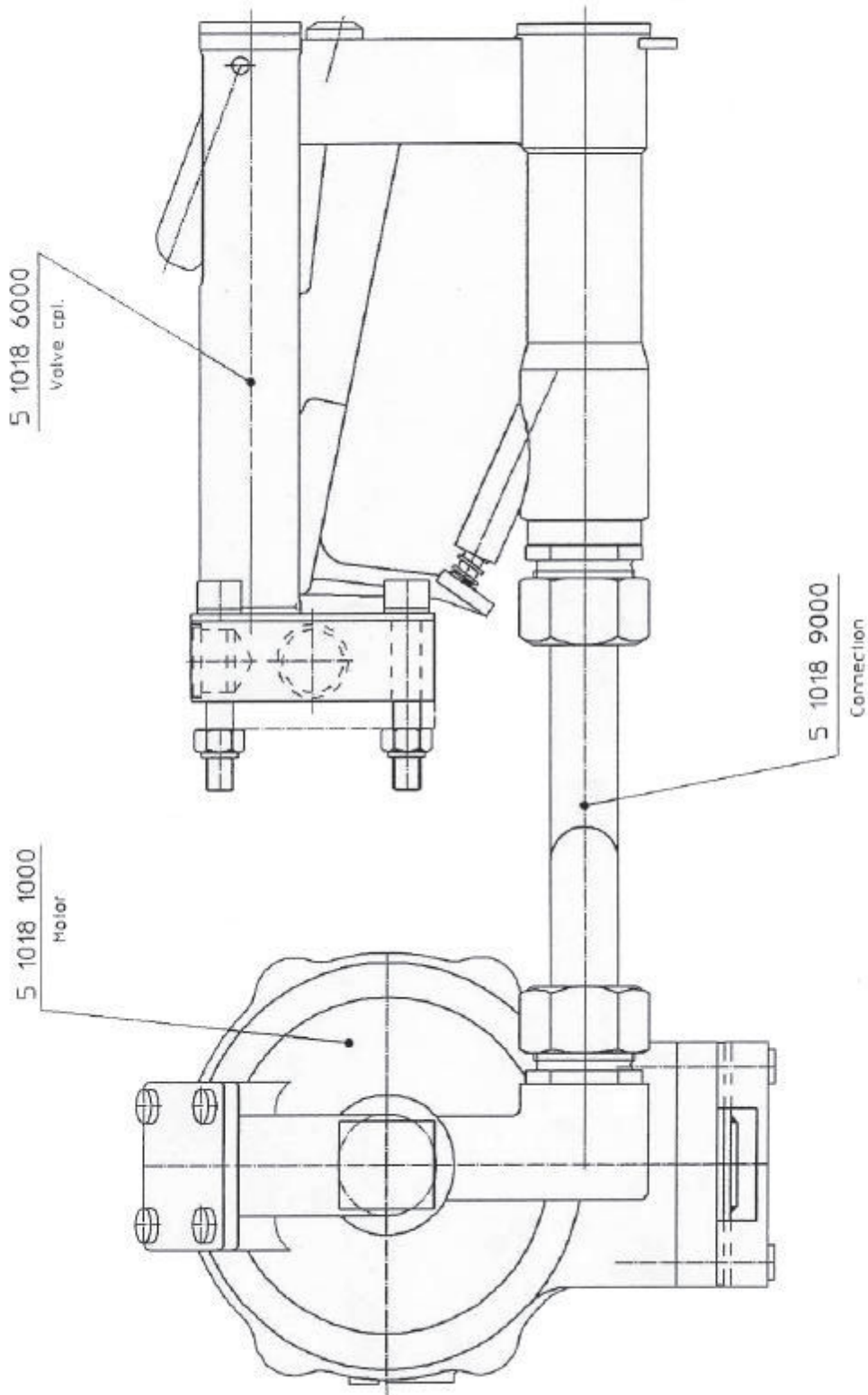
Pneumatic Concrete Chain Saw Schematic

CS 536163-1, CS 536163-2, CS 536163-3

CS 536163-PG2, CS 536163-PG3

CS 536664-1, CS 536664-2, CS 536664-3

CS 71773-1, CS 71773-2



CS UNITEC, INC.

22 Harbor Avenue
Norwalk, CT 06850

Website: www.csunitec.com

Email: info@csunitec.com

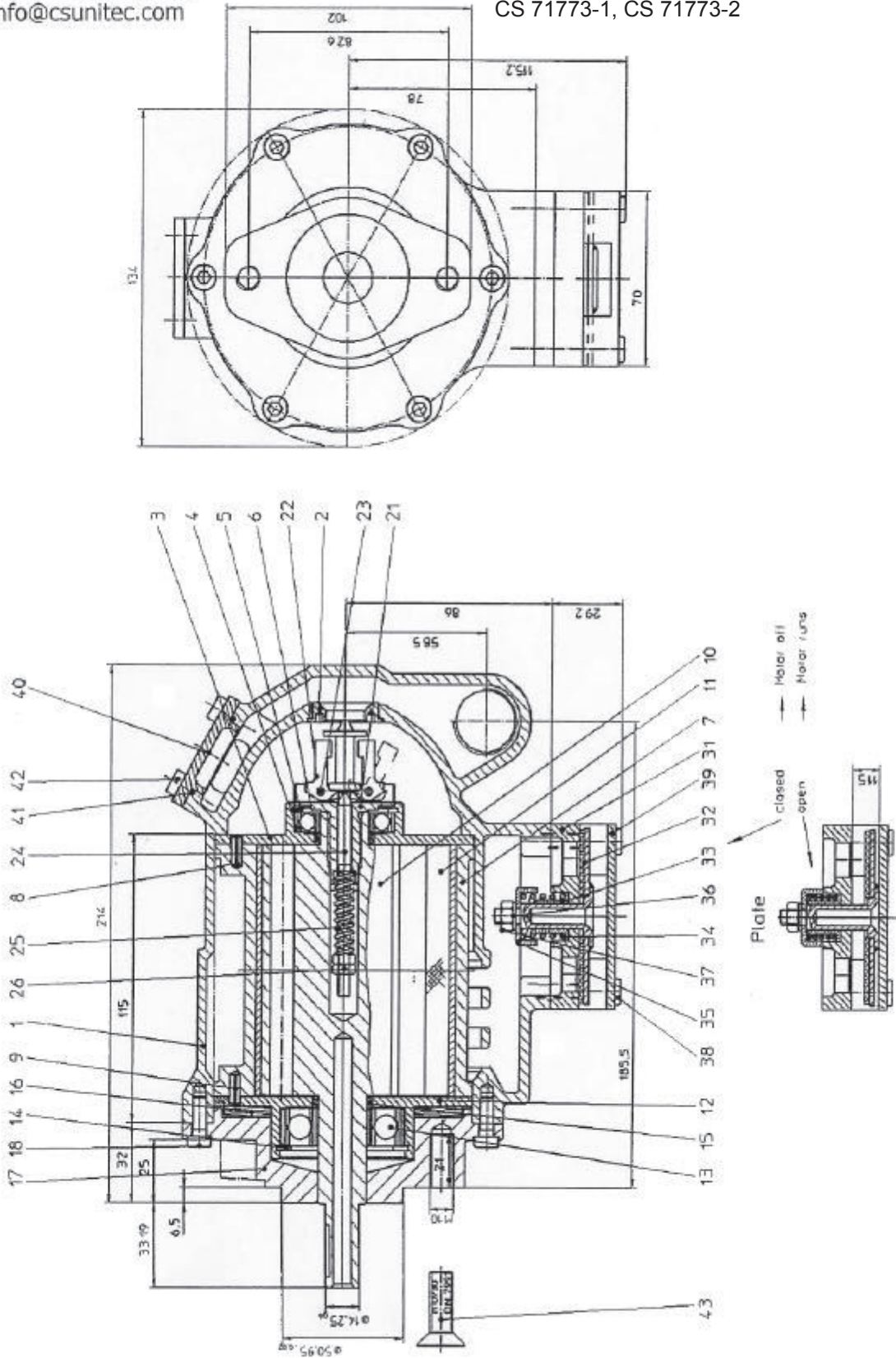
Pneumatic Concrete Chain Saw Schematic

CS 536163-1, CS 536163-2, CS 536163-3

CS 536163-PG2, CS 536163-PG3

CS 536664-1, CS 536664-2, CS 536664-3

CS 71773-1, CS 71773-2



CS UNITEC, INC.

22 Harbor Avenue
Norwalk, CT 06850

Website: www.csunitec.com

Email: info@csunitec.com

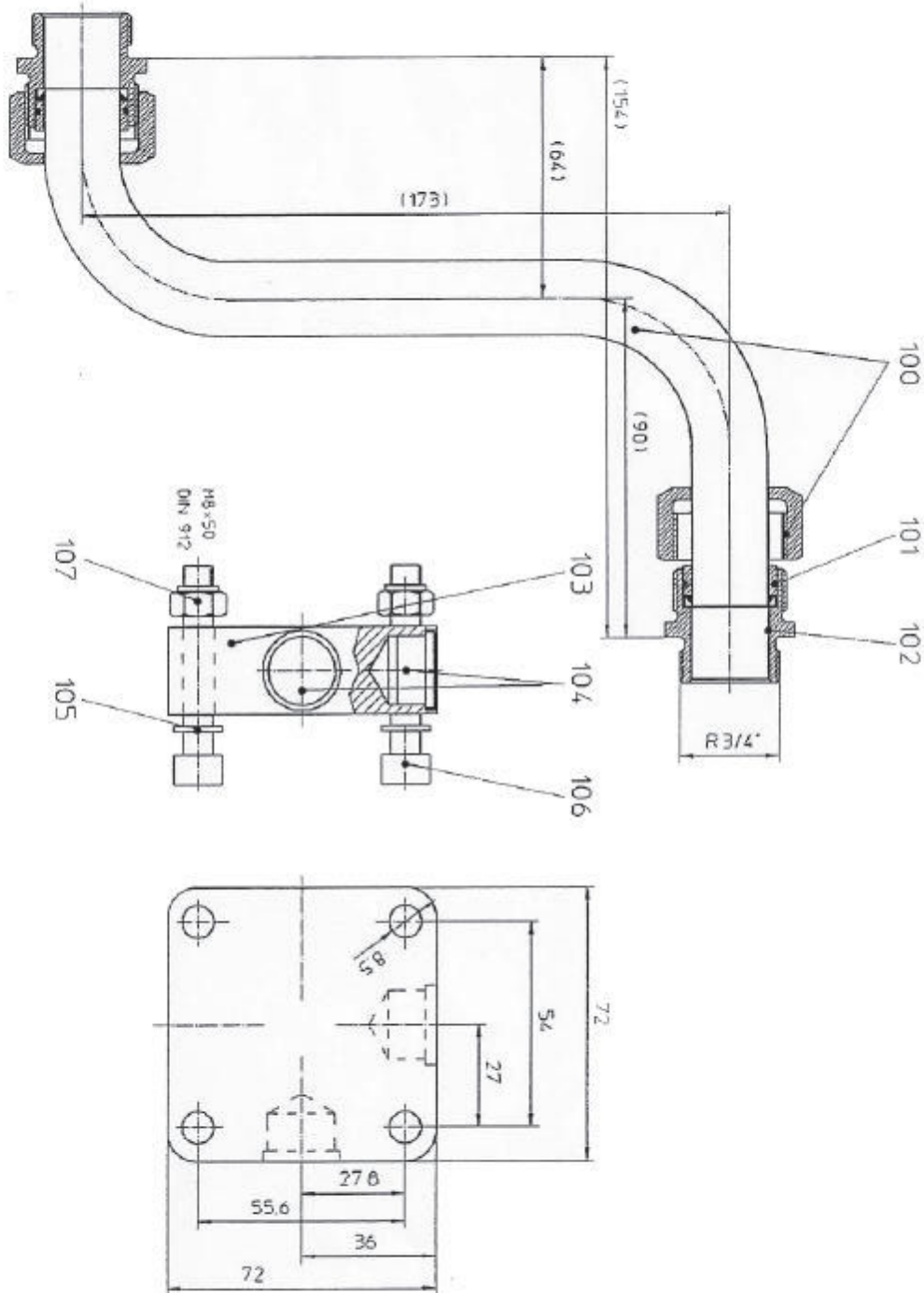
Pneumatic Concrete Chain Saw Schematic

CS 536163-1, CS 536163-2, CS 536163-3

CS 536163-PG2, CS 536163-PG3

CS 536664-1, CS 536664-2, CS 536664-3

CS 71773-1, CS 71773-2



CS UNITEC, INC.

22 Harbor Avenue
Norwalk, CT 06850

Website: www.csunitec.com

Email: info@csunitec.com

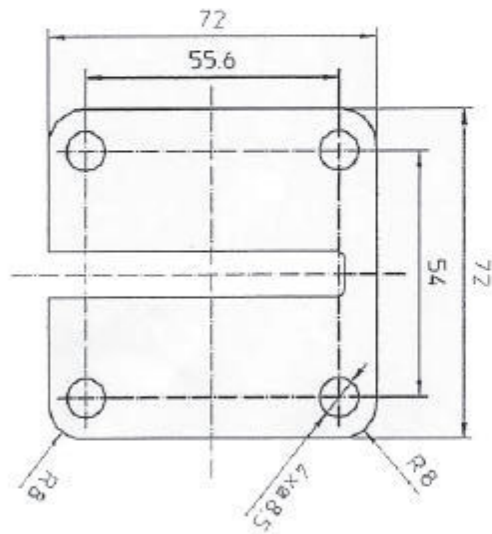
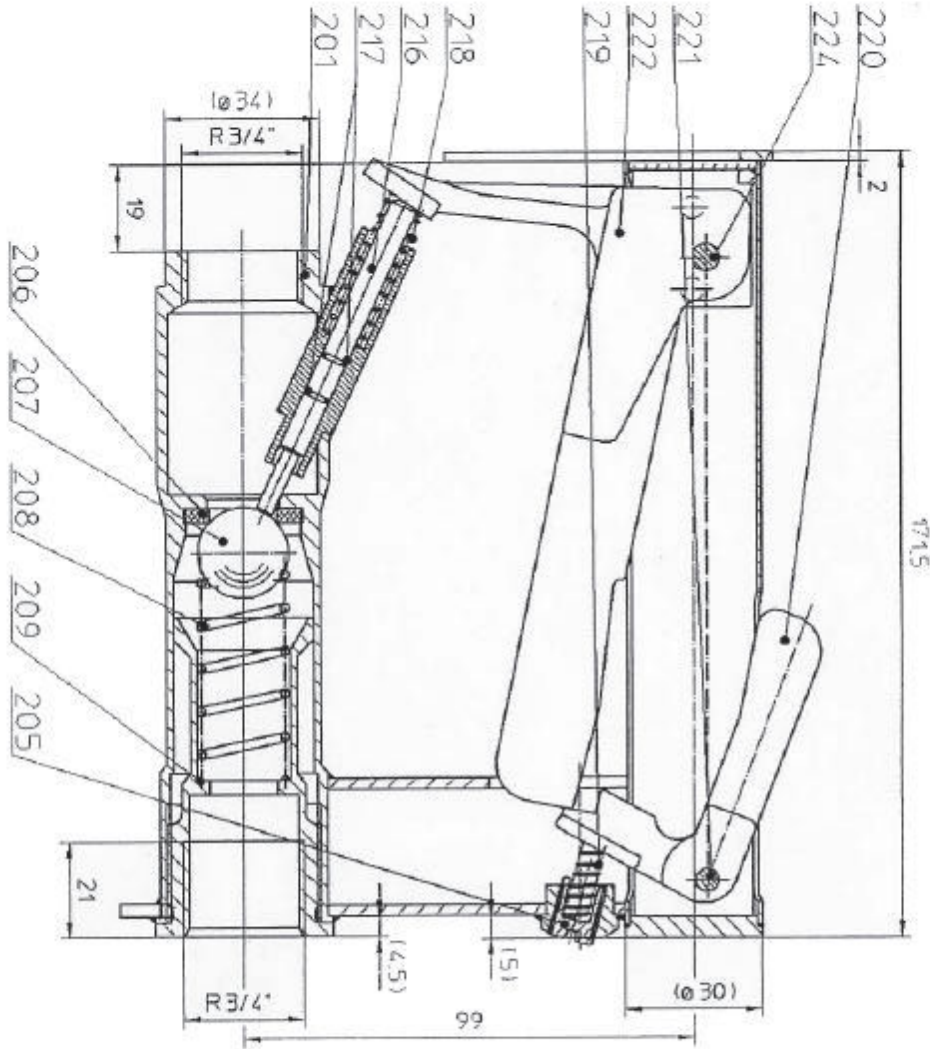
Pneumatic Concrete Chain Saw Schematic

CS 536163-1, CS 536163-2, CS 536163-3

CS 536163-PG2, CS 536163-PG3

CS 536664-1, CS 536664-2, CS 536664-3

CS 71773-1, CS 71773-2



CS UNITEC, INC.

22 Harbor Avenue
Norwalk, CT 06850

Website: www.csunitec.com

Email: info@csunitec.com

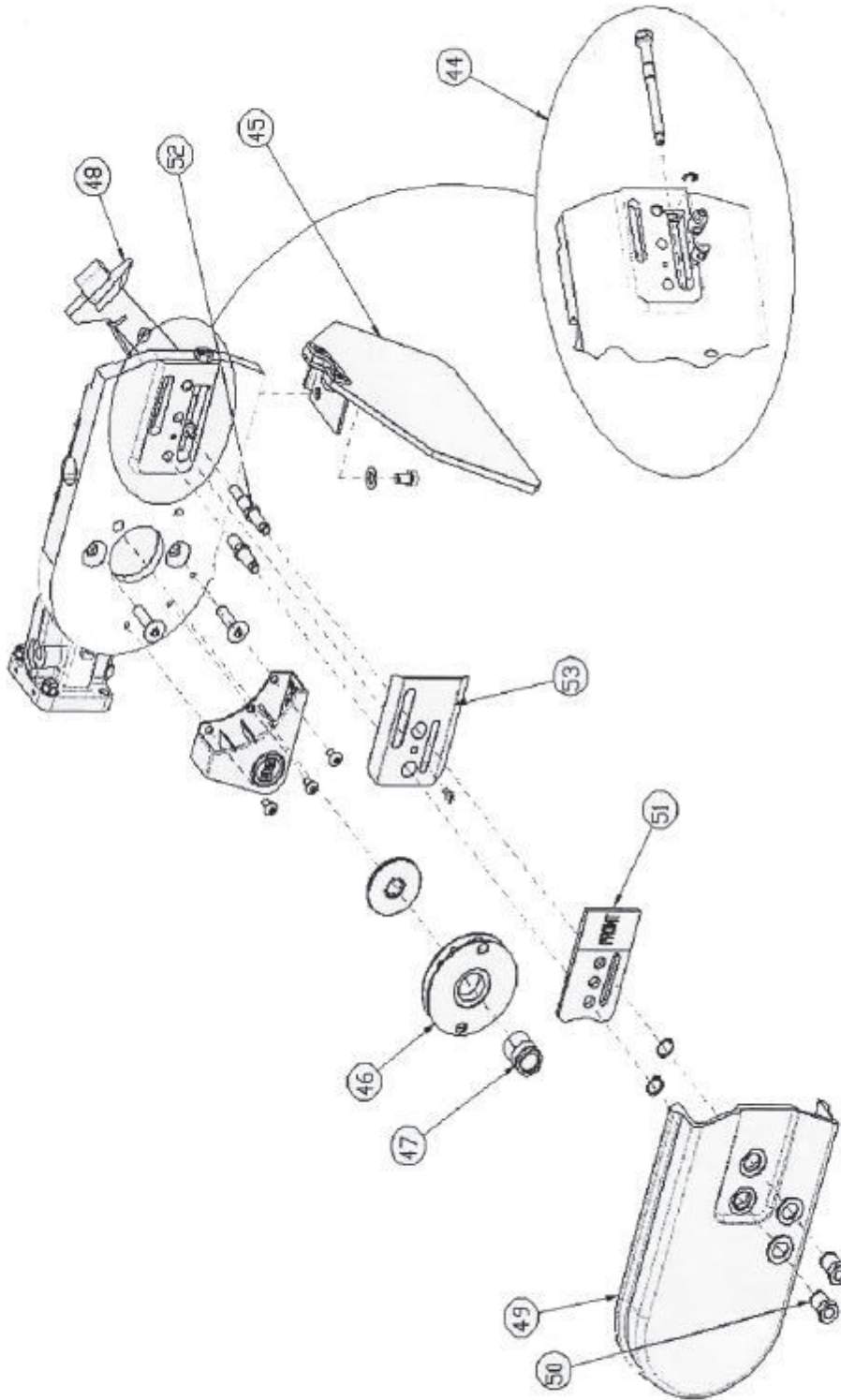
Pneumatic Concrete Chain Saw Schematic

CS 536163-1, CS 536163-2, CS 536163-3

CS 536163-PG2, CS 536163-PG3

CS 536664-1, CS 536664-2, CS 536664-3

CS 71773-1, CS 71773-2



Prices subject to change without notice.
 Not responsible for typographical errors.

<u>POS. NO.</u>	<u>ITEM NO.</u>	<u>DESCRIPTION</u>	
	5 1018 1700	Plate Complete	with Pos. 31 - 43
	5 1018 2000	Governor Complete	with Pos. 21 - 26
	5 1018 6000	Valve Complete	with Pos. 201 - 224
	5 1018 9000	CONNECTION	
18 + 42	9 1112 4020	Screw	4-30-33-064-06-6
6 + 15	1 2134 1090	Spacer	
8 + 9	9 1630 0620	Adapter Sleeve	
1	5 1018 1910	Motor Housing for CS 71773	
2	5 1018 2060	Screw	
3	5 1018 1100	End Plate	
4	9 1002 0030	Grooved Ball Bearing	
5	9 1703 0130	Snap Ring	
7	5 1018 1020	Cylinder Bushing	
10	5 1018 1030	Rotor	
11	5 1018 1050	Vane	
12	5 1018 1110	End Plate	
13	9 1005 0250	Grooved Ball Bearing	
14	9 1703 0240	Snap Ring	
16	9 1802 0600	Belleville Spring	
17	5 1018 1330	Motor Cover	
21	5 1018 2020	Segment	
22	2 1901 2030	Governor Weight	
23	9 1619 0150	Pin	3-13-05-268-00-4
24	2 1901 2040	Governor Pin	
25	9 1803 0340	Compression Spring	
26	9 1203 0030	Nut Hexagon	
31	5 1018 1770	Plate	
32	5 1018 1730	Silence Plate Complete	
33	5 1018 1780	Tube	
34	9 1803 4510	Compression Spring	
35	5 1018 1790	Block Cap	
36	9 3318 0020	Toothed Washer	
37	9 1210 0160	Nut	
38	9 1112 4140	Fillister Head Screw	
39	5 1018 1820	Safety Cover	
40	5 1017 3160	Cover	
41	9 1901 3130	O Ring	4-06-12-060-00-1
43	9 1113 7070	Counter Sunk Bol	
44	CS70636	Chain Tensioner Kit	
45	CS72408	Guard Flap Assembly	
46	CS71105	Sprocket Assembly	
47	CS70618	Trantorque Shaft Adaptor	
48	CS70641	Wallwalker (tm) Replacement	Kit
49	CS70990	Side Cover Replacement Kit	



Prices subject to change without notice.
Not responsible for typographical errors.

POS. NO.	ITEM NO.	DESCRIPTION
50	CS70639	Side Cover Retaining Nuts
51	CS70628	Bar Retaining Plate
100	5 1018 3400	Tube
101	9 1901 2270	O-Ring
102	9 2205 1760	Nipple
103	5 1018 6900	Level
104	9 3318 0070	Washer, Toothed
106	9 1110 5070	Fillister Head Screw
107	9 1210 0010	Nut
201	5 1018 6210	Valve
205	9 1171 9460	Bolt
206	9 1903 0990	Sealing Ring
207	9 1017 0070	Ball
208	9 1803 3490	Spring
209	5 1018 3150	Valve Insert
216	9 1637 2160	Valve Lifter
217	9 1901 2210	O-Ring
218	9 1803 3990	Compression Spring
219	9 1803 3980	Compression Spring
220	5 1023 6040	Pawl
221	9 1641 0030	Double Notched
222	5 1023 3030	Valve Lever
224	9 1641 0040	Double Notched

3-13-05-203-00-3
REPLACES OLD # 9 1803 0730