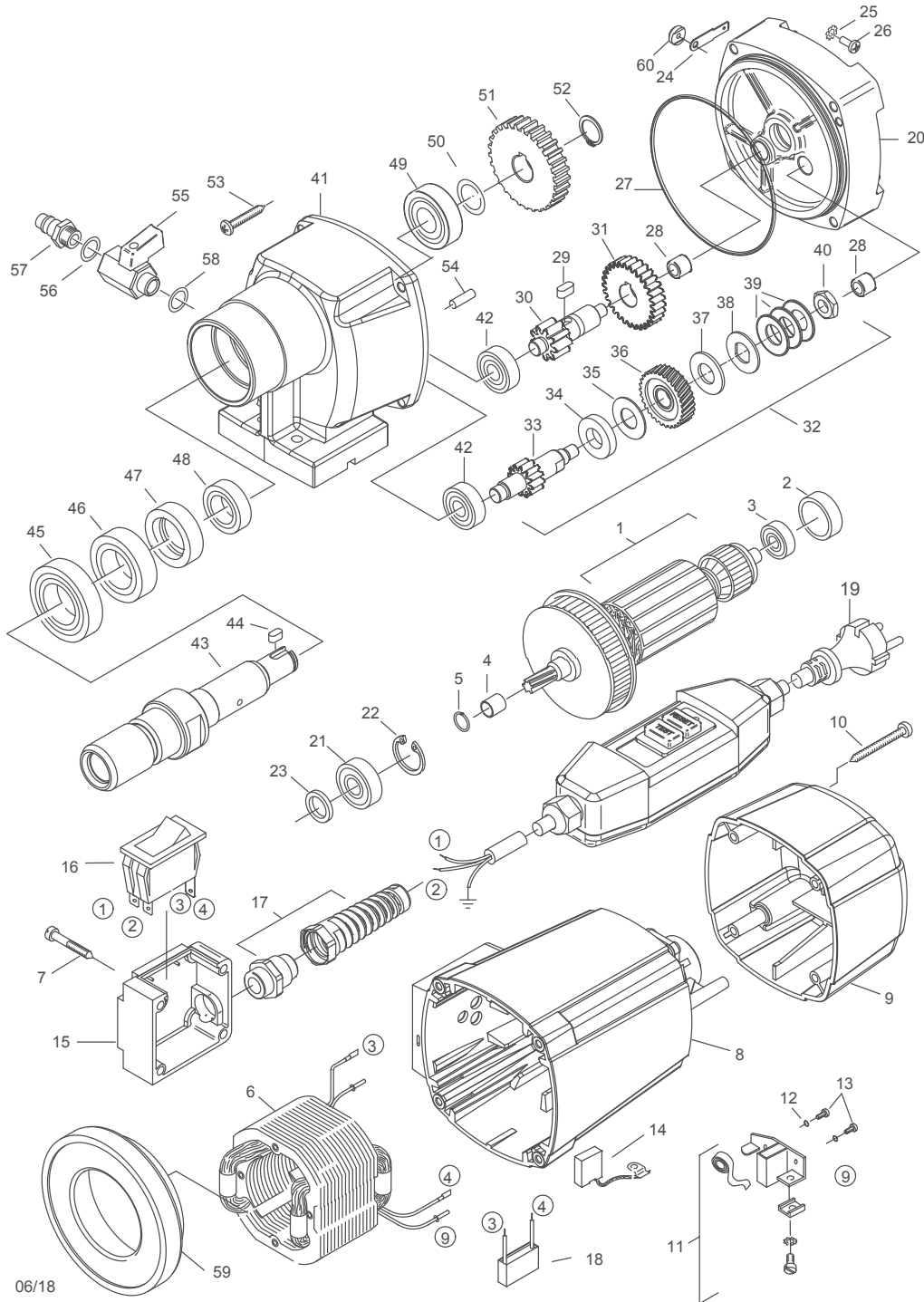


PLEASE SPECIFY TOOL MODEL # WHEN ORDERING PARTS

PARTS BREAKDOWN	Model #: DBE 200	Bulletin #: 06-2018
PARTS LISTING	Description: Diamond Concrete Core Drill	Prepared By: JN
	Date: 12/10/2019	

DBE 200 MOTOR BREAKDOWN



PLEASE SPECIFY TOOL MODEL # WHEN ORDERING PARTS

PARTS BREAKDOWN	Model #: DBE 200	Bulletin #: 06-2018
PARTS LISTING	Description: Diamond Concrete Core Drill	Prepared By: JN
	Date: 12/10/2019	

DBE 200 MOTOR PARTS LIST

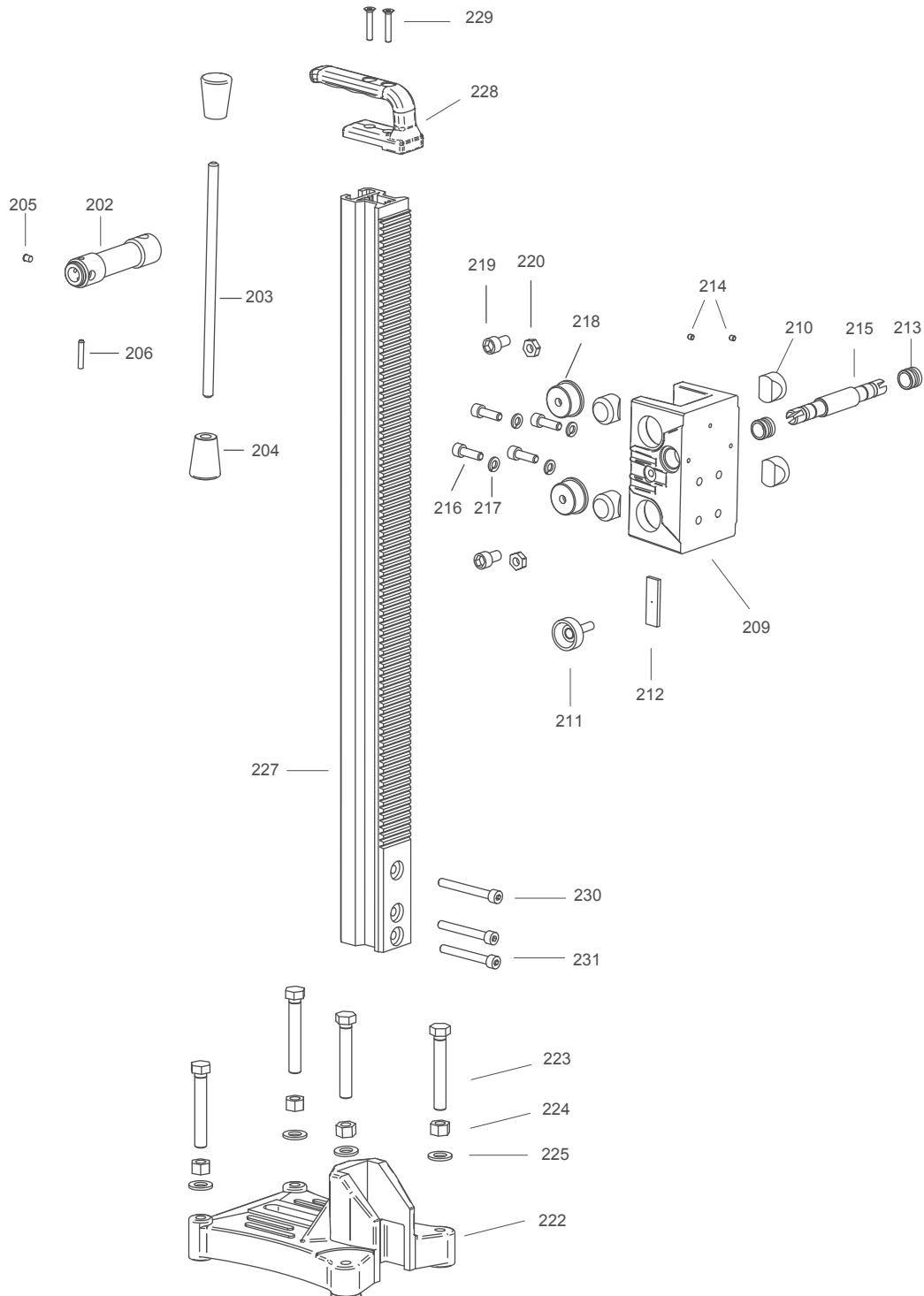
Pos. #	Part #	Description
1	73632100	rotor complete
2	83000031	bearing cap
3	80410021	grooved ball bearing 6000 2Z
4	80420160	bearing ring 12x15x12,5
5	80200748	circlip SW 12
6	73632150	stator complete
7	80201292	self tapping screw HC 5,5x38
8	7B33E201	motor housing
9	674E1001	cap
10	80201267	self tapping screw HC 4,8x45
11	80201199	brush holder
12	80201385	lock washer B4
13	80201180	self tapping screw CM4x12
14	80700040	carbon brush 6,3x16x20L41F13
15	73511630	switch box
16	80600137	switch 18 A
17	80600179	cable guard M20x1,5
18	80500010	anti parasite condenser
19	7B337262	connecting cable
20	7B334610	end shield of gearing
21	80410101	grooved ball bearing 6201 LUZ
22	80201351	locking ring 32x1,2
23	83000042	shaft seal ring 15x21x3 KEIV
24	80601189	earth connector
25	80200752	tooth lock washer A4,3
26	80201451	allen screw M4x8
27	83000092	o-ring 106x2
28	80420110	needle sleeve HK 0810
29	80200600	fitting key 5x5x10
30	73311500	intermediate shaft
31	7B336470	intermediate wheel
32	7B336493	clutch complete
33	7B336490	intermediate shaft 1

Pos. #	Part #	Description
34	7B334499	pressure washer
35	73331499	brass washer
36	7B334550	clutch wheel
37	7332L499	brass washer
38	73331496	driving washer
39	80200716	spring washer 28x14,2x1,5
40	80201007	hexagonal nut BM10/1
41	7B334400	gearbox housing
42	80410020	grooved ball bearing 6000
43	73430420	work spindle
44	73430496	fitting key 6x6x11
45	80410151	grooved ball bearing 6205 2RS
46	83000072	shaft seal ring WASY24x47x7
47	83000076	shaft seal ring WASY24x40x7
48	83000162	shaft seal ring WASY24x33x5
49	80410130	grooved ball bearing 6203 2RS
50	80200507	fitting washer 17/24x0,2
51	73311430	spindle wheel
52	80201323	locking ring 17/1
53	80201298	self tapping screw HC 5,5x70
54	80200580	notched pin plug 5x16
55	83000143	mini ball valve
56	83000107	seal ring 1/4"
57	83000124	connecting piece
58	83000176	o-ring 12x2,5
59	73511141	air guiding ring
60	73631188	locking nut M4

PLEASE SPECIFY TOOL MODEL # WHEN ORDERING PARTS

PARTS BREAKDOWN	Model #: DBE 200	Bulletin #: 06-2018
PARTS LISTING	Description: Diamond Concrete Core Drill	Prepared By: JN
	Date: 12/10/2019	

DBE 200 STAND BREAKDOWN



PLEASE SPECIFY TOOL MODEL # WHEN ORDERING PARTS

PARTS BREAKDOWN	Model #: DBE 200	Bulletin #: 06-2018
PARTS LISTING	Description: Diamond Concrete Core Drill	Prepared By: JN
	Date: 12/10/2019	

DBE 200 STAND PARTS LIST

Pos. #	Part #	Description
202	796UN740	turnstile
203	796UN746	lever Ø 10
204	85000193	grooved taper pin
205	85000157	spring loaded thrust pad
206	80200627	cylinder pin 5x30
209	796UN791	machine holder
210	796UN763	thrust piece
211	85000158	knurled screw M8x25
212	796UN779	flat clamp small
213	796UN770	steel bush
214	80200758	threaded pin M5x5
215	796UN730	pinion shaft
216	80201145	screw M8x25
217	80201309	lock washer A8
218	796DE766	fitting
219	80201453	screw M10x18
220	80201039	hexagonal nut M10
222	796UN886	base
223	80201118	hexagon screw M12x80
224	80201014	hexagonal nut M12
225	80201381	washer 13
227	796UN753	column 790 mm
228	796DE814	sliding block
229	80201148	thread sleeve M6x30
230	80201167	screw M8x70
231	80201114	screw M8x65