

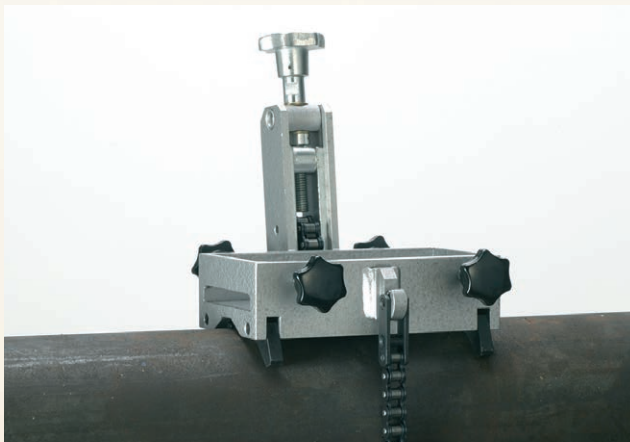
Pipe Saddle Clamp System

Ensures safe, secure drilling of pipes and tubular material



Ideal for applications requiring the flexibility of clamping on pipes from 3-1/4" to 20" diameter. These pipe clamp systems are flexible and easy to use. Swivelling V-blocks fit the contour of the pipe while the heavy-duty tension chains securely affix the clamps to the piece being drilled. The drilling position can be easily and safely adjusted.

PIPE SADDLE CLAMP



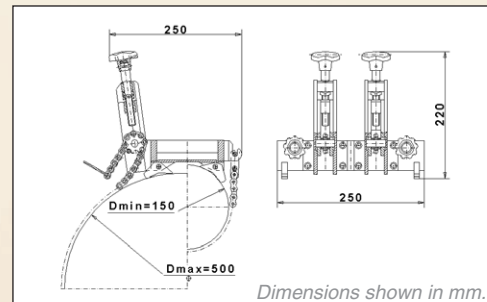
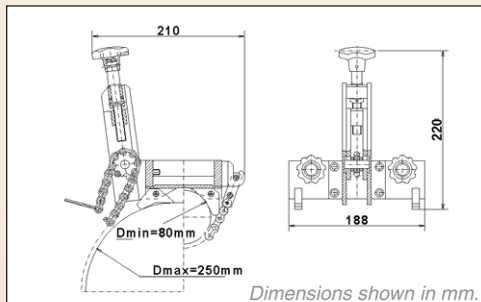
ZRO 250 Pipe Saddle Clamp System

Pipe diameters 3¹/₄" - 10"
Chain length: 35¹/₂"
For models: MABasic 200, MABasic 400, MABasic 450, MAB 455, MAB 485 and CSU 32RL



ZRO 500 Pipe Saddle Clamp System

Pipe diameters 6" - 20" (extension chain available)
Chain length: 65"
For models: MAB 525, MAB 825, MAB 845, CSU 50 Series, CSU 100/3RL, AB-4300-2 and HB 4400



Order No. **ZRO 001** – extension chain for ZRO 500 pipe saddle clamp.