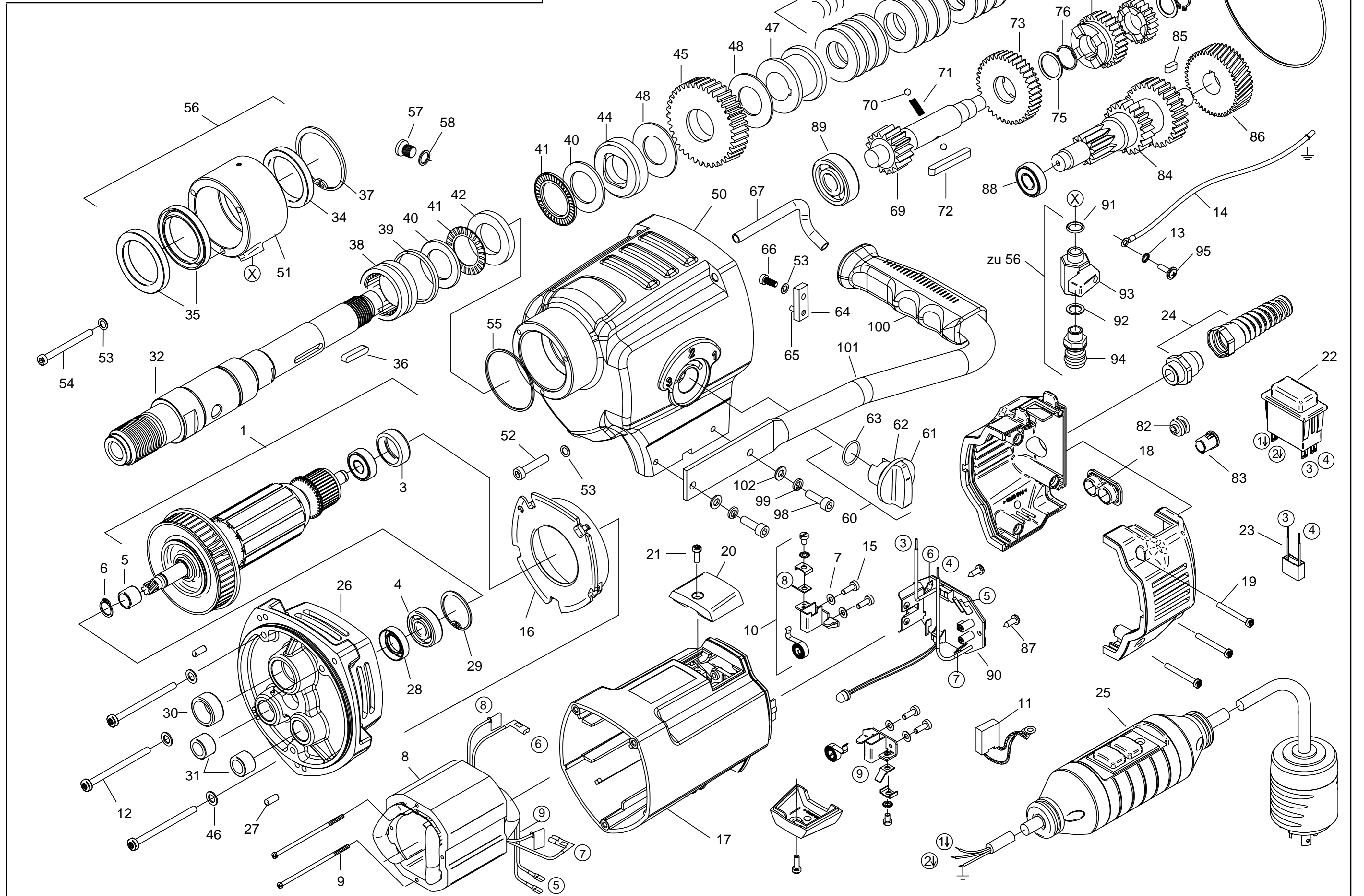


EBM 352/3P
CORE DRILL MOTOR





CS Unitec - EBM 352/3P Drill Motor

| No. | Description | Order No. | Pcs |
|-----|---------------------------------|-----------|-----|
| 1 | rotor complete | 73632100 | 1 |
| 2 | | | |
| 3 | bearing cap | 83000031 | 1 |
| 4 | grooved ball bearing 6201 RSZ | 80410101 | 1 |
| 5 | bearing ring 12x15x12,5 | 80420160 | 1 |
| 6 | locking ring 12/1 | 80201321 | 1 |
| 7 | lock washer B4 | 80201385 | 4 |
| 8 | stator complete | 73643150 | 1 |
| 9 | special screw Meplast 78x3 | 80201234 | 2 |
| 10 | brush holder | 80201199 | 2 |
| 11 | pair of brushes 6,3x16x20L41F13 | 80700040 | 2 |
| 12 | pt-screw 50x70/25 | 80201434 | 3 |
| 13 | tooth lock washer A4,3 | 80200752 | 1 |
| 14 | ground wire | 73E33185 | 1 |
| 15 | self tapping screw ZM4x12 | 80201180 | 4 |
| 16 | air guiding ring | 73641145 | 1 |
| 17 | motor housing black | 73E31200 | 1 |
| 18 | cap complete | 7364424U | 1 |
| 19 | pt-screw 40x35 | 80201404 | 3 |
| 20 | cover pair | 73E3121U | 1 |
| 21 | pt-screw 40x12 | 80201413 | 2 |
| 22 | switch 18 A | 80600137 | 1 |
| 23 | anti parasite condenser | 80500010 | 1 |
| 24 | cable guard M20x1,5 | 80600179 | 1 |
| 25 | connecting cable | 7B336262 | 1 |
| 26 | end shield of gearing green | 73641610 | 1 |
| 27 | cylinder pin 5m6x14 | 80200579 | 2 |
| 28 | shaft seal ring 15x28x7 | 83000230 | 1 |
| 29 | locking ring 32x1,2 | 80201351 | 1 |
| 30 | needle sleeve HK 2012 | 80420150 | 1 |
| 31 | needle sleeve HK 1212 | 80420130 | 2 |
| 32 | work spindle | 73533420 | 1 |
| 33 | o ring 12x2 | 83000214 | 1 |
| 34 | shaft seal ring 40x52x7 | 83000073 | 1 |
| 35 | shaft seal ring 40x55x7 | 83000074 | 2 |
| 36 | fitting key A6x6x32 | 80200607 | 1 |
| 37 | locking ring J 52 | 80201392 | 1 |
| 38 | needle bearing NK S 37 | 80420155 | 1 |
| 39 | steel ring | 73531450 | 1 |
| 40 | rotor complete LS 3047 | 80420165 | 2 |
| 41 | axial needle bearing AXK3047A | 80420038 | 2 |
| 42 | intermediate disc ZS3151 | 80420168 | 1 |
| 43 | spring washer 50x25,4x3 | 80200717 | 12 |
| 44 | supporting disc | 73531425 | 1 |
| 45 | spindle wheel | 73533430 | 1 |
| 46 | sealing washer | 80200999 | 3 |
| 47 | thrust sleeve | 73531423 | 1 |
| 48 | braking disk | 85000076 | 2 |
| 49 | hexagonal nut M24x1,5 | 73531429 | 1 |
| 50 | gearbox housing black | 73641400 | 1 |
| 51 | connecting ring | 73641410 | 1 |

| No. | Description | Order No. | Pcs |
|-----|------------------------------|-----------|-----|
| 52 | allen screw M6x30 | 80201429 | 3 |
| 53 | lock washer S6 | 80201362 | 7 |
| 54 | allen screw M5x55 | 80201211 | 3 |
| 55 | o ring 50,52x1,78 | 83000080 | 1 |
| 56 | connecting ring, premounted | 7364141U | 1 |
| 57 | cap screw 1/8" | 80201406 | 1 |
| 58 | seal ring 1/8" | 83000106 | 1 |
| 59 | | | |
| 60 | switching complete | 73641545 | 1 |
| 61 | switch button | 73641540 | 1 |
| 62 | cylinder pin 4m6x12 | 80200578 | 1 |
| 63 | o ring 18,77x1,75 | 83000081 | 1 |
| 64 | gear lever | 73631542 | 1 |
| 65 | cylinder pin 5m6x18 | 80200619 | 1 |
| 66 | screw M5x12 | 80201230 | 1 |
| 67 | oil tube | 73631425 | 1 |
| 68 | | | |
| 69 | pinion shaft | 73533490 | 1 |
| 70 | ball Ø5 | 80410081 | 2 |
| 71 | compression spring D079 | 80200694 | 1 |
| 72 | fitting key 6x6x50 | 80200610 | 1 |
| 73 | loose wheel | 73631460 | 1 |
| 74 | | | |
| 75 | fitting washer 20/24,5x1 | 73531494 | 1 |
| 76 | circlip SW 20 | 80200749 | 1 |
| 77 | switch-actuating wheel | 73631550 | 1 |
| 78 | loose wheel | 73631470 | 1 |
| 79 | | | |
| 80 | fitting washer 16/22x1 | 80200514 | 1 |
| 81 | locking ring 16/1 | 80201316 | 1 |
| 82 | plug | 80900202 | 1 |
| 83 | fastener | 80601153 | 1 |
| 84 | countershaft | 73631500 | 1 |
| 85 | fitting key 5x5x10 | 80200600 | 1 |
| 86 | intermediate wheel | 73631440 | 1 |
| 87 | self tapping screw HC 4,2x13 | 80201270 | 2 |
| 88 | grooved ball bearing 6001 2Z | 80410031 | 1 |
| 89 | grooved ball bearing 6302 | 80410160 | 1 |
| 90 | PCB / circuit board | 73643280 | 1 |
| 91 | o ring 12x2,5 | 83000176 | 1 |
| 92 | seal ring 1/4" | 83000107 | 1 |
| 93 | mini ball valve | 83000143 | 1 |
| 94 | connecting piece | 83000124 | 1 |
| 95 | lens head screw M4x5 | 80201448 | 1 |
| 96 | | | |
| 97 | | | |
| 98 | allen screw M6x20 | 80201124 | 2 |
| 99 | lock washer A6 | 80201303 | 2 |
| 100 | rubber handle | 83000006 | 1 |
| 101 | tube handle | 73735591 | 1 |
| 102 | disc 6,4 | 80201375 | 2 |

CS Unitec, Inc
22 Harbor Ave
Norwalk, CT 06850

Phone: (203) 853 9522
Fax: (203) 852-9921
Email: info@csunitec.com