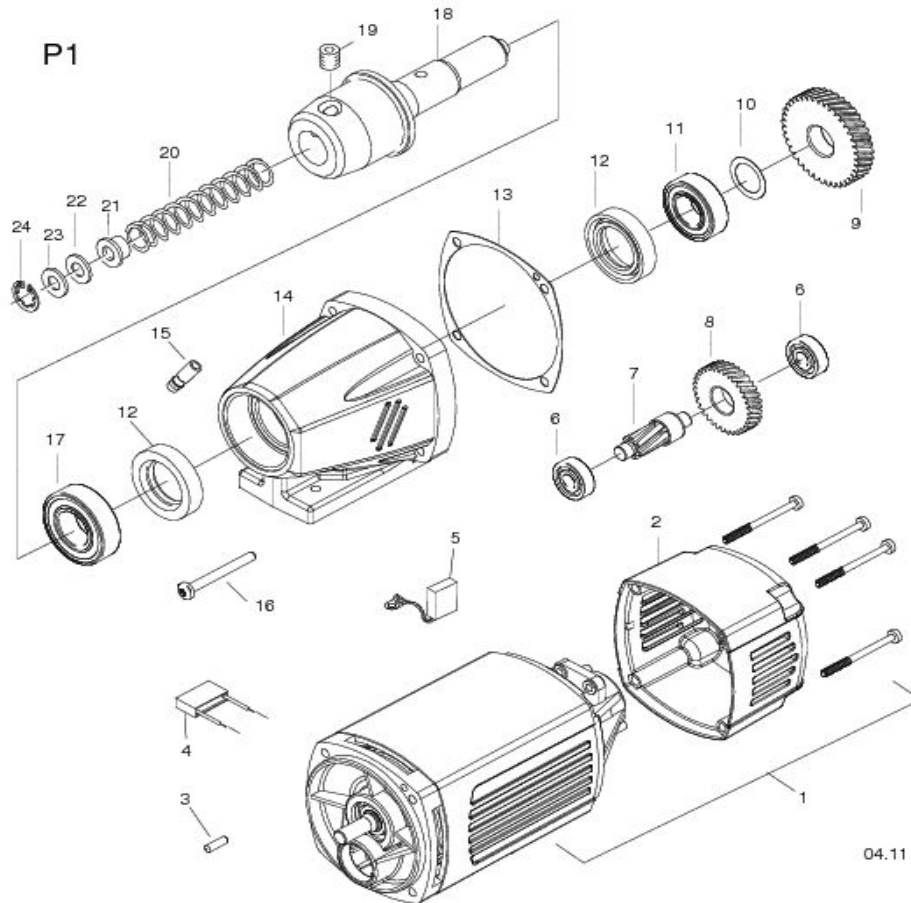


PLEASE SPECIFY TOOL MODEL # WHEN ORDERING PARTS

PARTS BREAKDOWN PARTS LISTINGS WIRING DIAGRAM	Model #: P1	Bulletin #: 1
	Description: Portable Magnetic Drill	Prepared by: SCW
	Date: 11/1/2011	www.csunitec.com

P1 MOTOR & DRAWING

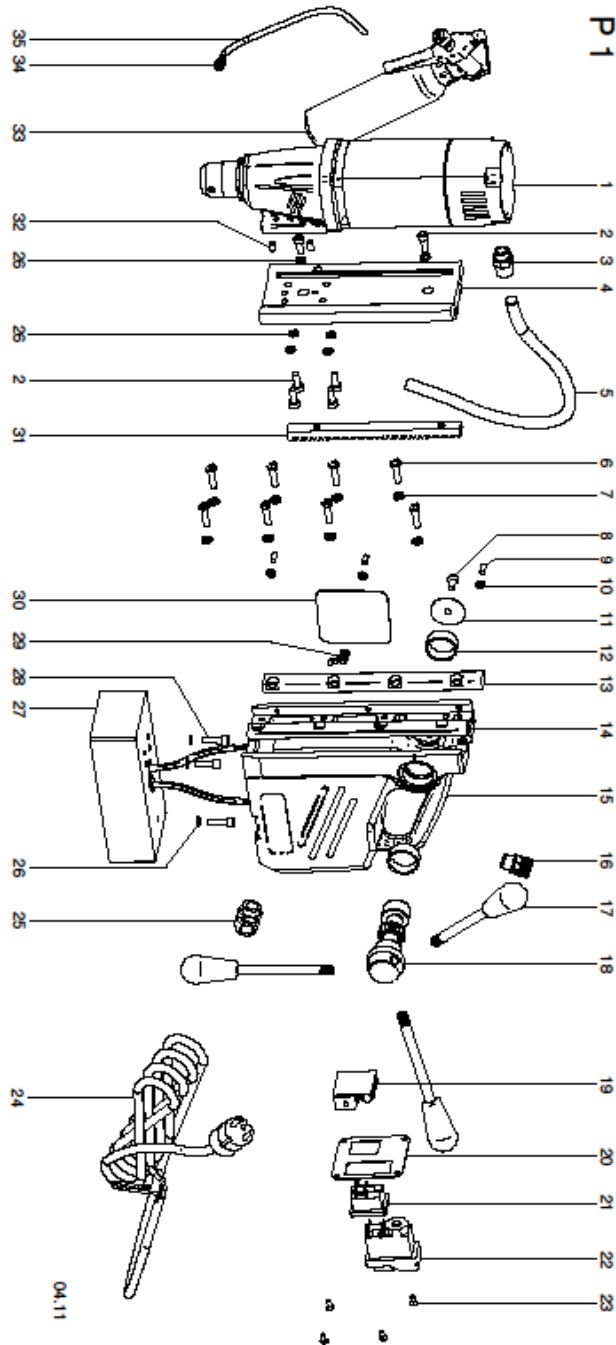


Pos. #	Part #	Description
1	50 1462 1	Motor compl. without gear
2	50 1463 1	Cap for motor PG 9
3	50 1029 1	Pin 4x12
4	50 1279 1	Decoupling capacitor
5	50 1057 1	Carbon brush compl. 6,3x10x18
6	50 1007 1	Ball bearing 608
7	50 1465 1	Gear shaft
8	50 1010 1	Intermedium gear wheel
9	50 1466 1	Gear wheel
10	50 1005 1	Washer 17/24x0,2
11	50 1024 1	Ball bearing 6003 2RS
12	50 1246 1	Shaft seal 19x32x7

Pos. #	Part #	Description
13	50 1464 1	Gear box seal
14	50 1467 1	Gear box case
15	ZSS 200N	Cooling fluid connection
16	50 1022 1	Screw 4,8x38
17	50 1247 1	Ball bearing 6004 2RS
18	50 1243 1	Spindle
19	60 1018 1	Set screw M8x8
20	50 1468 1	Pressure spring
21	50 1469 1	Spring holder
22	50 1470 1	Rubber ring
23	50 1471 1	Disc
24	60 1016 1	Circlip ring JK19/1

PLEASE SPECIFY TOOL MODEL # WHEN ORDERING PARTS		
PARTS BREAKDOWN PARTS LISTINGS WIRING DIAGRAM	Model #: P1	Bulletin #: 1
	Description: Portable Magnetic Drill	Prepared by: SCW
	Date: 11/1/2011	www.csunitec.com

P1 STAND



PLEASE SPECIFY TOOL MODEL # WHEN ORDERING PARTS

PARTS BREAKDOWN PARTS LISTINGS WIRING DIAGRAM	Model #: P1	Bulletin #: 1
	Description: Portable Magnetic Drill	Prepared by: SCW
	Date: 11/1/2011	www.csunitec.com

P1 STAND

Pos. #	Part #	Description
1	30 0300 1	Motor compl. P1 230V with gear
1.1	30 0310 1	Motor compl. P1 110V with gear
2	60 1001 1	Screw DIN912 M6x16
3	60 1213 1	Gland PG 9
4	40 0025 1	Slide
5	70 1000 1	Cable protection tube
6	60 5014 1	Screw DIN7984 M6x25
7	60 1344 1	Disc DIN433-6,4
8	60 1023 1	Screw DIN966 M6x16
9	60 1004 1	Fixing screw DIN913 M5x12
10	60 1003 1	Nut DIN934 M5
11	60 0012 1	Disc for gear shaft
12	30 2000 5	Slide bush 32x28
13	60 1225 1	Guide rail I
14	60 1226 1	Guide rail II
15	30 2000 1	Housing
16	70 1002 1	Gland PG9
17	60 1024 3	Handle rod with knob
18	40 1018 1	Gear shaft
19	70 1081 2	PC board 230V / 110V
20	70 1181 1	Front plate
21	70 1014 2	Magnet switch
22	70 1080 1	Motor switch 230V
22.1	70 1093 1	Motor switch 110V
23	70 1008 1	Screw DIN966 M4x6
24	70 1004 2	Connection cable 230V
24.1	70 1024 2	Connection cable US 120V
24.2	70 1005 2	Connection cable GB 110V
25	70 5001 1	Gland PG 11
26	60 1002 1	Circlip DIN7980-6-Fst
27	60 1005 2	Magnet (electric)
28	60 1009 1	Screw DIN912 M6x20
29	70 1006 1	Earthing complete
30	70 1178 1	Side plate
31	60 1008 1	Tooth rack
32	40 0010 1	Pin ISO2338-6 m6-10
33	ZKP 100	Cutting oil tank
34	ZSS 200 K	Quick change couplin
35	30 2000 2	Cooling tube

PLEASE SPECIFY TOOL MODEL # WHEN ORDERING PARTS

PARTS BREAKDOWN PARTS LISTINGS WIRING DIAGRAM	Model #: P1	Bulletin #: 1
	Description: Portable Magnetic Drill	Prepared by: SCW
	Date: 11/1/2011	www.csunitec.com

WIRING DIAGRAM

