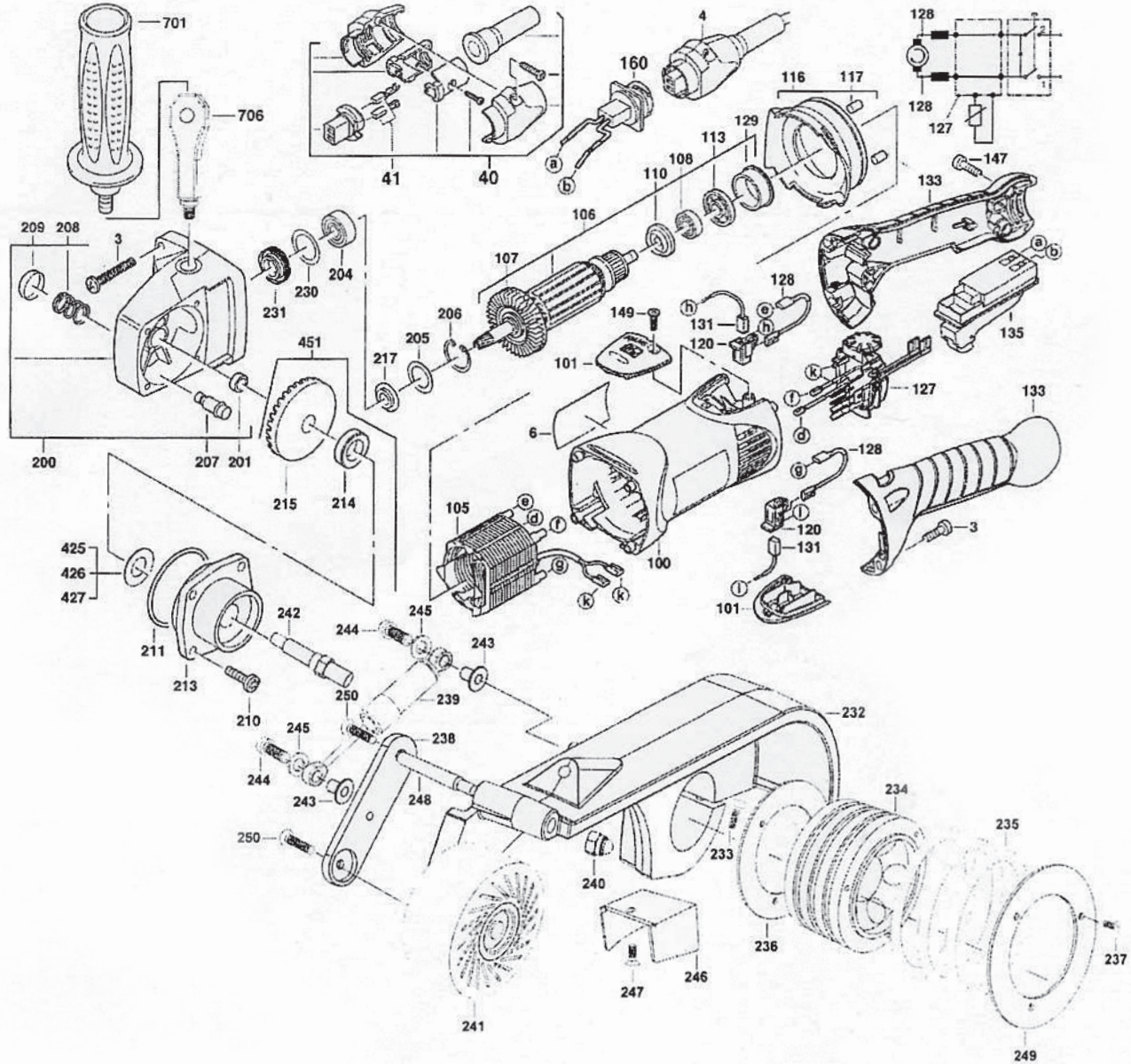


# PIPE-MAX



Typ 1.600 - 220 V + 110 V



## CS UNITEC, INC.

22 Harbor Avenue • Norwalk, CT 06850  
Toll-Free: 800-700-5919 • 203-853-9522

[www.csunitec.com](http://www.csunitec.com)

## Typ 1.600 - 220 V + 110 V

### 220 volts version:

Pos.	Art.-No.	Description	Pos.	Art.-No.	Description
003	52003-3	Screw	210	52210	Screw
004	52004-3	QUICK-LOCK cable 4,0m	211	52211	Spacer
100	52100-3	plastic case	213	52213	Bearing shield
101	52101-3	Service case cover	214	52214-3	Spacer ring
105	52105-3	Magnetic field	215	52215-3	Crown wheel
106	52106	Armature with pinion	217	52217	Sealing ring
107	52107	Fan	230	52230	Washer
108	52108	Ball bearing	231	52231-3	Nut
110	52110	Sealing ring	232	55001	Aluminium cast part
113	52113	Magnetic ring	233	55002	Screw M6
116	52116-3	Flange	234	55003	Guide wheel
117	52117	Spacer rings	235	55004	Rubber O-ring
120	52120-3	Carbon brush holder	236	55005	VA-guide washer (inside)
127	52127-3	Electronic unit	237	55006	Countersunk head screw M4
128	52128	Cable	238	55007	Swivel arm for elastic roller
129	52129	Bearing cover	239	55012	Gas pressure damper
131	52131	Carbon brush	240	55013	Self-locking nut M6
133	52133-3	Ergo-grip	241	55015	Elastic roller incl. ball bearing
135	52135-3	Switch	242	52212v	Spindle
147	52003-3	Screw	243	55017	Nut
149	52149-3	Screw	244	55018	Cylinder head screw
160	52160-3	Cable connection	245	55019	Washer
200	52200-3	Gear box	246	55020	Belt guide piece
201	52201	Sleeve	247	55021	Screw
204	52204	Ball bearing	248	55022	Headless pin
205	52205	Washer	249	55023	VA-guide washer (outside)
206	52206	Locking ring	250	55024	Countersunk screw
207	52207	Locking pin	701	52700	Handle with foam M8x50
208	52208	Compressing spring	706	52710	Adjustable angled handle piece
209	52209	Push button			

### 110 volts version:

Pos.	Art.-No.	Description	Pos.	Art.-No.	Description
004	52004-2	Cable( 4 m) 110 V	127	52127-2	Electronic unit 110 V
105	52105-2	Magnetic field 110 V	131	52131-1	Carbon brush 110 V
106	52106-2	Armature 110 V	160	52160-2	Cable connection 110 V

Date of issue: 09. March 2011

Modifications reserved!!

**CS UNITEC, INC.**

22 Harbor Avenue • Norwalk, CT 06850  
Toll-Free: 800-700-5919 • 203-853-9522

[www.csunitec.com](http://www.csunitec.com)