
Pneumatic Circular Saw

Type 5 1116 0010- 0020



Illustration can differ from the original

Spare Parts List

CS Unitec, Inc | 22 Harbor Ave | Norwalk, CT 06096 | USA

Phone: (203) 853 9522 Fax: (203) 853 9921 info@csunitec.com

Attention: Parts lists and spare parts may change without notice. Please call CS Unitec for latest updated schematics and spare parts information.

Cleaning

Regular cleaning is required for a continuous and proper operation.

Clean the housing regularly with a soft cloth, it is important that the ventilation slots remain open.

Spare Parts

Only original spare parts may be used. There is no warranty for damages and liability is disclaimed, if non-original spare parts and accessories are used.

Spare Parts List					
Description:				Part and drawing number:	
Pneumatic Circular Saw				5 1116 0010- 0020	
Item	Qty.	Description	Part and drawing no.		Remarks
	1	Pneumatic circular saw	5 1116 0010		
		consisting of:			
1	1	Circular saw head, assy.	5 1116 9000		assy. only
2	1	Modification kit for circular saw	5 1116 1900		
3	1	Nipple, assy.	9 2205 1330		R 1/2
4	1	Flange	5 1116 8030		Ø20 / Ø16
	1	Adapter ring	5 1116 8040		Ø30 / Ø20
	1	Pneumatic circular saw	5 1116 0020		
		like 5 1116 0010 – but item 3 is omitted, the following is added:			
3	1	Nipple, assy.	9 2205 2170		NPT – 1/2

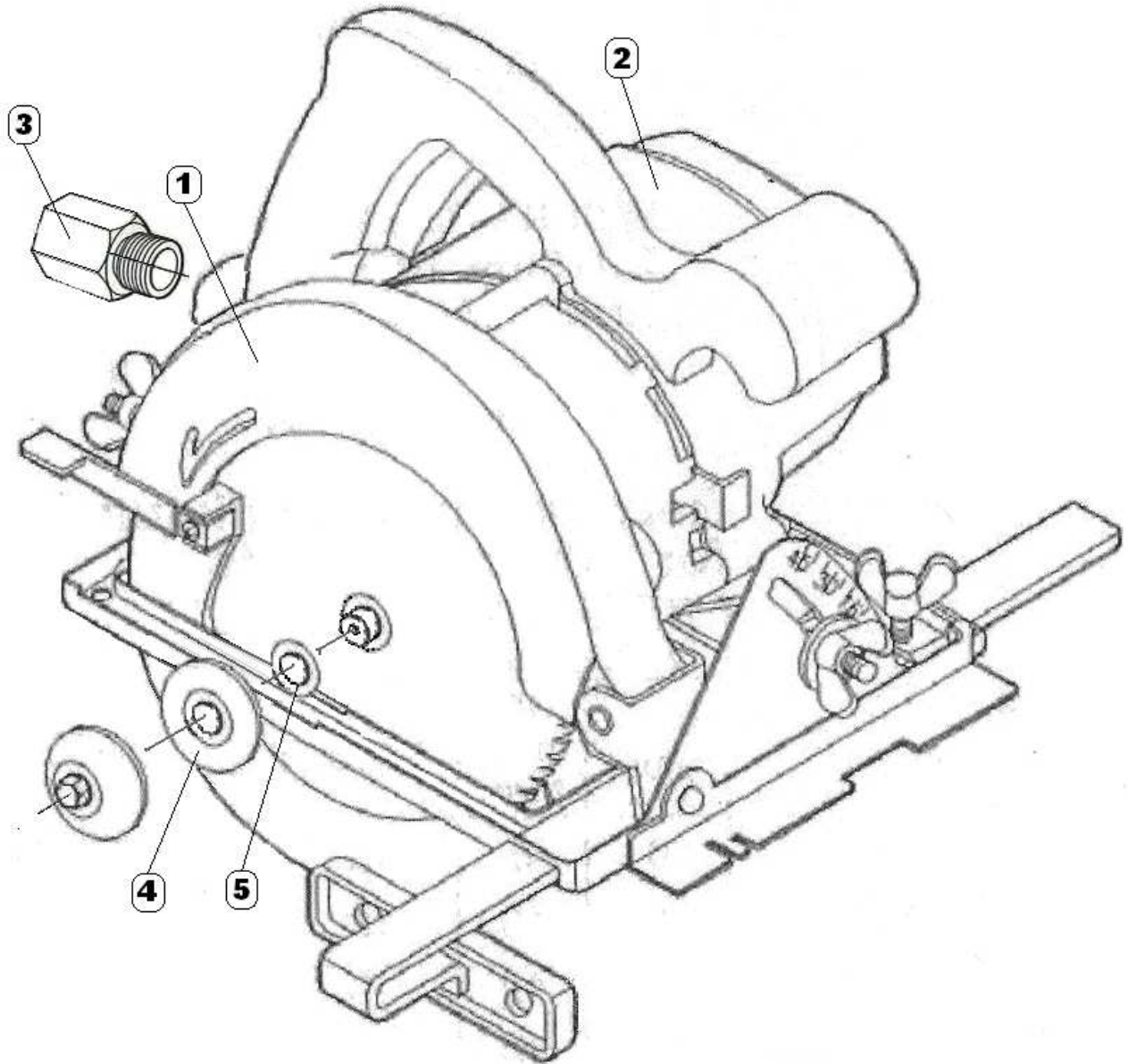
Spare Parts List

Description:

Part and drawing number:

Modification kit for circular saw

5 1116 1900



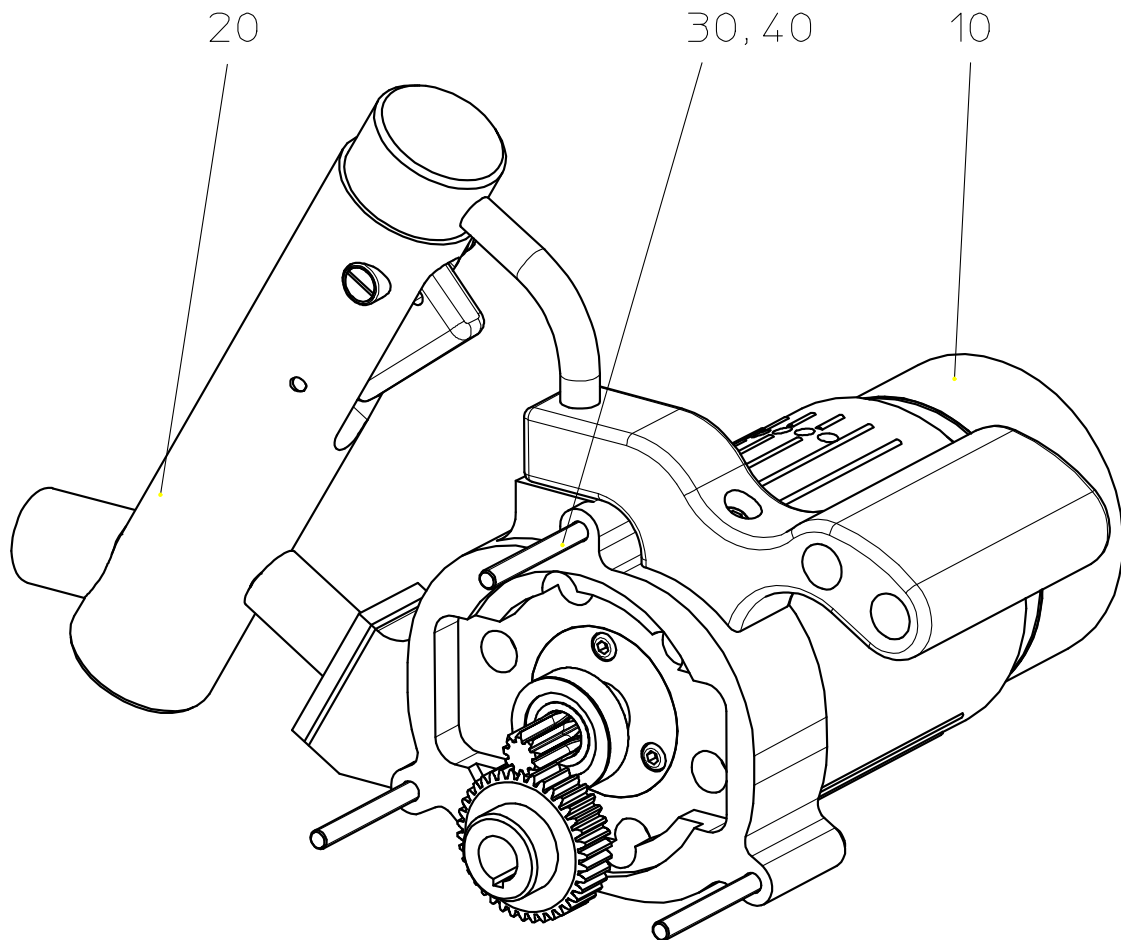
Spare Parts List

Description:

Modification Kit for circular saw

Part and drawing number:

5 1116 1900



Spare Parts List					
Description: Pneumatic Motor with gear parts				Part and drawing number: 5 1116 1000	
Item	Qty.	Description	Part and drawing no.		Remarks
1	1	Motor housing, Assy.	5 1116 1960		
2	1	End plate	5 1115 1100	*	
3	1	Grooved ball bearing	9 1003 0010	*	
4	1	Cover plate	5 1115 1120		
5	1	Snap ring	9 1703 0050		
6	1	Spacer Ring	3 7519 1080	*	
7	1	Cylinder bushing	5 1115 1020		
8	1	Tension sleeve	9 1630 0030		
9	1	Tension sleeve	9 1630 0240		
10	1	Rotor	5 1116 1030		
11	4	Vane	5 1115 1050	*	
12	1	End plate	5 1115 1110	*	
13	1	Grooved ball bearing	9 1003 0030	*	
14	1	Snap ring	9 1703 0100		
15	1	Spacer ring	3 7594 1080	*	
16	1	Belleville spring washer	9 1802 0750		
17	1	Motor cover	5 1116 1940		
18	6	Socket head screw	9 1112 4040		
20	2	O-Ring	9 1901 3100	*	
21	1	Rotary sleeve	5 1115 1220		
23	1	O-Ring	9 1901 6210	*	
24	1	Sealing cover	5 1116 1280		
25	2	Felt band	9 1902 0070	*	
26	3	Socket head screw	9 1110 2110		
27	1	Pressure ring	5 1115 1180		
28	1	Sealing sleeve	5 1116 1140		
29	1	O-Ring	9 1901 2120	*	
30	2	O-Ring	9 1901 2120	*	
31	1	Pipe	5 1116 1240		
32	1	Sealing	5 1116 1260	*	

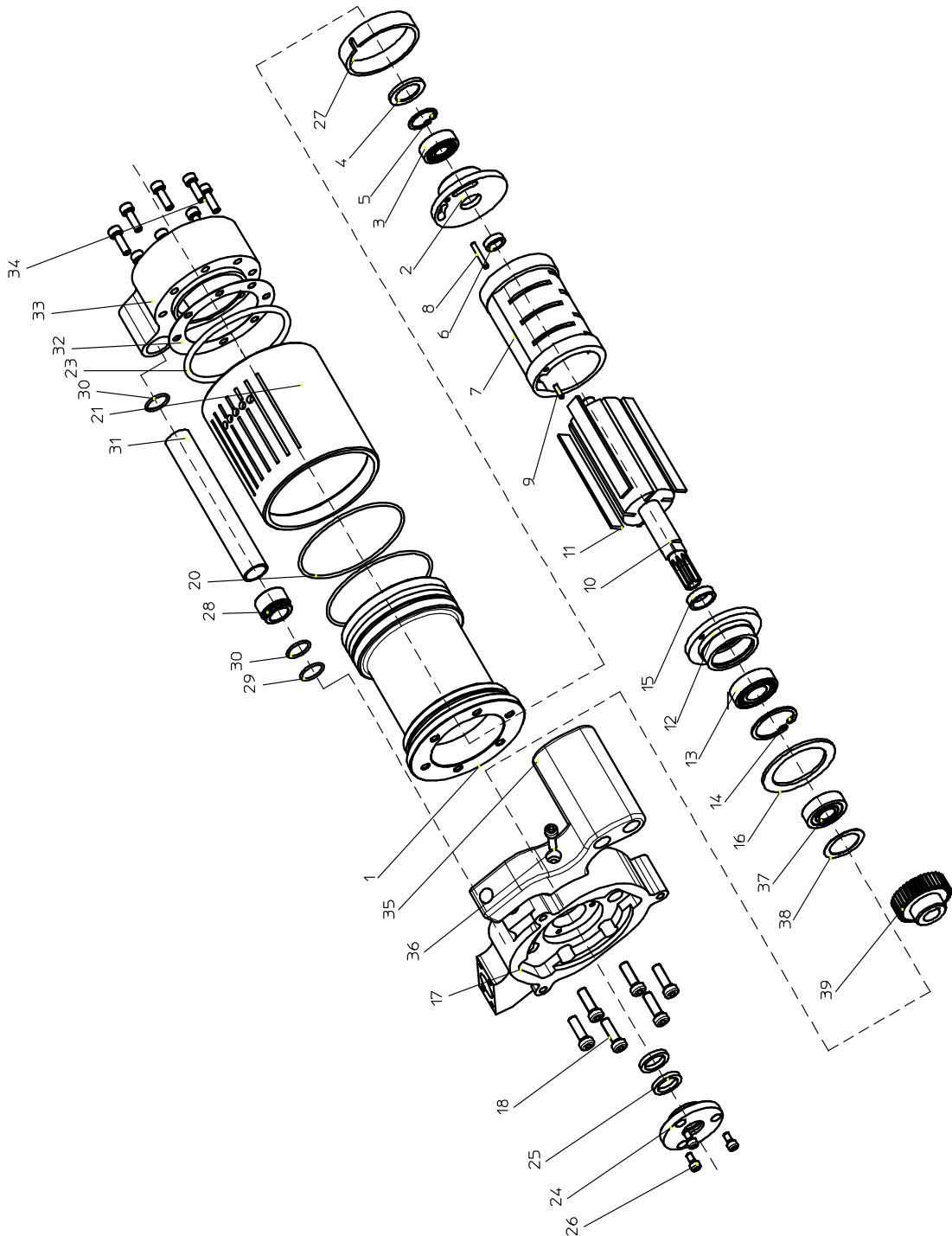
Spare Parts List

Description:

**Pneumatic Motor
with gear parts**

Part and drawing number:

5 1116 1000



Spare Parts List					
Description:			Part and drawing number:		
Valve handle, assy.			5 1116 3000		
Item	Qty.	Description	Part and drawing no.		Remarks
41	1	Valve handle	5 1116 3910		
42	1	Valve pusher	5 6011 3040		
43	1	Double notched pin	9 1641 0020		
44	1	Locking screw	9 1171 9540	*	
46	1	Pressure spring	9 1803 3360	*	
47	1	Locking slide	5 1216 3150		
48	1	Screw button	5 1216 3180	*	
	1	Valve set	5 1115 6500		Pos.49- 59
		consisting of:			
49	1	Sealing ring	9 1903 0160	*	
50	1	Cylinder pin	9 1619 1360		
51	1	Steel ball	9 1017 0080	*	
52	1	Pressure spring	9 1803 0250	*	
53	1	Lock washer	9 1901 3160		
54	1	Lock washer	5 6031 1580		
55	1	Valve seat	5 6031 1570		
56	1	Pin guide	5 6031 1590		
57	2	Threaded pin	9 1146 2010		
58	2	O-Ring	9 1901 5880	*	
59	1	Snap ring	9 1703 0110		
60	4	Socket head screw	9 1110 2070		
61	1	O-Ring	9 1921 2100	*	
		* Wear parts to be stored in case of			
		continuous use			

Spare Parts List

Description:

Valve handle, assy.

Part and drawing number:

5 1116 3000

