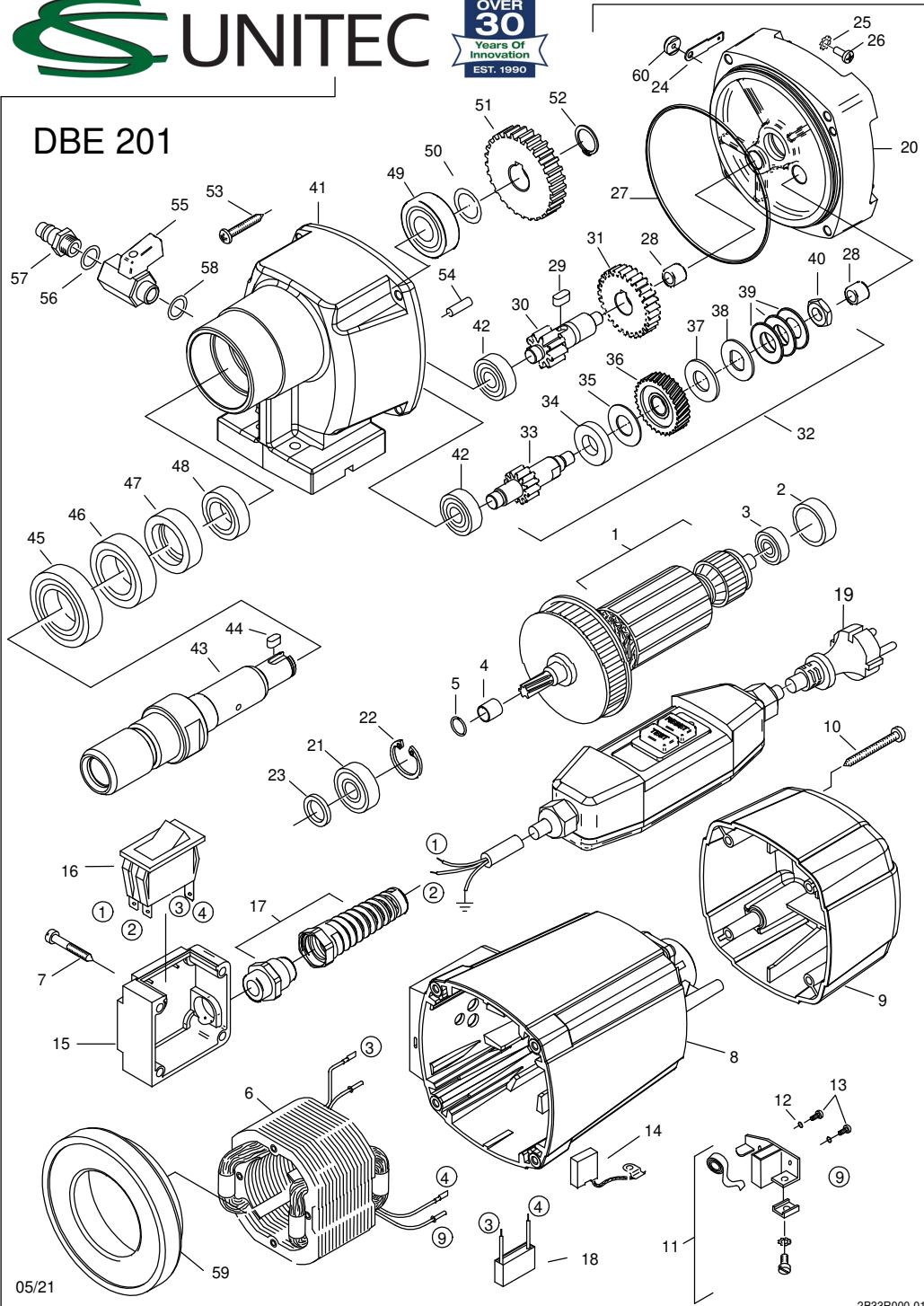
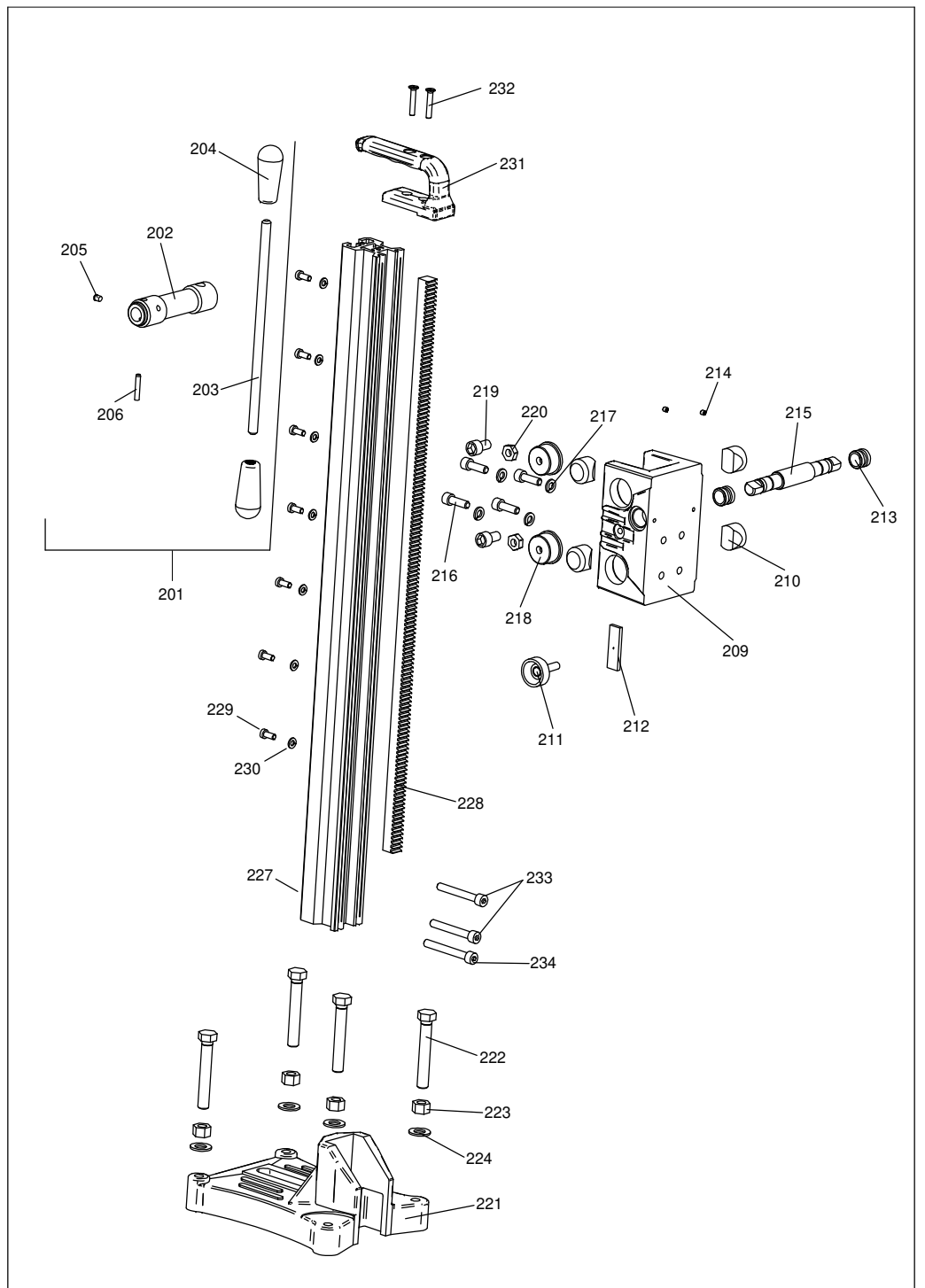


DBE 201



05/21

2B33R000-01



DBE 201 - 120 V

Pos.	Description	Item No.	pc.
1	Rotor, compl. 110V	73632100	1
2	Bearing cap	83000031	1
3	Grooved ball bearing 6000 2Z	80410021	1
4	Sealing bush 12x15x12,5	80420160	1
5	Circlip SW12	80200748	1
6	Stator, compl. 110V	73632150	1
7	Screw 5,5x38	80201292	4
8	Motor housing	7B33E201	1
9	Cap	674E1001	1
10	Screw 4,8x45	80201267	4
11	Brush holder, compl.	80201199	2
12	Spring washer 4	80201385	4
13	Screw M4x12	80201180	4
14	Carbon brush 6,3x16x20	80700040	2
15	Switch box	73511630	1
16	Switch	80600137	1
17	Cable gland M20x1,5	80600179	1
18	Capacitor	80500010	1
19	Connecting cable PRCD 3x14AWG 5m	7B337262	1
20	End shield of gearing	7B334610	1
21	Grooved ball bearing 6201 LUZ	80410101	1
22	Retaining ring 32x1,2	80201351	1
23	Shaft seal 15x21x3	83000042	1
24	Ground connector	80601189	1
25	Tooth lock washer 4,3	80200752	1
26	Screw M4x8	80201451	1
27	O-ring 106x2	83000092	1
28	Needle sleeve HK0810	80420110	2
29	Parallel key 5x5x10	80200600	1
30	Intermediate shaft 2	73311500	1
31	Intermediate wheel	7B336470	1
32	Clutch, compl.	7B336493	1
33	Intermediate shaft 1	7B336490	1
34	Pressure washer	7B334499	1
35	Brass washer 28,5x14,2x1	85000082	1
36	Clutch wheel	7B334550	1
37	Brass washer 28,5x14,1x2	85000084	1
38	Driving washer	73331496	1
39	Disc spring 28x14,2x1,5	80200716	3
40	Nut M10x1	80201007	1
41	Gearbox housing	7B334400	1
42	Grooved ball bearing 6000	80410020	2
43	Work spindle	73430420	1

DBE 201 - 120 V

Pos.	Description	Item No.	pc.
44	Parallel key 6x6x11	73430496	1
45	Grooved ball bearing 6205 2RS	80410151	1
46	Shaft seal 24x47x7	83000072	1
47	Shaft seal 24x40x7	83000076	1
48	Shaft seal 24x33x5	83000162	1
49	Grooved ball bearing 6203 2RS	80410130	1
50	Shim ring 17x24x0,2	80200507	1
51	Spindle wheel	73311430	1
52	Retaining ring 17x1	80201323	1
53	Screw 5,5x70	80201298	4
54	Grooved pin 5x16	80200580	1
55	Mini ball valve	83000143	1
56	Seal ring 1/4"	83000107	1
57	Connecting piece	83000124	1
58	O-ring 12x2,5	83000176	1
59	Air guiding ring	73511141	1
60	Locking nut M4	73631188	1
201	Turnstile, compl.	79600524	1
202	Turnstile	796UN524	1
203	Lever	796UN746	1
204	Knob	40600061	2
205	Spring loaded thrust piece	85000157	1
206	Parallel pin 5x24	80200588	1
209	Machine holder	796UN791	1
210	Thrust piece	796UN763	4
211	Knurled screw M8x25	85000158	1
212	Clamping piece	796UN779	1
213	Steel bush	796UN770	2
214	Threaded pin M5x5	80200758	2
215	Pinion shaft	796UN505	1
216	Screw M8x25	80201145	4
217	Spring lock washer 8	80201309	4
218	Fitting	796DE766	2
219	Screw M10x18	80201453	2
220	Nut M10	80201039	2
222	Base	796UN886	1
223	Screw M12x80	80201118	4
224	Nut M12	80201014	4

DBE 201 - 120 V

Pos.	Description	Item No.	pc.
225	Washer 13	80201381	4
227	Column	796UN062	1
228	Gear rack	796UN061	1
229	Screw M6x14	80201428	7
230	Spring lock washer 6	80201300	7
231	Open handle	796DE814	1
232	Screw M6x30	80201148	2
233	Screw M8x60	40600006	2
234	Screw M8x65	80201114	1