

**CS UNITEC, INC.**

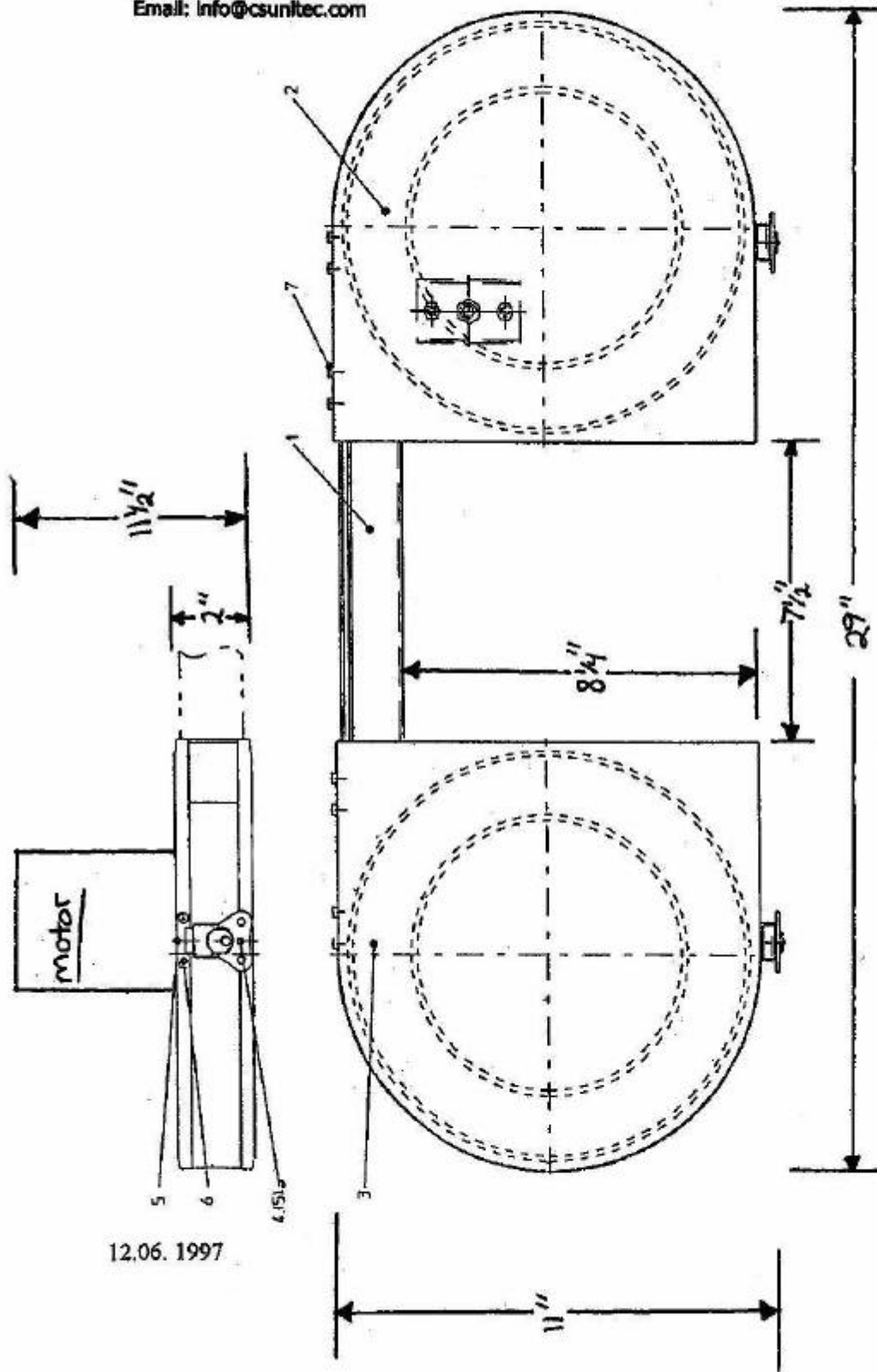
22 Harbor Avenue  
Norwalk, CT 06850

Website: [www.csunitec.com](http://www.csunitec.com)

Email: [info@csunitec.com](mailto:info@csunitec.com)

**Frame Assy. 7"**

**Type 5 6031 7000**



12.06.1997

*Prices to change without notice.  
Not responsible for typographical errors.*

<b><u>POS. NO.</u></b>	<b><u>ITEM NO.</u></b>	<b><u>DESCRIPTION</u></b>	
2	5 6031 7120	Cover - Right side	
3	5 6031 7230	Cover - Left Side	
4	9 3920 0100	Protected Link Lock	
5	9 3920 0110	Keeper Plate	
6	9 1644 0110	Pop Rivet	Replaces # 9 1644 0100
7	5 6030 7080	Hinge Plate	

CS Unitec, Inc.

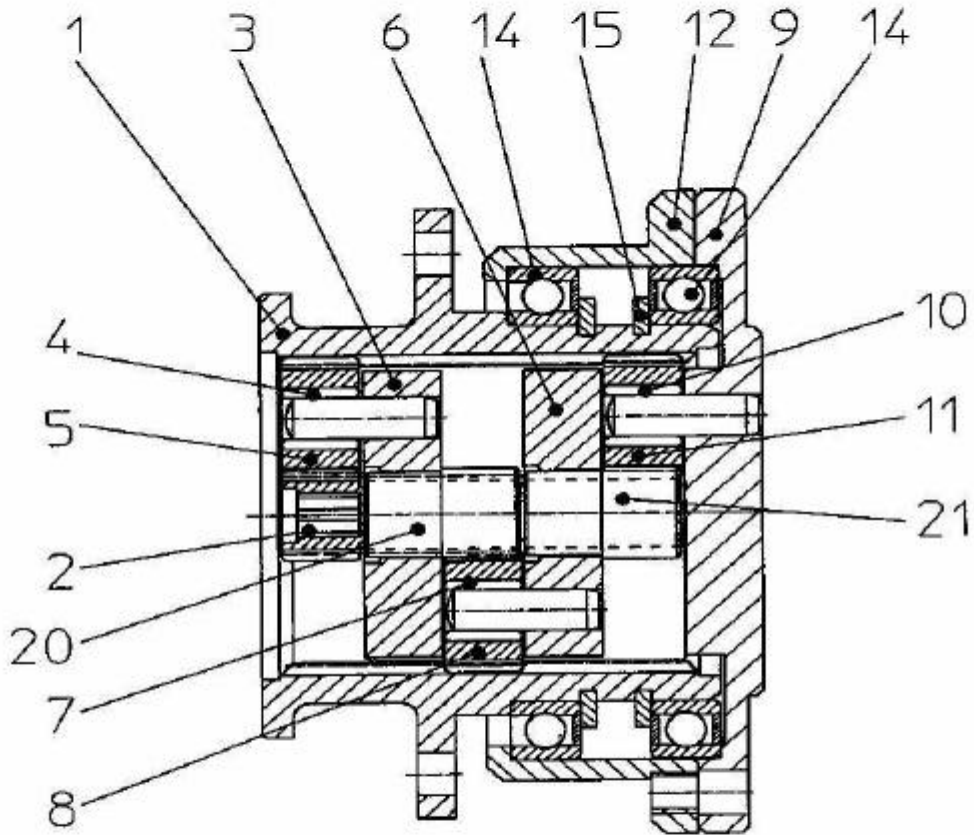
22 Harbor Ave, Norwalk, CT 06850

Telephone: 203-853-9522 Toll Free: 800-700-5919 Fax: 203-853-9921

WebSite: [www.csunitec.com](http://www.csunitec.com) E-Mail: [info@csunitec.com](mailto:info@csunitec.com)

**CS UNITEC, INC.**  
22 Harbor Avenue  
Norwalk, CT 06850  
Website: [www.csunitec.com](http://www.csunitec.com)  
Email: [info@csunitec.com](mailto:info@csunitec.com)

DESCRIPTION: <b>Gear</b>	ORDER-NUMBER: <b>5 6030 4000</b>
	Sheet-Nr.: 2/2 Issue: 05/00



*Prices to change without notice.  
Not responsible for typographical errors.*

<b>POS. NO.</b>	<b>ITEM NO.</b>	<b>DESCRIPTION</b>	
20 + 21	5 6032 4370	Pinion	
3 + 6 + 9	5 6032 4920	Planet Carrier Complete	Old # 5 6030 4030
4 + 7 + 10	9 1015 0790	Needle Cage	
5 + 8 + 11	5 6030 4040	Planet Wheel	
1	5 6030 4020	Ring Gear	
2	5 6030 4170	Pinion	
12	5 6030 4580	Bearing Ring	
14	9 1027 0300	Grooved Ball Bearing	
15	9 1702 0210	Snap Ring	

CS Unitec, Inc.

22 Harbor Ave, Norwalk, CT 06850

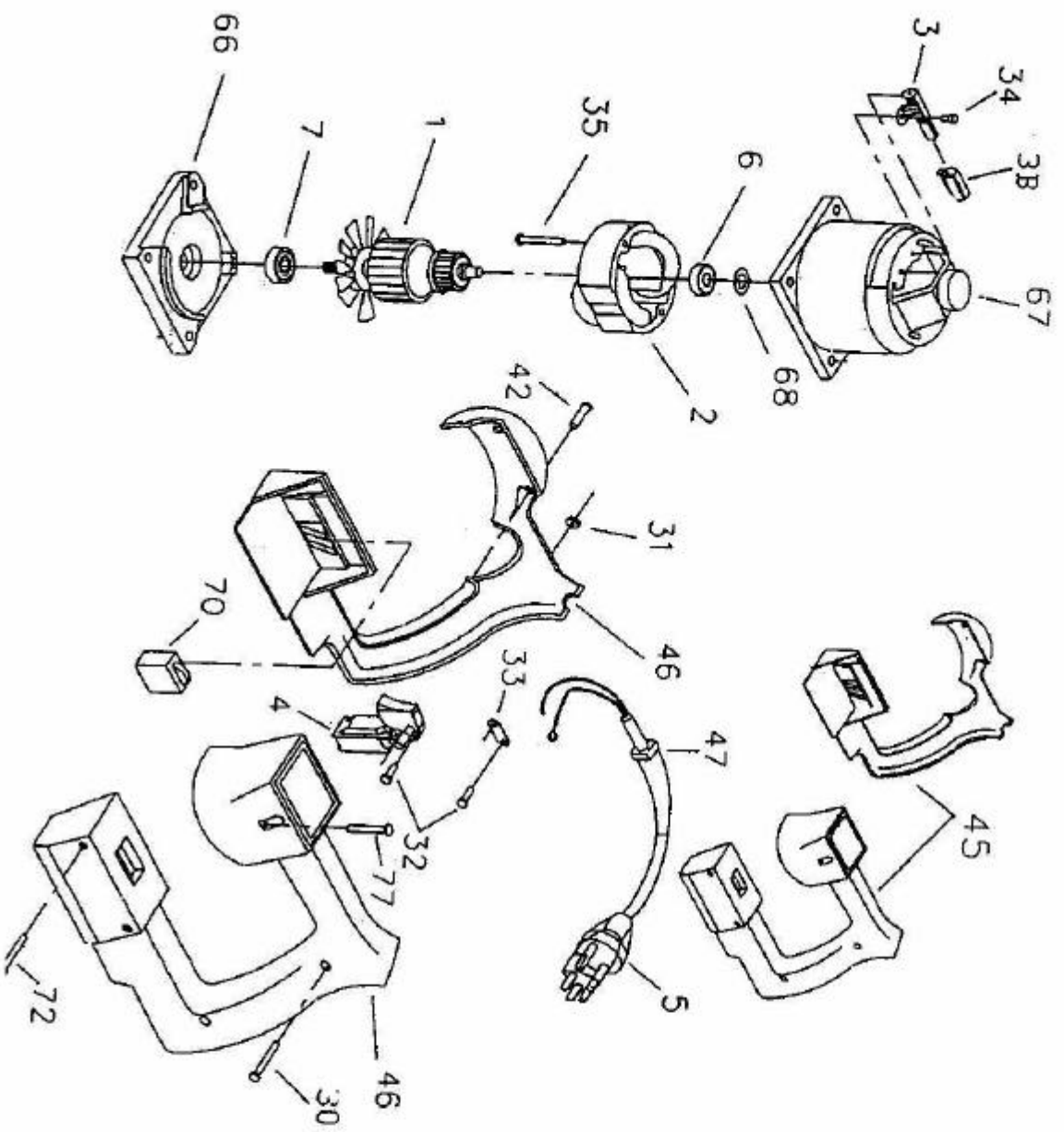
Telephone: 203-853-9522 Toll Free: 800-700-5919 Fax: 203-853-9921

WebSite: [www.csunitec.com](http://www.csunitec.com) E-Mail: [info@csunitec.com](mailto:info@csunitec.com)

**CS UNITEC, INC.**  
22 Harbor Avenue  
Norwalk, CT 06850  
Website: [www.csunitec.com](http://www.csunitec.com)  
Email: [Info@csunitec.com](mailto:Info@csunitec.com)

**WARNING:** Electrical repairs should only be attempted by trained repairmen.

**5 6047 7724**  
**Electric Motor**  
**(120 V or 220/230 V)**



*Prices to change without notice.  
Not responsible for typographical errors.*

<b>POS. NO.</b>	<b>ITEM NO.</b>	<b>DESCRIPTION</b>	
3b	865323	Brush Holder	
1	864788	Armature	
2	874429	Field	
3	874289	Brush/Spring/Retainer Assy.	
4	697452	Switch	
5	846674	Cord	
6	855284	Bearing	
7	857399	Fan End Bearing	
30	803228	Screw	
31	869687	Nut	
32	882703	Screw	
33	861434	Cord Clamp	
34	885952	Screw	
35	884665	Screw	
42	861810	Screw	
46	883219	Handle Set	
66	861844	Intermediate Plate Assy.	Incl. Pos. 60
67	886536	Motor Housing	
68	842610	Load Washer	
70	693971	Speed Control	
72	860902	Screw	

CS Unitec, Inc.

22 Harbor Ave, Norwalk, CT 06850

Telephone: 203-853-9522 Toll Free: 800-700-5919 Fax: 203-853-9921

WebSite: [www.csunitec.com](http://www.csunitec.com) E-Mail: [info@csunitec.com](mailto:info@csunitec.com)

**CS UNITEC, INC.**

22 Harbor Avenue  
Norwalk, CT 06850

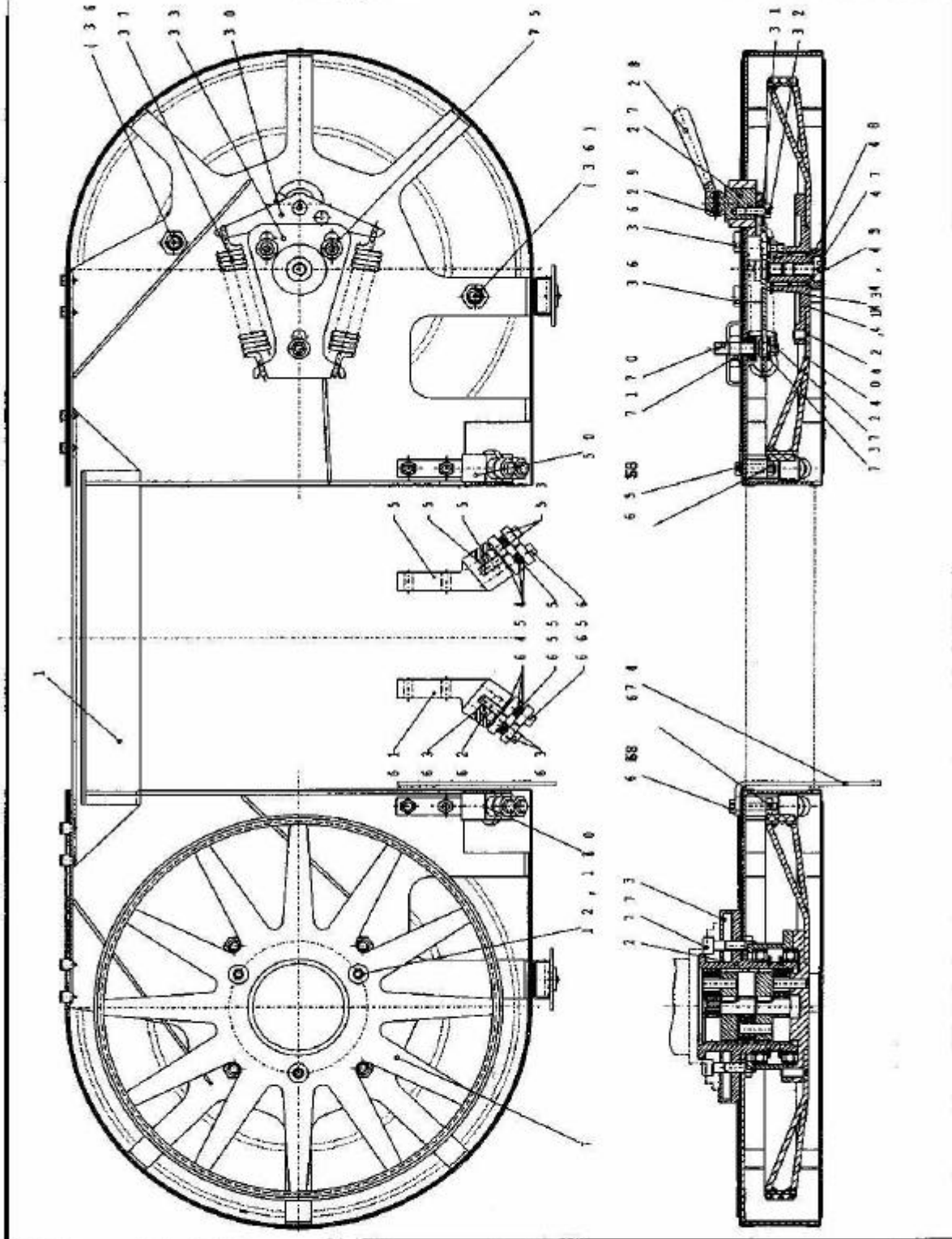
Website: [www.csunitec.com](http://www.csunitec.com)

Email: [info@csunitec.com](mailto:info@csunitec.com)

DESCRIPTION  
**7" Band Saw Head**

TYPE  
**5 6031 8000**

Sheet-Nr.: 3/3 Issue: 10/98



*Prices to change without notice.  
Not responsible for typographical errors.*

<u>POS. NO.</u>	<u>ITEM NO.</u>	<u>DESCRIPTION</u>	
	5 6030 7280	Pulley Shaft	
	5 6031 8050	Pulley Tire	
	5 6031 8080	Drive Wheel	
66 + 56	9 1029 0190	Blade Guide Bearing	
7 + 40	5 6031 8180	Drive Pulley Complete with	P/N 5 6031 8080 & 5 6031 8050
1	5 6031 7000	Frame Assembly	
2	5 6030 4000	Gearbox Assembly	
3	5 6030 4290	Intermediate Cover	
12	9 1113 4070	Counter Sunk Screw	
27	5 6030 8360	Tension Shaft	
28	5 6030 6210	Tension Lever	
29	9 1630 0020	Tension Pin	
30	5 6003 7040	Yoke	
31	9 3325 0820	Washer	
32	9 1112 3110	Fillister head screw	See 9 1112 3030
33	5 6030 7930	Pulley Assembly, with Pulley	Shaft (5 6030 7280)
36	9 1112 5160	Screw	
37	9 1808 0240	Tension Spring	See 9 1801 0240
41	5 6030 8580	Bearing Ring	
42	9 1113 4080	Counter Sink Screw	
43	9 1014 0330	Needle Bearing	
44	9 3333 0010	Axial Disc	
45	9 3325 0870	Washer	
47	9 1116 5020	Screw, Flat Cap	
48	9 3325 0850	Washer	
50	5 6031 7980	Blade Guide, Includes	Pos. 51-59
51	5 6030 8130	Blade Guide Holder	
52	9 1637 1740	Pin	
53	9 1029 0200	Blade Guide Bearing	
54	9 3325 0830	Washer	
55	5 6032 7110	Blade Guide, 7" BandSaw	Old # 5 6003 7110 S
57	9 1164 0420	Screw	
58	9 3329 0010	Locking Plate	4-24-43-004-05-7
59	9 1112 3120	Screw, Cylinder Head	
60	5 6031 7990	Blade Guide, Includes	Pos. 51-58 and 69
69	9 1112 3130	Screw, Cylinder Head	
70	5 6030 8410	Threaded Pin	
71	9 1203 0310	Nut	
72	9 1210 0120	Nut	
73	9 3302 0020	Disc	4-24-01-003-06-3
74	5 6031 8100	Stop	
75	9 1210 0030	Nut	
76	9 1203 0330	Nut	

CS Unitec, Inc.

22 Harbor Ave, Norwalk, CT 06850

Telephone: 203-853-9522 Toll Free: 800-700-5919 Fax: 203-853-9921

WebSite: [www.csunitec.com](http://www.csunitec.com) E-Mail: [info@csunitec.com](mailto:info@csunitec.com)



*Prices to change without notice.  
Not responsible for typographical errors.*

<b>POS. NO.</b>	<b>ITEM NO.</b>	<b>DESCRIPTION</b>
77	9 1112 4100	Fillister-Head Screw

CS Unitec, Inc.

22 Harbor Ave, Norwalk, CT 06850

Telephone: 203-853-9522 Toll Free: 800-700-5919 Fax: 203-853-9921

WebSite: [www.csunitec.com](http://www.csunitec.com) E-Mail: [info@csunitec.com](mailto:info@csunitec.com)