

Spare Parts List

Description:

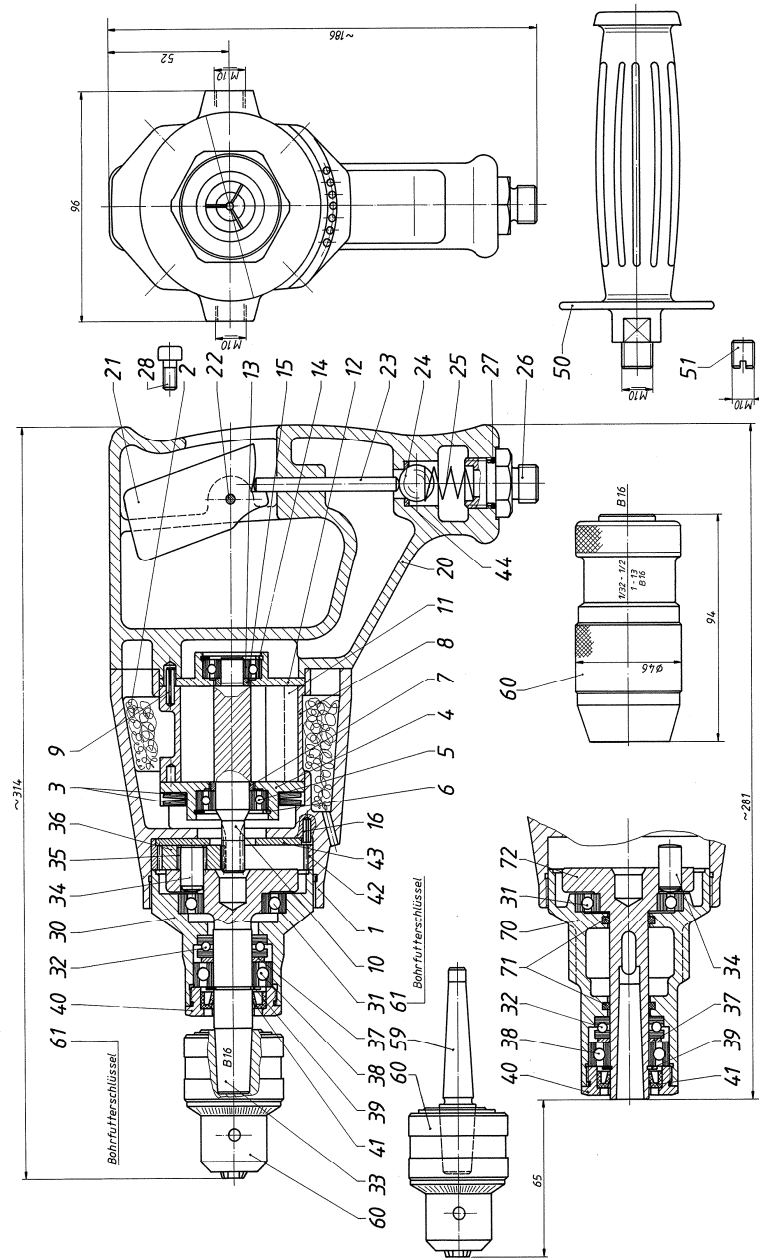
Pneumatic Drill

Part and drawing number:

2 1310 0010

Page no.: 3/3

Date: 03/08



CS Unitec, Inc | 22 Harbor Ave | Norwalk, CT 06850 | USA

Phone: (203) 853 9522 Fax: (203) 853 9921 info@csunitec.com

Spare Parts List					
Description: Pneumatic Drill				Part and drawing number 2 1310 0010	
				Page no.: 1/3	Date: 03/08
Item	Qty.	Description	Part and drawing no.		Remarks
1	1	Motor housing	2 1311 1010		
2	2	Damping material	1 2034 6100		
3	2	Belleville spring	9 1802 0260		
4	1	End plate	7 1401 1100		
5	1	Grooved ball bearing	9 1003 0030		
6	1	Snap ring	9 1703 0100		
7	1	Spacer	1 1501 1090		
8	1	Cylinder bushing	1 1379 1020		
9	1	Adapter sleeve	9 1630 0510		
10	1	Rotor	2 1311 1030		
11	6	Vane	2 1310 1050		
12	1	End plate	2 1310 1110		
13	1	Grooved ball bearing	9 1003 0010		
14	1	Snap ring	9 1703 0050		
15	1	Spacer	2 1301 1090		
16	2	Adapter sleeve	9 1630 0140		
20	1	Handle	2 1310 6010		
21	1	Valve pusher	2 1311 3040		
22	1	Double notched pin	9 1641 0020		
23	1	Cylindrical pin	9 1619 1360		
24	1	Ball	9 1017 0080		
25	1	Compression spring	9 1803 0250		
26	1	Nipple	9 2205 1190		
27	1	O-Ring	9 1901 3230		
28	4	Fillister-head screw	9 1110 4010		
30	1	Neck	2 1301 7010		
31	1	Grooved ball bearing	9 1002 0040		
32	1	Journal bearing	9 1021 0040		
33	1	Planet carrier	2 1310 4910		With item 34
34	3	Cylindrical pin	9 1631 0170		
35	3	Needle cage	9 1015 0110		
36	3	Planetary wheel	2 1301 4040		
37	2	Fitting washer	9 3331 0230		

Spare Parts List				
Description: Pneumatic Drill			Part and drawing number: 2 1310 0010	
			Page no.: 2/3	Date: 03/08
Item	Qty.	Description	Part and drawing no.	Remarks
38	1	Grooved ball bearing	9 1003 0040	
39	1	Snap ring	9 1702 0100	
40	1	Cover lid	2 1311 4100	
41	1	Radial shaft seal	9 1905 0020	
42	1	Rim of the gear	2 1301 4020	
43	1	Washer	2 1311 4080	
50	1	Handle	2 1312 6010	
60	1	Drill chuck	9 2901 0120	
61	1	Spanner for drill chuck	9 1419 0030	
44	1	Seal	9 1903 0160	
51	1	Hexagon screw	9 1107 6140	