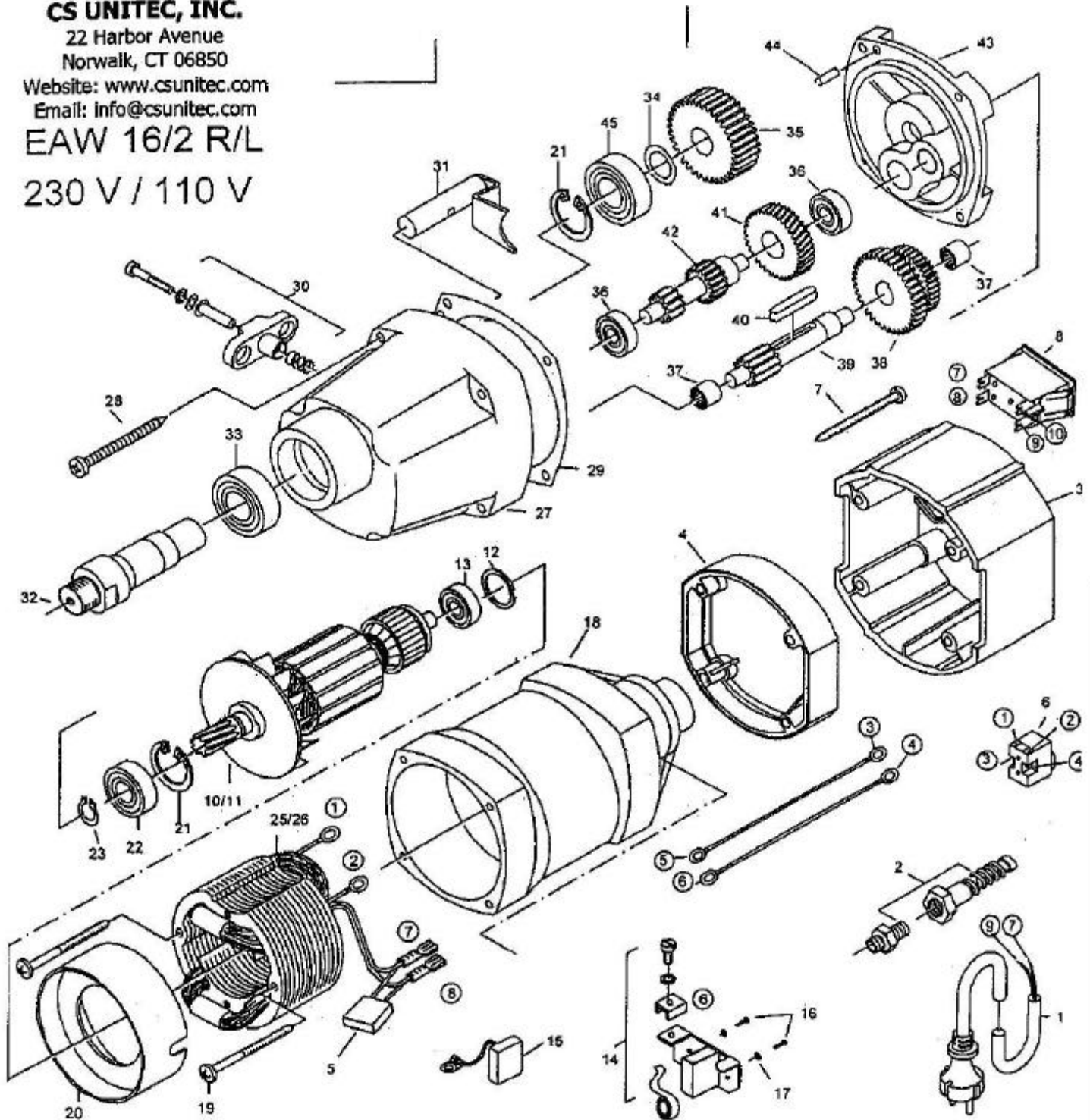


**CS UNITEC, INC.**  
22 Harbor Avenue  
Norwalk, CT 06850  
Website: [www.csunitec.com](http://www.csunitec.com)  
Email: [info@csunitec.com](mailto:info@csunitec.com)  
**EAW 16/2 R/L**  
**230 V / 110 V**



*Not responsible for typographical errors.*

| <u>POS. NO.</u> | <u>ITEM NO.</u> | <u>DESCRIPTION</u>       |                   |
|-----------------|-----------------|--------------------------|-------------------|
| 13 + 36         | 80410011        | Bearing                  | Replaces 032.0221 |
| 22 + 45         | 80410032        | Ball Bearing             | See 114 146       |
| 6 + 33          | 117 668         | Ball Bearing             |                   |
| 7 + 19          | 80201266        | Screw                    | Replaces 032.0156 |
| 1               | 80600060        | Connection Cable         |                   |
| 2               | 80600170        | Cable Gland              |                   |
| 3               | 7422A240        | Cap                      |                   |
| 4               | 7122W425        | Distance Ring            |                   |
| 5               | 80500010        | Condensor-SEE #80500014  |                   |
| 8               | 80600119        | Switch                   |                   |
| 11              | 7422B100        | Armature                 |                   |
| 12              | 83000036        | O-Ring                   | Replaces 050.0116 |
| 14              | 80201196        | Carbon Brush Holder      | Replaces 050.0371 |
| 15              | 80700013        | Carbon Brush             | Replaces 050.0147 |
| 16              | 80201180        | Screw CM4x12             |                   |
| 17              | 80201385        | Spring Disk 34           |                   |
| 18              | 7122A200        | Motor Housing            |                   |
| 20              | 71323140        | Air Guidance Ring        |                   |
| 21              | 80201333        | Safety Ring 28/1.2       | Replaces 050.0166 |
| 23              | 80201305        | Safety Ring              |                   |
| 26              | 7422B150        | Field                    |                   |
| 27              | 71223400        | Gear Housing             |                   |
| 28              | 80201284        | Screw                    | Replaces 032.0106 |
| 29              | 73110620        | SEAL                     |                   |
| 30              | 71540545        | Gear Switch              | Replaces 040.0286 |
| 31              | 71223520        | Clutch Pin               |                   |
| 32              | 7122H420        | Spindle                  |                   |
| 34              | 80200502        | Notched Pin              |                   |
| 35              | 77225430        | Gear                     |                   |
| 37              | 80420110        | Needle Sleeve            | Replaces 050.0161 |
| 38              | 71223440        | Gear                     |                   |
| 39              | 71223460        | Gear Shaft               | Replaces 050.0231 |
| 40              | 80200602        | Fitting Spring, hardened | Replaces 050.0301 |
| 41              | 7122A470        | Gear                     |                   |
| 42              | 71323500        | Gear Shaft               | Replaces 050.0246 |
| 43              | 7122A610        | Transmission Bearing     |                   |
| 44              | 80200582        | Notched Pin              | Replaces 032.0211 |

CS Unitec, Inc.

22 Harbor Ave, Norwalk, CT 06850

Telephone: 203-853-9522 Toll Free: 800-700-5919 Fax: 203-853-9921

WebSite: [www.csunitec.com](http://www.csunitec.com) E-Mail: [info@csunitec.com](mailto:info@csunitec.com)