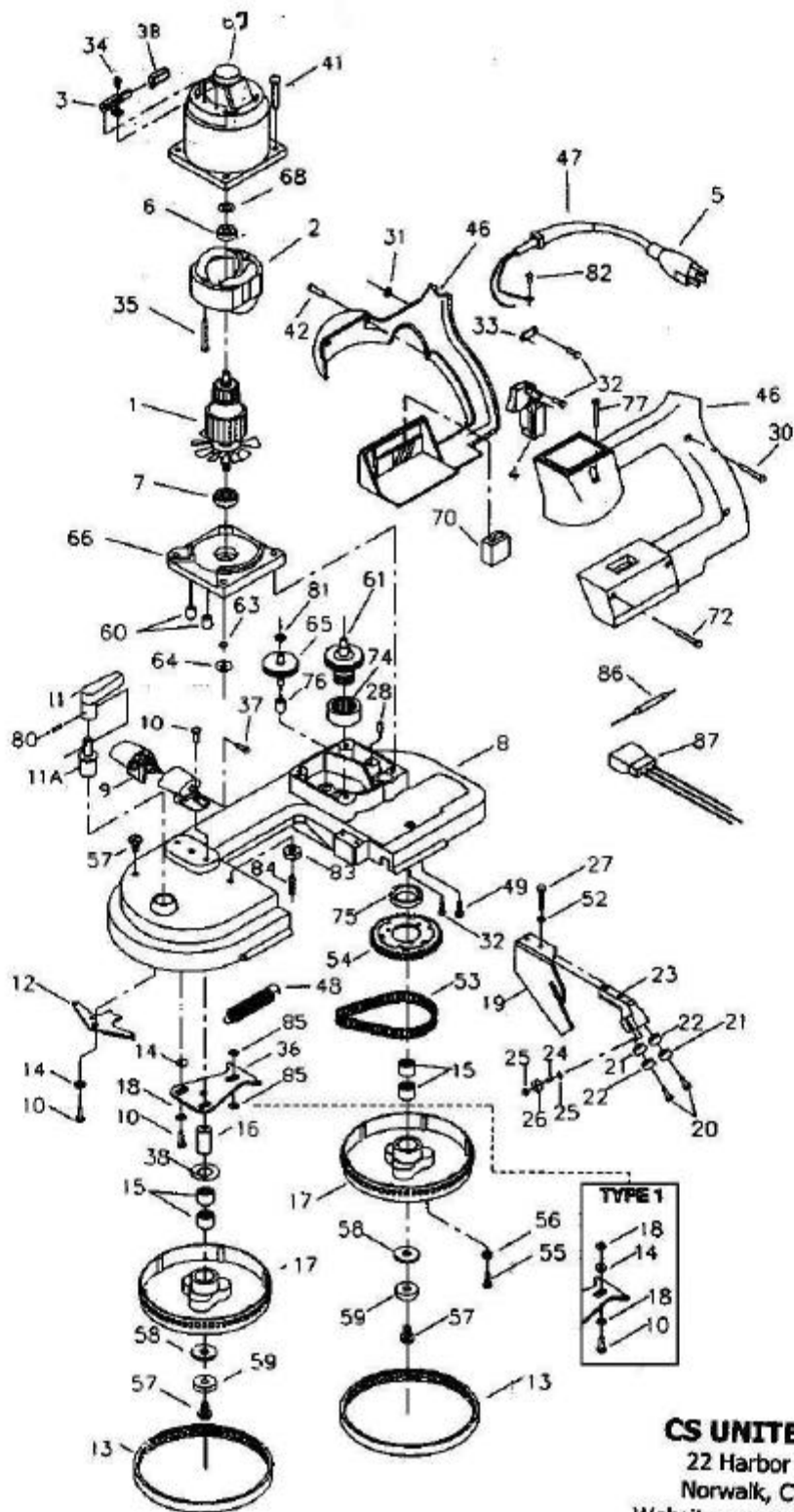


**5 6046 0010
ELECTRIC BANDSAW**

WARNING: Electrical repairs should only be attempted by trained repairman. Contact the nearest CS Unitec Service Center or other competent repair center.



CS UNITEC, INC.
22 Harbor Avenue
Norwalk, CT 06850
Website: www.csunitec.com
Email: info@csunitec.com

*Prices to change without notice.
Not responsible for typographical errors.*

<u>POS. NO</u>	<u>ITEM NO</u>	<u>DESCRIPTION</u>
11A	5 6003 7030	Tension Shaft
23A	5 6003 7910	Blade Guide Assembly, Complet includes 5 6003 7120
41+49	9 1164 0460	Screw In Position 41
8	5 6003 7010	Pulley Housing
9	5 6003 6900	Knob Set
10	9 1164 0410	Screw
11	5 6003 7020	Tension Lever
12	5 6003 7040	Yoke
13	5 6003 7050	Pulley Tire
14	5 6003 7060	Bushing
15	9 1029 0160	Bearing
16	5 6003 7080	Pulley shaft
17	5 6003 7090	Pulley
18	9 3325 0820	Washer
19	5 6003 7100	Stop
20	9 1164 0420	Screw
21	5 6003 7110	Blade Guide for # 5 6003 0010 and 5 6004 0010, 4-3/4" Saws
22	9 1029 0190	Blade Guide Bearing
23	5 6003 7120	Blade Guide Holder
24	9 1637 1740	Pin
25	9 3325 0830	Washer
26	9 1029 0200	Blade Guide Bearing
27	9 1164 0430	Screw
28	9 1637 1750	Pin
32	9 1164 0490	Screw
36	5 6003 7940	Plate Complete-Old#56003 7130
37	9 1164 0440	Screw
38	9 3325 0870	Washer
48	9 1808 0240	Tension Spring See 9 1801 0240
52	9 3314 0230	Lock Washer
53	5 6003 7140	Chain
54	5 6003 7150	Driven Sprocket
55	9 1164 0470	Screw
56	9 3314 0250	Lock Washer
57	9 1164 0480	Screw
58	9 3325 0840	Washer
59	9 3325 0850	Washer
60	9 1029 0170	Bearing OLD # 9 2029 0170
61	5 6003 4910	Gear & Sprocket Assembly
63	9 1901 9770	O Ring
64	5 6003 7160	Slinger
65	5 6003 4040	Intermediate Gear
66	5 6003 4930	Intermediate Plate Assembly
74	9 1013 0390	Needle Bearing
75	9 1908 1130	Sealing

CS Unitec , Inc.

22 Harbor Ave, Norwalk, CT 06850

Telephone: 203-853-9522 Toll Free: 800-700-5919 Fax: 203-853-9921

WebSite: www.csunitec.com E-Mail: info@csunitec.com

*Prices to change without notice.
Not responsible for typographical errors.*

<u>POS. NO</u>	<u>ITEM NO</u>	<u>DESCRIPTION</u>	
76	9 1929 0180	Bearing	
80	9 1637 1760	Pin	
81	9 3325 0860	Washer	
83	5 6003 7170	Nut, T2	
84	5 6003 7180	Set Screw, T2	
85	9 1702 0020	Snap Ring	
149	9 1112 4020	Screw	4-30-33-064-06-6

CS Unitec , Inc.

22 Harbor Ave, Norwalk, CT 06850

Telephone: 203-853-9522 Toll Free: 800-700-5919 Fax: 203-853-9921

WebSite: www.csunitec.com E-Mail: info@csunitec.com

*Prices to change without notice.
Not responsible for typographical errors.*

POS. NO.	ITEM NO.	DESCRIPTION	
3b	865323	Brush Holder	
1	864788	Armature	
2	874429	Field	
3	874289	Brush/Spring/Retainer Assy.	
4	697452	Switch	
5	846674	Cord	
6	855284	Bearing	
7	857399	Fan End Bearing	
30	803228	Screw	
31	869687	Nut	
32	882703	Screw	
33	861434	Cord Clamp	
34	885952	Screw	
35	884665	Screw	
42	861810	Screw	
46	883219	Handle Set	
66	861844	Intermediate Plate Assy.	Incl. Pos. 60
67	886536	Motor Housing	
68	842610	Load Washer	
70	693971	Speed Control	
72	860902	Screw	

CS Unitec, Inc.

22 Harbor Ave, Norwalk, CT 06850

Telephone: 203-853-9522 Toll Free: 800-700-5919 Fax: 203-853-9921

WebSite: www.csunitec.com E-Mail: info@csunitec.com