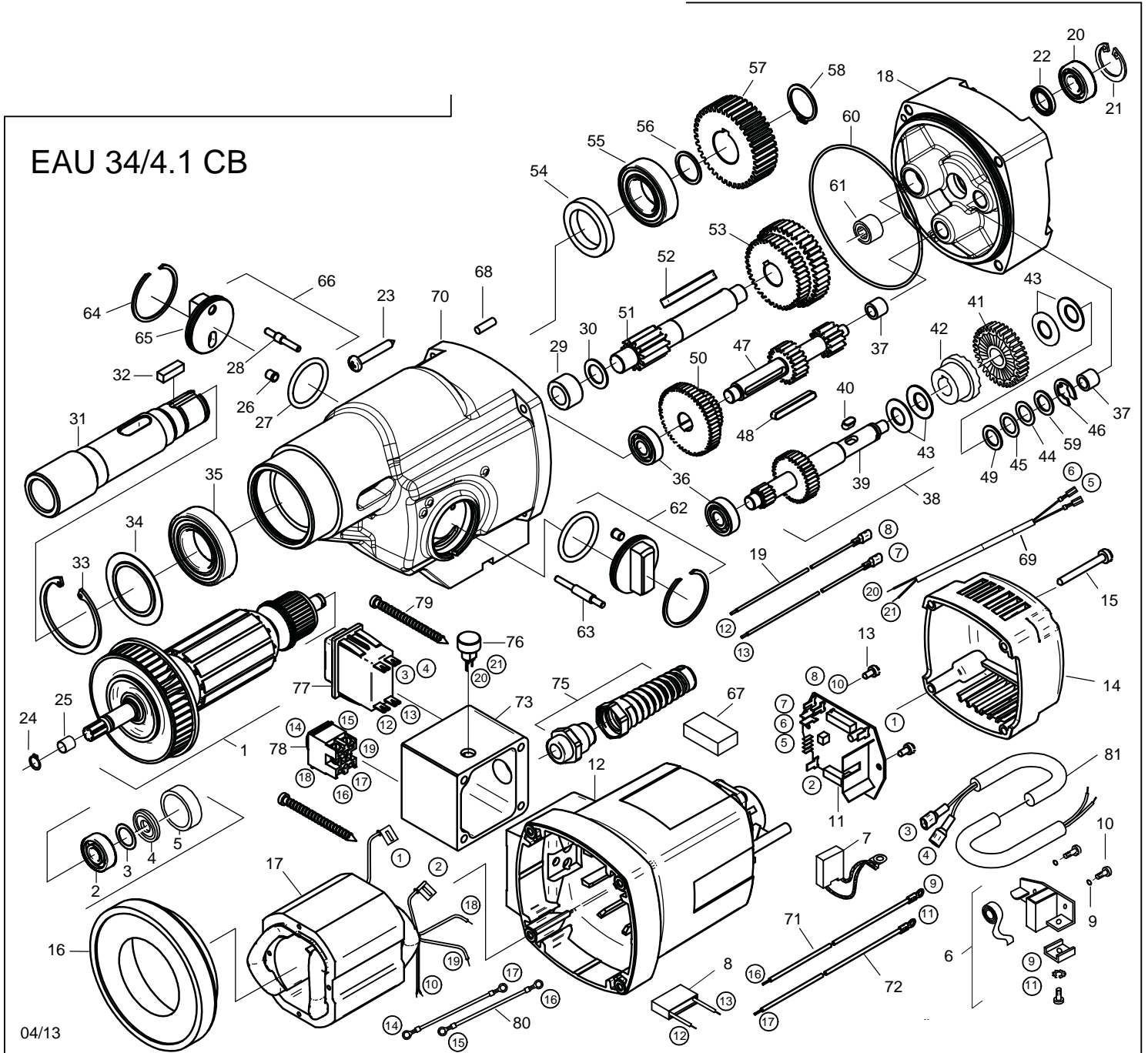


PLEASE SPECIFY TOOL MODEL # WHEN ORDERING PARTS

PARTS BREAKDOWN	Model #: EAU 34/4.1 CB	Bulletin #: 06-2018
PARTS LISTING	Description: Motor	Prepared By: SCW
WIRING DIAGRAM	Date: 6/14/2018 rev 05/11/2020	

EAU 34/4.1 CB MOTOR BREAKDOWN



PLEASE SPECIFY TOOL MODEL # WHEN ORDERING PARTS

PARTS BREAKDOWN	Model #: EAU 34/4.1 CB	Bulletin #: 06-2018
PARTS LISTING	Description: Motor	Prepared By: SCW
WIRING DIAGRAM	Date: 6/14/2018 rev 05/11/2020	

EAU 34/4.1 CB MOTOR PARTS LIST

Pos. #	Part #	Description
1	7455V100	rotor complete
2	80410021	grooved ball bearing 6000 2Z
3	83000507	seal ring
4	7633J325	magnetic disc
5	83000031	bearing cap
6	80201199	brush holder
7	80700077	brush (1 each)
8	80500010	anti parasite condenser
9	80201385	lock washer B4
10	80201180	self tapping screw CM4x12
11	74511280	PCB / circuit board
12	7455U201	motor housing
13	80201269	self tapping screw HC 4,2x9,5
14	80900082	cap
15	80201267	self tapping screw HC 4,8x45
16	73511141	air guiding ring
17	74644150	stator complete
18	7455U610	end shield of gearing
19	74555180	interconnecting wire
20	80410101	grooved ball bearing 6201 RSZ
21	80201351	locking ring 32x1,2
22	83000042	shaft seal ring KEIV 15x21x3
23	80201227	self tapping screw HC 5,5x80
24	80201321	locking ring 12/1
25	80420160	bearing ring 12x15x12,5
26	85000157	spring loaded thrust pad
27	83000022	o-ring 36x1,5 NBR
28	71641532	switch-actuating wheel short
29	80420001	needle bearing RNA 4900
30	71540517	disc
31	7455U420	work spindle

Pos. #	Part #	Description
32	80200606	fitting key B6x6x20
33	80201338	locking ring 55/2
34	71540426	disc
35	80410071	grooved ball bearing 6006 2RS
36	80410020	grooved ball bearing 6000
37	80420110	needle sleeve HK 0810
38	74643493	clutch complete
39	74641490	intermediate shaft 1
40	80200600	fitting key 5x5x10
41	74326550	clutch wheel
42	71540560	coupling half
43	80200713	spring washer 28x12,1x1
44	80200503	fitting washer 12/18x0,5
45	80200502	fitting washer 12/18x0,2
46	80201361	lock washer 9
47	74641500	intermediate shaft 2
48	80200612	fitting key 5x5x40
49	71540607	pressure washer
50	74641440	gear block 1
51	74641510	intermediate shaft 3
52	80200610	fitting key 6x6x50
53	74641450	gear block 2
54	83000071	shaft seal ring 30x42x7
55	80410061	grooved ball bearing 6005 2RS
56	80200512	fitting washer 25x0,1
57	74554430	spindle wheel
58	80201326	locking ring 24/1,2
59	71540606	pressure washer
60	83000092	o-ring 106x2

PLEASE SPECIFY TOOL MODEL # WHEN ORDERING PARTS

PARTS BREAKDOWN	Model #: EAU 34/4.1 CB	Bulletin #: 06-2018
PARTS LISTING	Description: Motor	Prepared By: SCW
WIRING DIAGRAM	Date: 6/14/2018 rev 05/11/2020	

EAU 34/4.1 CB MOTOR PARTS LIST

Pos. #	Part #	Description
61	80420130	needle sleeve HK 1212
62	71641545	switch button long
63	71641542	switch-actuating wheel long
64	80201355	circlip SB42
65	71641540	switch button
66	71641535	switch button short
67	80600306	contact washer
68	80200580	notched pin plug 5x16
69	77314187	control wire
70	74559400	gearbox housing
71	74555181	brush holder wire 1
72	74555182	brush holder wire 2
73	7455U630	switch box
75	7010031	panel plug
76	80601501	potentiometer
77	80601189	earth connector
78	80600103	reverser
79	80201298	self tapping screw HC 5,5x70
80	80600243	interconnecting wire
81	73631188	cord without plug
82	80200752	tooth lock washer A4,3
83	80201201	lens head screw HM 4x10

For 230 V Version

Pos. #	Part #	Description
1	7455U100	rotor complete
7	80700070	brush (1 each)
11	74522280	PCB / circuit board
17	74643150	stator complete
75a	80600520	panel plug