

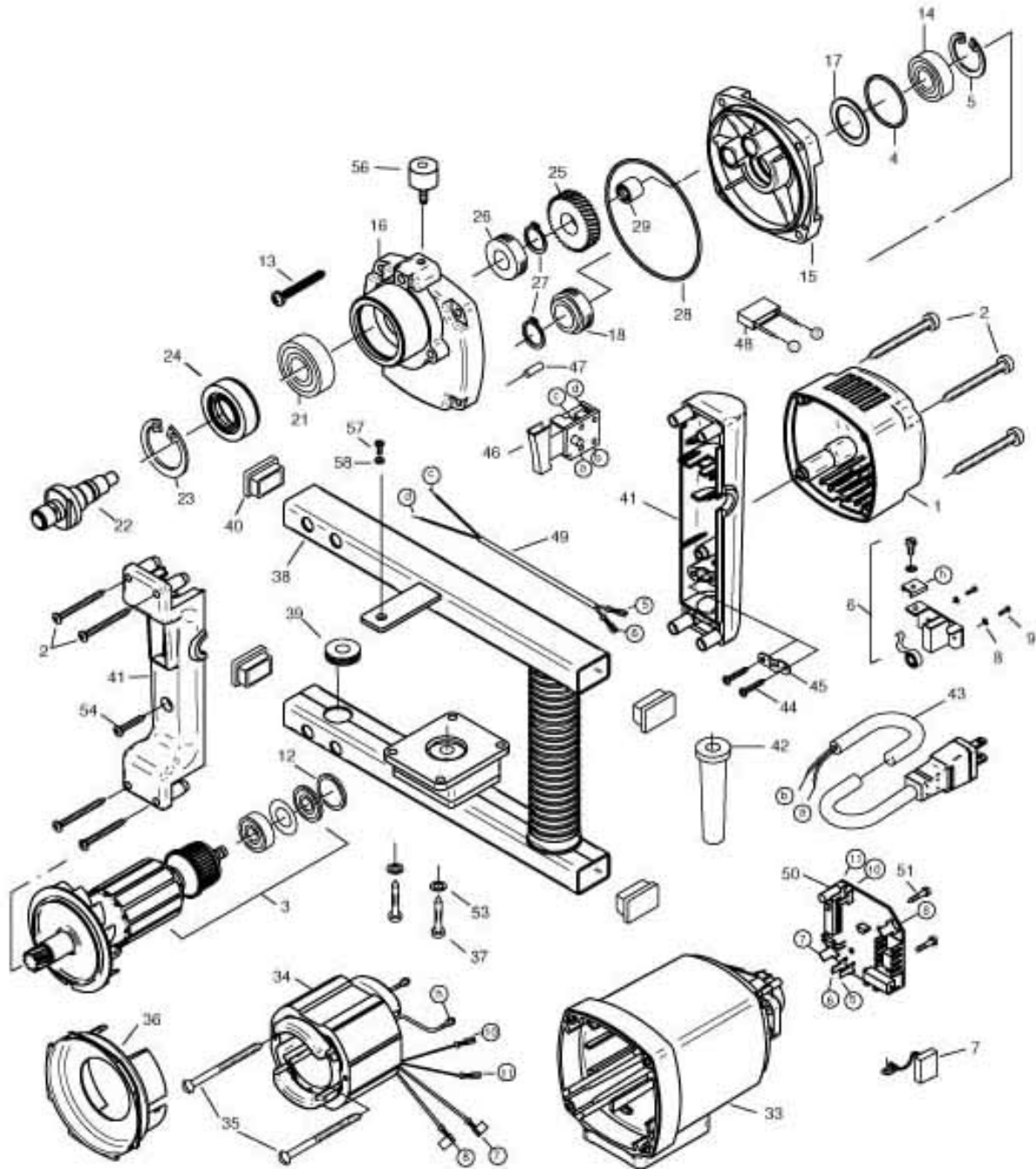
CS UNITEC, INC.

22 Harbor Avenue
Norwalk, CT 06850

Website: www.csunitec.com

Email: info@csunitec.com

Model EBS 125.4 – Concrete Grinder



Not responsible for typographical errors.

<u>POS. NO.</u>	<u>ITEM NO.</u>	<u>DESCRIPTION</u>	
1	80900093	Cap	
2	80201267	Screw	Replaces 050.0112
3	7632U100	Rotor Complete	
4	83000191	O-Ring	
5	80201333	Safety Ring 28/1.2	Replaces 050.0166
6	80201195	Brush Holder, Complete	
7	80700053	Carbon Brush	
8	80201385	Spring Disk 34	
9	80201180	Screw CM4x12	
12	83000036	O-Ring	Replaces 050.0116
13	80201442	Screw	
14	80410088	Grooved Ball Bearing	
15	76301610	End Shield	
16	76322400	Gearbox Housing	
17	80200510	Fitting Washer	
18	76311125	Worm Seal 1	
21	80410043	Bearing 6003	
22	76328420	Work Spindle	
23	80201339	C-Clip	
24	76305425	Bushing	
25	76311430	Spindle Wheel	
26	76301126	Worm Seal 2	
27	80201318	Locking Ring	
28	83000000	O-Ring	
29	80420110	Needle Sleeve	Replaces 050.0161(9 1014 00
33	80900092	Motor Housing	
34	76319150	Stator, Complete	
35	80201266	Screw	Replaces 032.0156
36	80900286	Air Guiding Ring	
37	80201277	Screw	
38	80200059	Bow Handle	

CS Unitec, Inc.

22 Harbor Ave. Norwalk, CT 06850

Telephone: 203-853-9522 Toll Free: 800-700-5919 Fax: 203-853-9921

WebSite: www.csunitec.com E-Mail: info@csunitec.com

Not responsible for typographical errors.

<u>POS. NO.</u>	<u>ITEM NO.</u>	<u>DESCRIPTION</u>	
39	83000051	Cable Grommet	
40	80900000	Cover Cap	
41	80900098	Handle	
42	83000004	Cable Sleeve	
43	80600281	Connecting Cable w/Plug	
44	80201270	Screw	
45	85000020	Clip	
46	80600507	Switch, Flush Mounting	
47	80200582	Notched Pin	Replaces 032.0211
48	80500010	Condensor	
49	7731B186	Wire	
50	76319280	Circuit Board	
51	80201252	Screw, Self Tapping	
53	80201302	Spring Ring	
54	80201280	Screw	
56	83000084	Rubber Metal Buffer	
57	80201212	Screw, Oval Head	
58	80201375	Disc	

CS Unitec, Inc.

22 Harbor Ave. Norwalk, CT 06850

Telephone: 203-853-9522 Toll Free: 800-700-5919 Fax: 203-853-9921

WebSite: www.csunitec.com E-Mail: info@csunitec.com