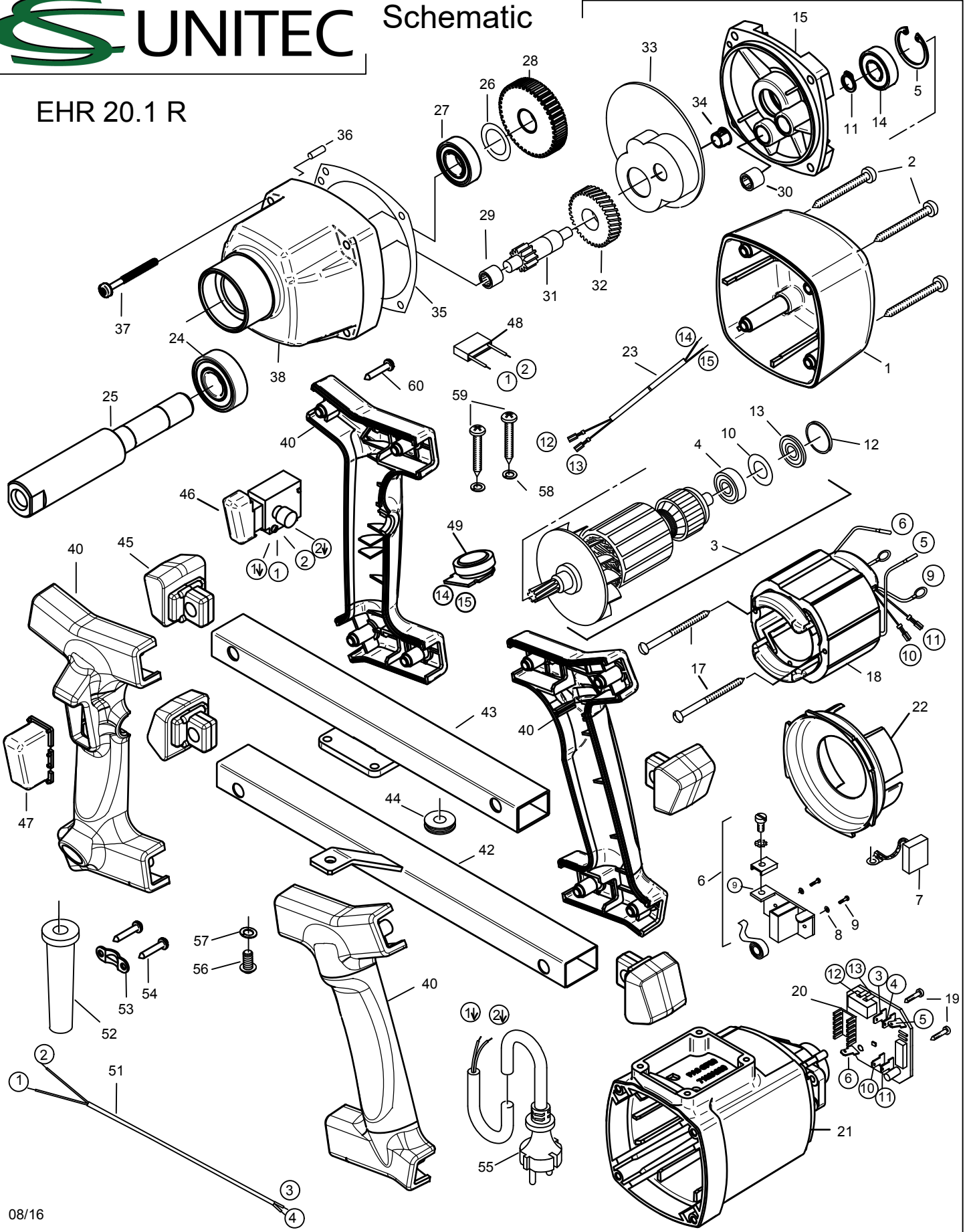


### EHR 20.1 R



# EHR 20.1 R - 120 V USA Specific Items

0731V, 077A7

| No. | Description     | Order No. | Pcs | No. | Description               | Order No. | Pcs |
|-----|-----------------|-----------|-----|-----|---------------------------|-----------|-----|
| 3   | rotor complete  | 7731E100  | 1   | 20  | PCB / circuit board       | 80601143  | 1   |
| 18  | stator complete | 7731E150  | 1   | 55  | connecting cable 5m, pol. | 80600281  | 1   |

# EHR 20.1 R - 230 V

0731G000

| No. | Description                   | Order No. | Pcs | No. | Description                  | Order No. | Pcs |
|-----|-------------------------------|-----------|-----|-----|------------------------------|-----------|-----|
| 1   | cap                           | 80900182  | 1   | 31  | pinion shaft                 | 7731C490  | 1   |
| 2   | self tapping screw HC 4,8x50  | 80201284  | 4   | 32  | intermediate wheel           | 74010470  | 1   |
| 3   | rotor complete                | 7731B100  | 1   | 33  | grease compartment barrier   | 80900119  | 1   |
| 4   | grooved ball bearing 608 2Z   | 80410011  | 1   | 34  | plug                         | 80900201  | 1   |
| 5   | locking ring 28/1,2           | 80201333  | 1   | 35  | gearbox seal                 | 82000507  | 1   |
| 6   | brush holder                  | 80201196  | 2   | 36  | notched pin plug 4x12        | 80200582  | 1   |
| 7   | carbon brush 6,3x10x18        | 80700013  | 2   | 37  | pt-screw 50x50               | 80201449  | 4   |
| 8   | lock washer B4                | 80201385  | 4   | 38  | gearbox housing black        | 77724400  | 1   |
| 9   | self tapping screw CM4x12     | 80201180  | 4   | 39  |                              |           |     |
| 10  | presspan washer               | 82000951  | 1   | 40  | handle R                     | 7774A26U  | 1   |
| 11  | locking ring 10/1             | 80201305  | 1   | 41  |                              |           |     |
| 12  | o-ring 22x2,5                 | 83000036  | 1   | 42  | side plate 1                 | 7732N591  | 1   |
| 13  | magnetic disc                 | 80701005  | 1   | 43  | side plate 2                 | 7732N592  | 1   |
| 14  | grooved ball bearing 6001 2Z  | 80410031  | 1   | 44  | cable grommet HV 1305        | 83000051  | 1   |
| 15  | end shield of gearing green   | 7731K610  | 1   | 45  | rubber cup                   | 77420594  | 4   |
| 16  |                               |           |     | 46  | switch                       | 80600507  | 1   |
| 17  | self tapping screw HC 3,9x60  | 80201266  | 2   | 47  | cap guard                    | 77420365  | 1   |
| 18  | stator complete               | 7731B150  | 1   | 48  | anti parasite condenser      | 80500010  | 1   |
| 19  | self tapping screw HC 2,9x13  | 80201252  | 2   | 49  | potentiometer complete       | 7731G27U  | 1   |
| 20  | PCB / circuit board           | 80601132  | 1   | 50  |                              |           |     |
| 21  | motor housing                 | 80900092  | 1   | 51  | interconnecting wire         | 80600078  | 1   |
| 22  | air guiding ring              | 80900286  | 1   | 52  | cable grommet                | 83000004  | 1   |
| 23  | control wire                  | 7731B187  | 1   | 53  | wire locking flange          | 85000020  | 1   |
| 24  | grooved ball bearing 6203 2RS | 80410130  | 1   | 54  | self tapping screw HC 4,2x13 | 80201270  | 2   |
| 25  | work spindle                  | 7731S420  | 1   | 55  | connecting cable             | 80600470  | 1   |
| 26  | fitting washer 17/24x0,2      | 80200507  | 1   | 56  | lens head screw HM 6x12      | 80201209  | 1   |
| 27  | grooved ball bearing 6003 2RS | 80410043  | 1   | 57  | lock washer A6               | 80201303  | 1   |
| 28  | spindle wheel                 | 7731C430  | 1   | 58  | lock washer 5                | 80201302  | 4   |
| 29  | needle sleeve HK 1010         | 80420115  | 1   | 59  | plastic screw Torx 5x20      | 80201277  | 4   |
| 30  | needle sleeve HK 0810         | 80420110  | 1   | 60  | pt-screw 50x30               | 80201411  | 8   |

08/16