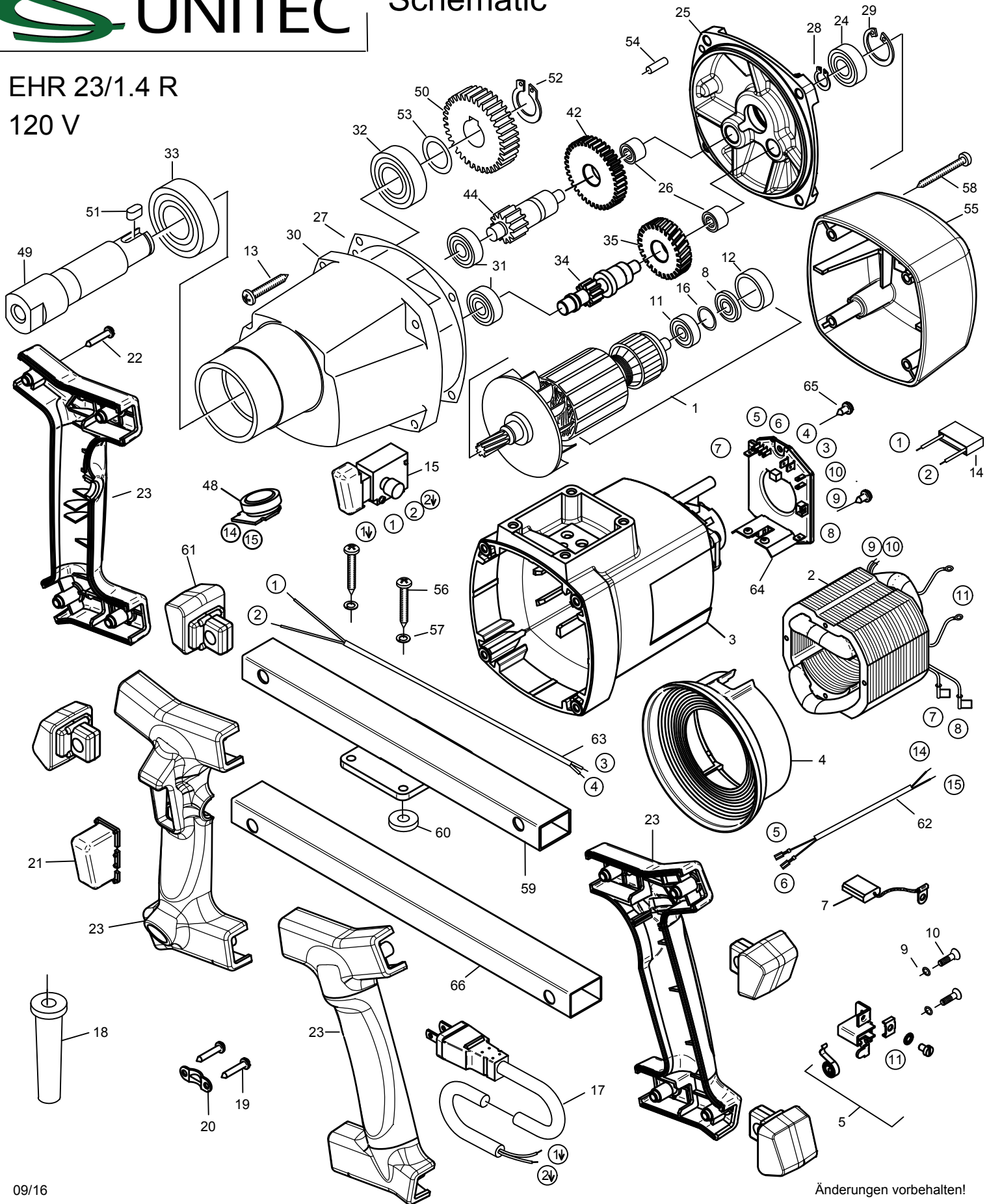


EHR 23/1.4 R

120 V



EHR 23/1.4 R - 120 V USA

0741U, 077A8

No.	Description	Order No.	Pcs	No.	Description	Order No.	Pcs
1	rotor complete	7741F100	1	34	intermediate shaft 1	77410490	1
2	stator complete	7142E150	1	35	intermediate wheel	7742P550	1
3	motor housing	80900042	1	36			
4	air guiding ring	71540144	1	37			
5	brush holder	80201199	2	38			
6				39			
7	carbon brush 6,3x16x20L82F10	80700019	2	40			
8	ring magnet	80701004	1	41			
9	lock washer B4	80201385	4	42	intermediate wheel 2	71410470	1
10	self tapping screw CM4x12	80201180	4	43			
11	grooved ball bearing 6000 2Z	80410021	1	44	intermediate shaft 2	71410500	1
12	bearing cap	83000031	1	45			
13	self tapping screw HC 5,5x38	80201292	4	46			
14	anti parasite condenser	80500010	1	47			
15	switch	80600507	1	48	potentiometer complete	7731G27U	1
16	disc	73320999	1	49	work spindle	77420420	1
17	connecting cable	80600085	1	50	spindle wheel	71410430	1
18	cable grommet	83000004	1	51	fitting key 6x6x11	80200604	1
19	self tapping screw HC 4,2x13	80201270	2	52	locking ring 20/1,2	80201324	1
20	wire locking flange	85000020	1	53	fitting washer 20/28x0,1	80200509	1
21	cap guard	77420365	1	54	notched pin plug 5x16	80200580	1
22	pt-screw 50x30	80201411	8	55	cap	80900189	1
23	handle R	7774A26U	1	56	plastic screw Torx 6x20	80201278	4
24	grooved ball bearing 6001 2Z	80410031	1	57	lock washer 5	80201302	4
25	end shield of gearing green	77431610	1	58	self tapping screw HC 4,8x45	80201267	4
26	needle sleeve HK 0810	80420110	2	59	side plate 2	7743D592	1
27	gearbox seal	82000509	1	60	cable grommet HV 1305	83000051	1
28	locking ring 11/1	80201320	1	61	rubber cup	77420594	4
29	locking ring 28/1,2	80201333	1	62	control wire	7731B187	1
30	gearbox housing black	7741L400	1	63	interconnecting wire	80600078	1
31	grooved ball bearing 6000	80410020	2	64	PCB / circuit board	7741B280	1
32	grooved ball bearing 6004 2RS	80410051	1	65	self tapping screw HC 4,2x9,5	80201269	2
33	grooved ball bearing 6205 2RS	80410151	1	66	side plate 1	7743D591	1

09/16