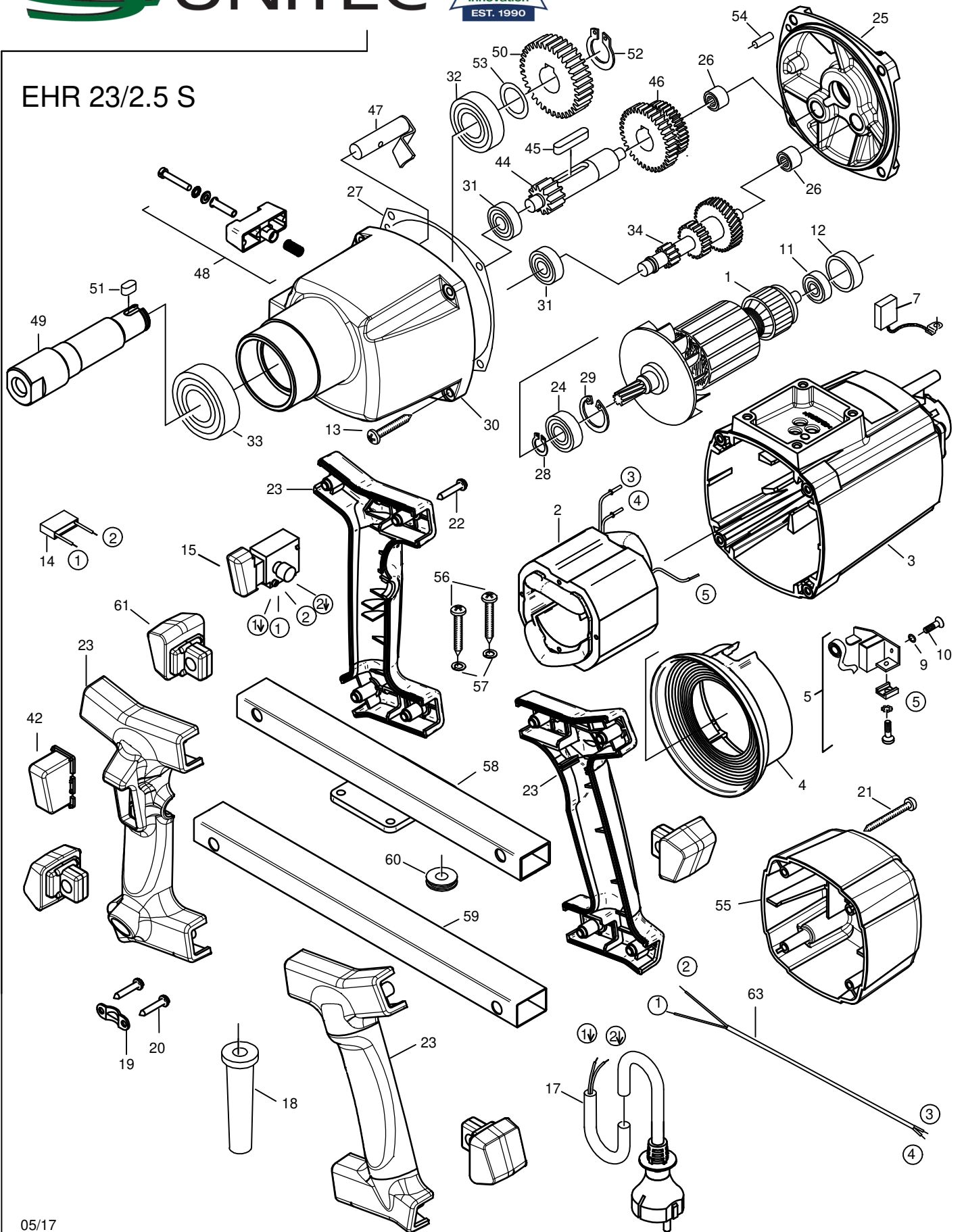


## EHR 23/2.5 S



05/17

274E1000-01

### EHR 23/2.5 S - 120 V Parts list

Pos.	Description	Item No.	pc.
1	Rotor, compl. 110V	7842B100	1
2	Stator, compl. 110V	7742D150	1
3	Motor housing	674E1002	1
4	Air guiding ring	71540144	1
5	Brush holder, compl.	80201199	2
7	Carbon brush 6,3x16x20	80700019	2
9	Spring washer 4	80201385	4
10	Screw M4x12	80201180	4
11	Grooved ball bearing 6000 2Z	80410021	1
12	Bearing cap	83000031	1
13	Screw 5,5x38	80201292	4
14	Capacitor	80500010	1
15	Switch	80600140	1
17	Connecting cable 2x14 AWG 5m	80600281	1
18	Cable grommet	83000004	1
19	Wire locking flange	85000020	1
20	Screw 4,2x13	80201270	2
21	Screw 4,8x45	80201267	4
22	Screw 5x30	80201411	8
23	Pair of handle halves S	7711P26U	1
24	Grooved ball bearing 6001 2Z	80410031	1
25	End shield of gearing	77431610	1
26	Needle sleeve HK0810	80420110	2
27	Gearbox seal	82000509	1
28	Retaining ring 11x1	80201320	1
29	Retaining ring 28x1,2	80201333	1
30	Gearbox housing	7742N400	1
31	Grooved ball bearing 6000	80410020	2
32	Grooved ball bearing 6004 2RS	80410051	1
33	Grooved ball bearing 6205 2RS	80410151	1
34	Intermediate shaft 1	7742P55U	1
42	Trigger cover	77420365	1
44	Intermediate shaft 2	77420500	1
45	Parallel key 6x6x32	80200607	1
46	Gear block	71421440	1
47	Coupling bolt, compl.	71421520	1
48	Gear changer, compl.	7732H545	1
49	Work spindle	77420420	1
50	Spindle wheel	71410430	1
51	Parallel key 6x6x11	80200604	1
52	Retaining ring 20x1,2	80201324	1
53	Fitting washer 20x28x0,1	80200509	1
54	Grooved pin 5x16	80200580	1
55	Cap	674E1001	1
56	Screw 6x20	80201278	4
57	Spring lock washer 5	80201302	4
58	Side plate 2	7743D592	1
59	Side plate 1	7743D591	1

60	Cable grommet HV1305	83000051	1
61	Rubber buffer	77420594	4
63	Interconnecting wire	80600072	1