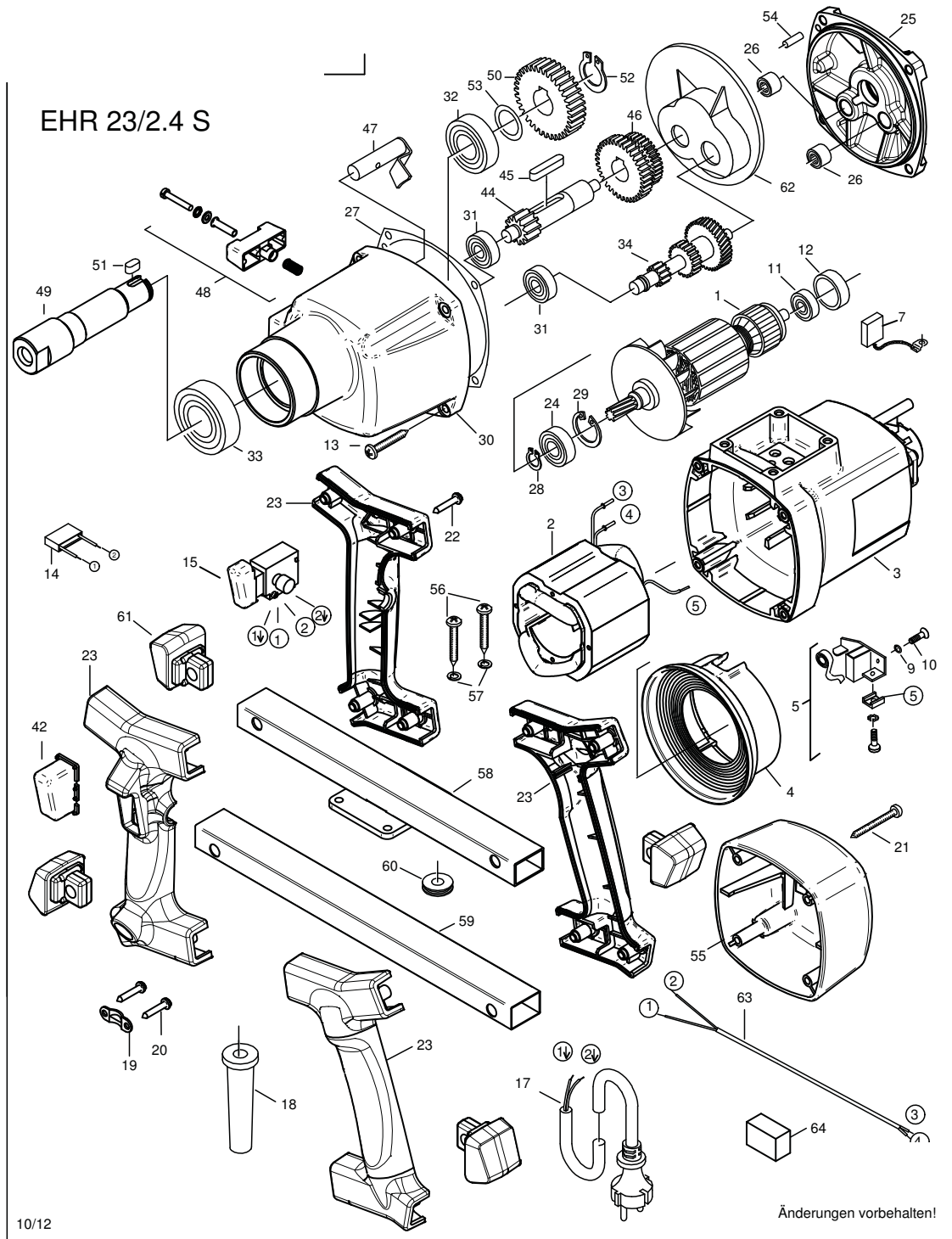


PLEASE SPECIFY TOOL MODEL # WHEN ORDERING PARTS

| | | |
|------------------------|------------------------------|----------------------------|
| PARTS BREAKDOWN | Model #: EHR 23 2.4 S | Bulletin #: 08-2016 |
| PARTS LISTING | Description: Mixer | Prepared By: SCW |
| WIRING DIAGRAM | Date: 8/5/2016 | |

EHR 23 2.4 S MIXER BREAKDOWN



PLEASE SPECIFY TOOL MODEL # WHEN ORDERING PARTS

| | | |
|------------------------|------------------------------|----------------------------|
| PARTS BREAKDOWN | Model #: EHR 23 2.4 S | Bulletin #: 08-2016 |
| PARTS LISTING | Description: Mixer | Prepared By: SCW |
| WIRING DIAGRAM | Date: 8/5/2016 | |

EHR 23 2.4 S MIXER BREAKDOWN

| Pos. # | Part # | Description |
|--------|----------|-------------------------------|
| 1 | 7842B100 | rotor complete - 110 V |
| 2 | 7742D150 | stator complete - 110 V |
| 3 | 80900042 | motor housing |
| 4 | 71540144 | air guiding ring |
| 5 | 80201199 | brush holder |
| 7 | 80700019 | carbon brush 6,3x16x-20L82F10 |
| 9 | 80201385 | lock washer B4 |
| 10 | 80201180 | self tapping screw CM4x12 |
| 11 | 80410021 | grooved ball bearing 6000 2Z |
| 12 | 83000031 | bearing cap |
| 13 | 80201292 | self tapping screw HC 5,5x38 |
| 14 | 80500010 | anti parasite condenser |
| 15 | 80600140 | switch - 110 V |
| 17 | 80600281 | connecting cable - 110 V |
| 18 | 83000004 | cable grommet |
| 19 | 85000020 | wire locking flange |
| 20 | 80201270 | self tapping screw HC 4,2x13 |
| 21 | 80201267 | self tapping screw HC 4,8x45 |
| 22 | 80201411 | pt-screw 50x30 |
| 23 | 7711P26U | handle tube S |
| 24 | 80410031 | grooved ball bearing 6001 2Z |
| 25 | 77431610 | end shield of gearing green |
| 26 | 80420110 | needle sleeve HK 0810 |
| 27 | 82000509 | gearbox seal |
| 28 | 80201320 | locking ring 11/1 |
| 29 | 80201333 | locking ring 28/1,2 |
| 30 | 7742N400 | gearbox housing black |

| Pos. # | Part # | Description |
|--------|----------|-------------------------------|
| 31 | 80410020 | grooved ball bearing 6000 |
| 32 | 80410051 | grooved ball bearing 6004 2RS |
| 33 | 80410151 | grooved ball bearing 6205 2RS |
| 34 | 7742P55U | intermediate shaft |
| 42 | 77420365 | cap guard |
| 44 | 77420500 | intermediate shaft 2 |
| 45 | 80200607 | fitting key A6x6x32 |
| 46 | 71421440 | gear block |
| 47 | 71421520 | coupling bolt complete |
| 48 | 7732H545 | gear changer complete |
| 49 | 77420420 | work spindle |
| 50 | 71410430 | spindle wheel |
| 51 | 80200604 | fitting key 6x6x11 |
| 52 | 80201324 | locking ring 20/1,2 |
| 53 | 80200509 | fitting washer 20/28x0,1 |
| 54 | 80200580 | notched pin plug 5x16 |
| 55 | 80900189 | cap |
| 56 | 80201278 | plastic screw Torx 6x20 |
| 57 | 80201302 | lock washer 5 |
| 58 | 7743D592 | side plate 2 |
| 59 | 7743D591 | side plate 1 |
| 60 | 83000051 | cable grommet HV 1305 |
| 61 | 77420594 | rubber cup |
| 62 | 80900123 | grease compartment barrier |
| 63 | 80600072 | interconnecting wire |
| 64 | 80600306 | foam filler |



PLEASE SPECIFY TOOL MODEL # WHEN ORDERING PARTS

| | | |
|------------------------|------------------------------|----------------------------|
| PARTS BREAKDOWN | Model #: EHR 23 2.4 S | Bulletin #: 08-2016 |
| PARTS LISTING | Description: Mixer | Prepared By: SCW |
| WIRING DIAGRAM | Date: 8/5/2016 | |

EHR 23 2.4 S MIXER BREAKDOWN

For 230 V Version

| Pos. # | Part # | Description |
|---------------|---------------|--------------------------|
| 1 | 7842A100 | rotor complete - 230 V |
| 2 | 7742A150 | stator complete - 230 V |
| 15 | 80600135 | switch - 230 V |
| 17 | 80600470 | connecting cable - 230 V |