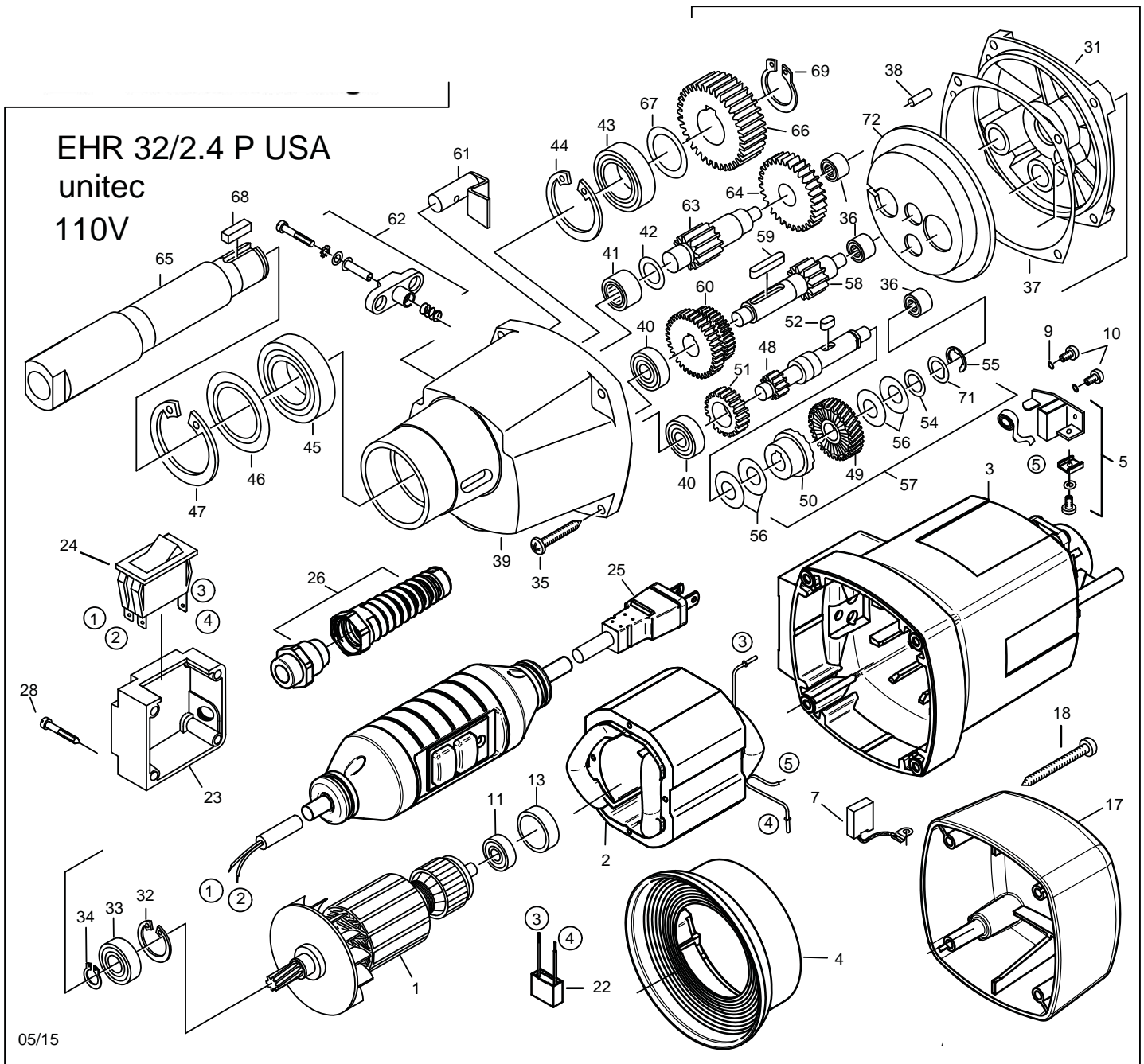


PLEASE SPECIFY TOOL MODEL # WHEN ORDERING PARTS

PARTS BREAKDOWN	Model #: EHR 32/2.4 P	Bulletin #: 04-2016
PARTS LISTING	Description: Motor (PMH80-Series Hippo)	Prepared By: SCW
WIRING DIAGRAM	Date: 4/5/2016	

EHR 32/2.4 P MOTOR BREAKDOWN



PLEASE SPECIFY TOOL MODEL # WHEN ORDERING PARTS

PARTS BREAKDOWN	Model #: EHR 32/2.4 P	Bulletin #: 04-2016
PARTS LISTING	Description: Motor (PMH80-Series Hippo)	Prepared By: SCW
WIRING DIAGRAM	Date: 4/5/2016	

EHR 32/2.4 P MOTOR PARTS LIST

Pos. #	Part #	Description
1	7154G100	rotor complete
2	7154D150	stator complete
3	80900042	motor housing
4	71540144	air guiding ring
5	80201199	brush holder
7	80700019	carbon brush 6,3x16x-20L82F10
9	80201385	lock washer B4
10	80201180	self tapping screw CM4x12
11	80410021	grooved ball bearing 6000 2Z
13	83000031	bearing cap
17	80900189	cap
18	80201267	self tapping screw HC 4,8x45
22	80500010	anti parasite condenser
23	73420631	switch box
24	80600119	switch ETA 20 A
25	77529262	connecting cable
26	80600170	cable guard
28	80201292	self tapping screw HC 5,5x38
31	7152H610	end shield of gearing green
32	80201333	locking ring 28/1,2
33	80410031	grooved ball bearing 6001 2Z
34	80201320	locking ring 11/1
35	80201292	self tapping screw HC 5,5x38
36	80420110	needle sleeve HK 0810
37	82000509	gearbox seal
38	80200580	notched pin plug 5x16
39	77529400	gearbox housing black
40	80410020	grooved ball bearing 6000

Pos. #	Part #	Description
41	80420001	needle bearing RNA 4900
42	71540517	disc
43	80410061	grooved ball bearing 6005 2RS
44	80201336	locking ring 47/1,75
45	80410071	grooved ball bearing 6006 2RS
46	71540426	disc
47	80201338	locking ring 55/2
48	71521490	intermediate shaft 13 Z.
49	7154F550	clutch wheel
50	71540560	coupling half
51	71521470	intermediate wheel 28 Z.
52	80200600	fitting key 5x5x10
54	71540607	pressure washer
55	80201361	lock washer 9
56	80200713	spring washer 28x12,1x1
57	77526493	clutch complete
58	71521500	intermediate shaft 12 Z.
59	80200602	fitting key A5x5x28
60	71521440	gear block 39/25 Z.
61	71521520	coupling bolt complete
62	7154A545	gear changer complete
63	71521510	intermediate shaft 12 Z.
64	71521480	intermediate wheel 31 Z.
65	7752G420	work spindle
66	71540430	spindle wheel
67	80200512	fitting washer 25x0,1
68	80200606	fitting key B6x6x20
69	80201326	locking ring 24/1,2
71	71540606	pressure washer
72	80900111	grease compartment barrier