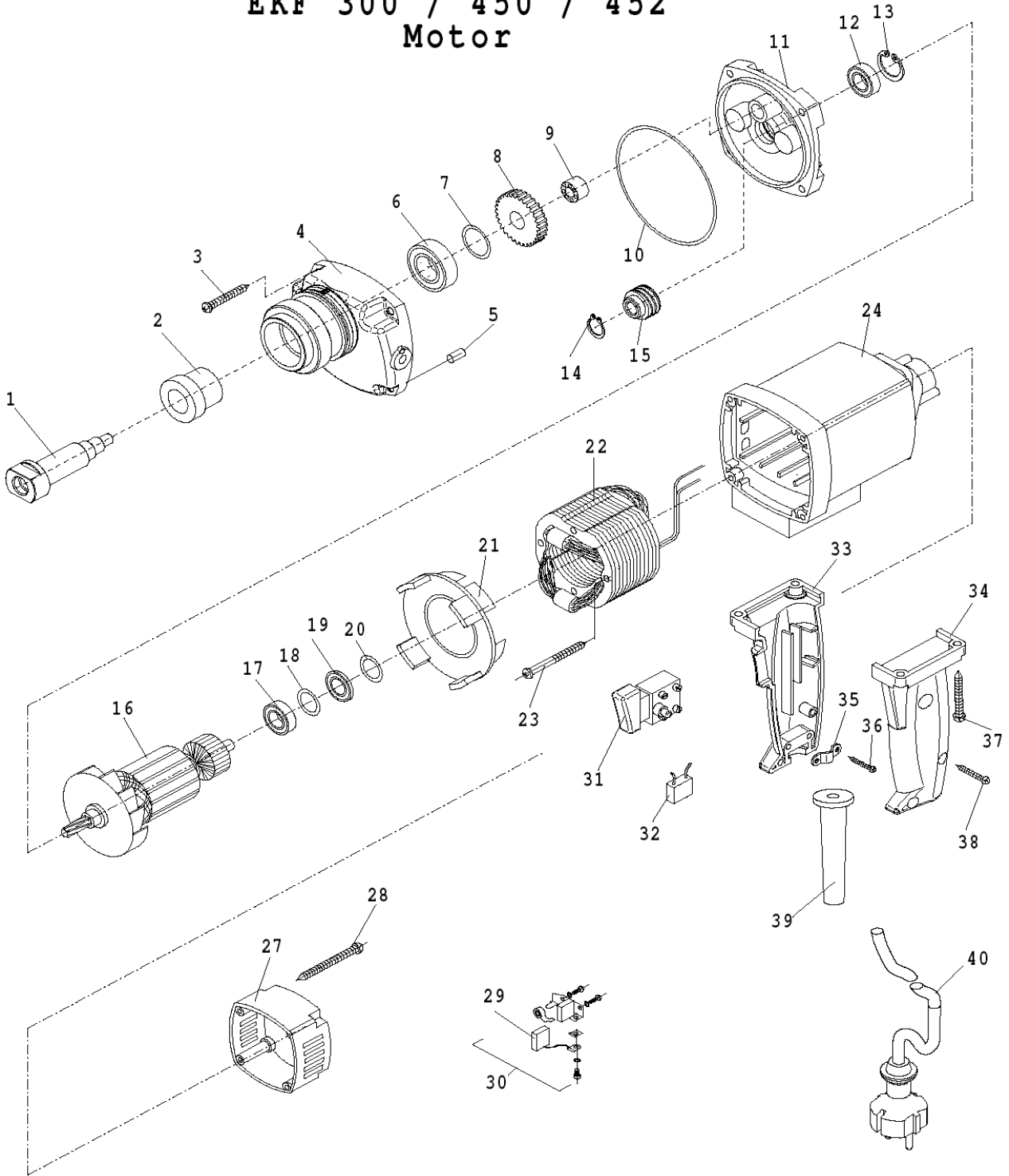


# EKF 300 / 450 / 452 Motor



## Unitec Spare Parts Price List

### EKF 300.3 / 450.3 / 452.3 Motor complete

Pos. No.	Part #	Denomination
1	5012601	Spindle
2	5012611	Axial needle
3	5012621	Screw HC 4,8 x 38
4	5012631	Gearbox housing
5	5010291	Pin 4x12
6	5012641	Ball bearing 6002 2RS
7	5012651	Washer 12/18x0,2
8	5012661	Spindle wheel 22 teeth
9	5010351	Needle bearing HK 0810
10	5013481	Transmission seal 85x1,78
11	5012681	Shield plate
12	5010081	Ball bearing 6001 2Z
13	5010271	Circlip ring 28/1,2
14	5010711	Circlip ring 11/1
15	5012691	Worm seal 1
16	5012701	Armature 220V
16 A	5012711	Armature 110V
17	5010061	Ball bearing 608 2Z
18	5011741	Pressboard washer
19	5010781	Magnet washer
20	5010591	Washer 22x2,5
21	5010641	Air conducting ring
22	5012731	Field coil 220V
22 A	5012741	Field coil 110V
23	5010031	Screw C3,9x 60
24	5010701	Motor housing, blue
27	5010691	Cap for motor
28	5010581	Screw HC 4,8 x 45
29	5014571	Carbon brush
30	5010561	Carbon brush holder
31	5012781	Switch
32	5012791	Decoupling capacitor
33	5012801	Handle
34	5012811	Handle
35	5012821	Clamping piece for pass release
36	5010021	Screw HC 4,2 x 13
37	5012831	Screw HC 4,8 x 22
38	5012841	Screw HC 4,2 x 16
39	5012851	Cable grommet
40	7010042	Connection cable

**Unitec Spare Parts Price List / Ersatzteilpreisliste 2011**

**Entgrat- & Anfasmachine / Deburring & Chamfering Mach**

<b>Pos. No.</b>	<b>Part #</b>	<b>Denomination</b>
1	5012861	Motor (electric)
2	5012871	O-ring RDR DIN 3770-52x3
3	5012881	Handle complete
4	5012891	Spring ring DIN 128 - A10 - FSt
5	5012901	Screw DIN 933 M10x16
6	7012001	Milling tool 45° without guide bush and high speed inserts
6 A	7012011	Milling tool 30° without guide bush and high speed inserts
6 B	7012201	Milling tool 45° with radius without guide bush and high speed inserts
7	SHM 200	High speed inserts
7 B	SHM 202	High speed inserts, R = 2,5 mm
8	7012021	Screw SS-3,0-1
9	7012031	Guide bush 45°
9 A	7012041	Guide bush 30°
10	7012051	Ball bearing DIN 625-1 628/6-2Z (2 pcs.)
11	7012061	Nut DIN 985-M5
12	ZFR 450.3	Guide bush 45° with guide bush, without high speed inserts
12 A	ZFR 450.3	Guide bush 30° with guide bush, without high speed inserts
12 B	ZFR 450.3	Guide bush 45°, R = 2,5 mm with guide bush, without high speed inserts
13	5012911	Set screw DIN 913 M3x4
14	7012071	Scale
15	7012081	Block head
16	7012091	Screw
17	7012101	Trip disc
18	5012921	Screw M4 x 8