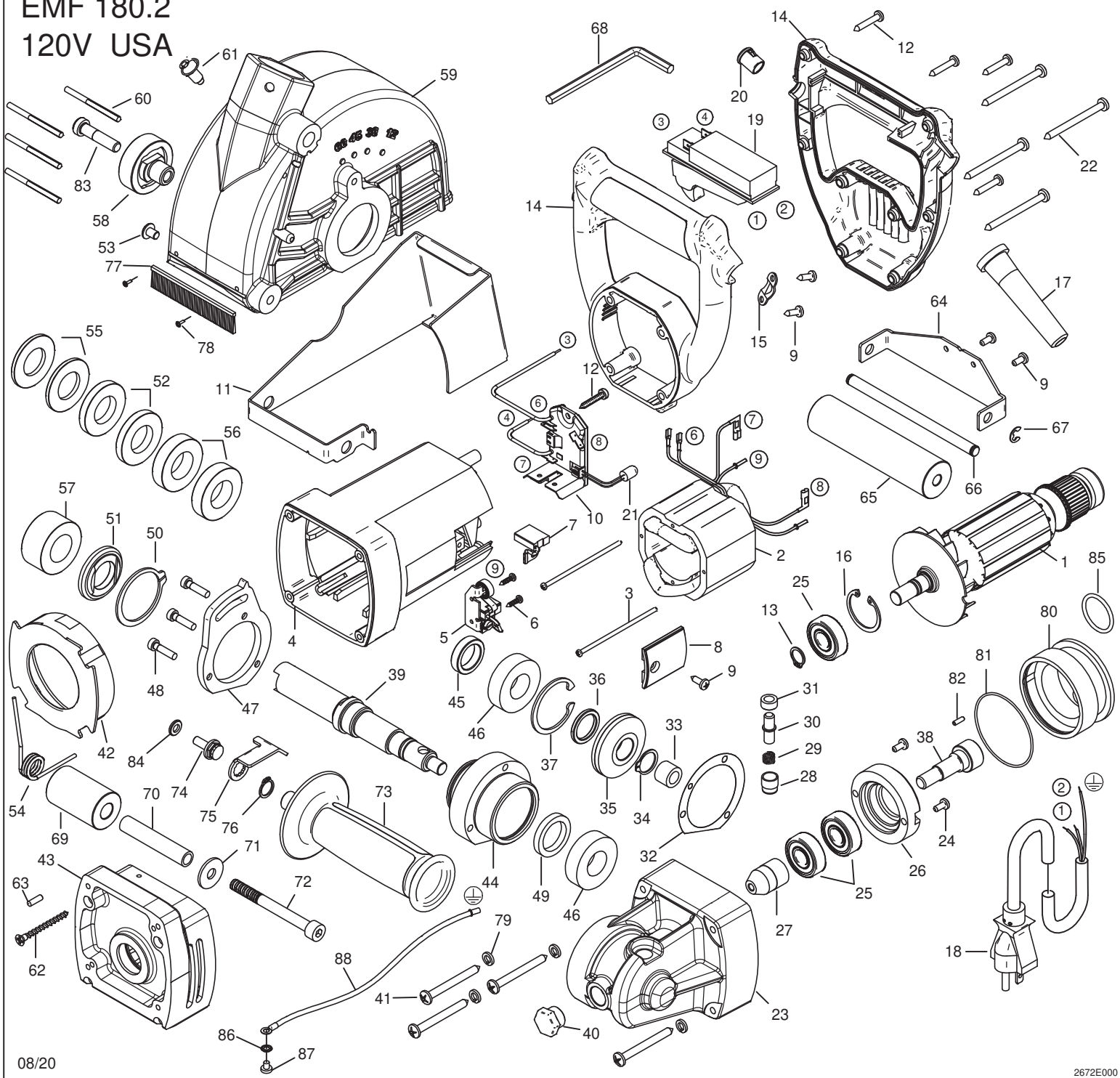


EMF 180.2
120V USA



08/20

2672E000

EMF 180.2 U - 120 V USA

0672E000

No.	Description	Order No.	Pcs	No.	Description	Order No.	Pcs
1	rotor complete	76722100	1	45	spacer 1	76711415	1
2	stator complete	76722150	1	46	grooved ball bearing 6004 2RS	80410051	2
3	special screw Meplast 3x78	80201234	2	47	punched disc	76721405	1
4	motor housing	80900069	1	48	screw M5x30	80201616	3
5	brush holder	80201199	2	49	shaft seal ring 24x36x7	83000205	1
6	self tapping screw HC 2,9x13	80201252	4	50	locking ring 42/1,75	80201349	1
7	carbon brush 6,3x16x20L41F13	80700040	2	51	flange	76711580	1
8	brush holder cover	80900073	2	52	ring	76701587	2
9	self tapping screw HC 4,2x13	80201270	6	53	lens head screw M6x8	80201212	1
10	PCB / circuit board	80601156	1	54	torsion spring	7671A577	1
11	dust protection	7672C650	1	55	ring 2	76711585	2
12	self tapping screw HC 4,2x25	80201273	6	56	ring 5	76711588	2
13	locking ring 12/1	80201321	1	57	ring 19,5mm	76711581	1
14	handle segment	80900268	1	58	clamping sleeve	7672C425	1
15	wire locking flange	85000020	1	59	suction hood	7672C575	1
16	locking ring 32x1,2	80201351	1	60	cylinder pin 4x80	80200636	4
17	cable grommet	83000004	1	61	snap bolt	80110101	1
18	connecting cable 3/14 AWG, 5m	76716263	1	62	fastener 4,5x60	80201425	4
19	switch	80600506	1	63	notched pin plug 4x12	80200582	2
20	fastener	80601153	1	64	roll mounting	76721578	1
21	LED	80601154	1	65	roller 1	76711574	1
22	self tapping screw HC 4,8x60	80201285	4	66	axle	76711573	1
23	gearbox housing	76721400	1	67	lock washer 6	80201504	2
24	allen screw M5x16	80201446	2	68	spanner SW 6	80430043	1
25	grooved ball bearing 6201 LUZ	80410101	3	69	roller 2	7671A576	1
26	clamp ring	76721410	1	70	clamp tube	76711577	1
27	bevel pinion	85000313	1	71	washer 8,4	80201391	1
28	bush 1	75412554	1	72	screw M8x80	80201222	1
29	compression spring 0,7x8,5x9x1,5	80200802	1	73	handle	73320595	1
30	bolt	75412425	1	74	locking screw	76711407	1
31	bush 2	75412555	1	75	clamping lever	76711408	1
32	gearbox seal	82000516	1	76	locking ring 11/1	80201320	1
33	needle sleeve DL 1012	80420116	1	77	brush strip	76728597	1
34	locking ring 17/1	80201323	1	78	screw M4x6 ISO 7380 F	80201462	2
35	bevel gear	85000314	1	79	lock washer 5	80201302	4
36	spacer 2	76711425	1	80	grease compartment	76721625	1
37	locking ring 42/1,75	80201335	1	81	o-ring 58x1,5	83000209	1
38	intermediate shaft	76721500	1	82	cylinder pin 3m6x10	80200577	1
39	work spindle	7672C420	1	83	allen screw M8x35	80201126	1
40	cap screw 3/8"	85000224	1	84	disc 6,4	80201375	1
41	lens head screw M5x45	80201231	4	85	o-ring 26x2,6	83000090	1
42	air guiding ring	76607141	1	86	tooth lock washer A4,3	80200752	1
43	end shield of gearing	76725610	1	87	lens head screw M4x5	80201448	1
44	frame	76711410	1	88	ground wire	73B42185	1