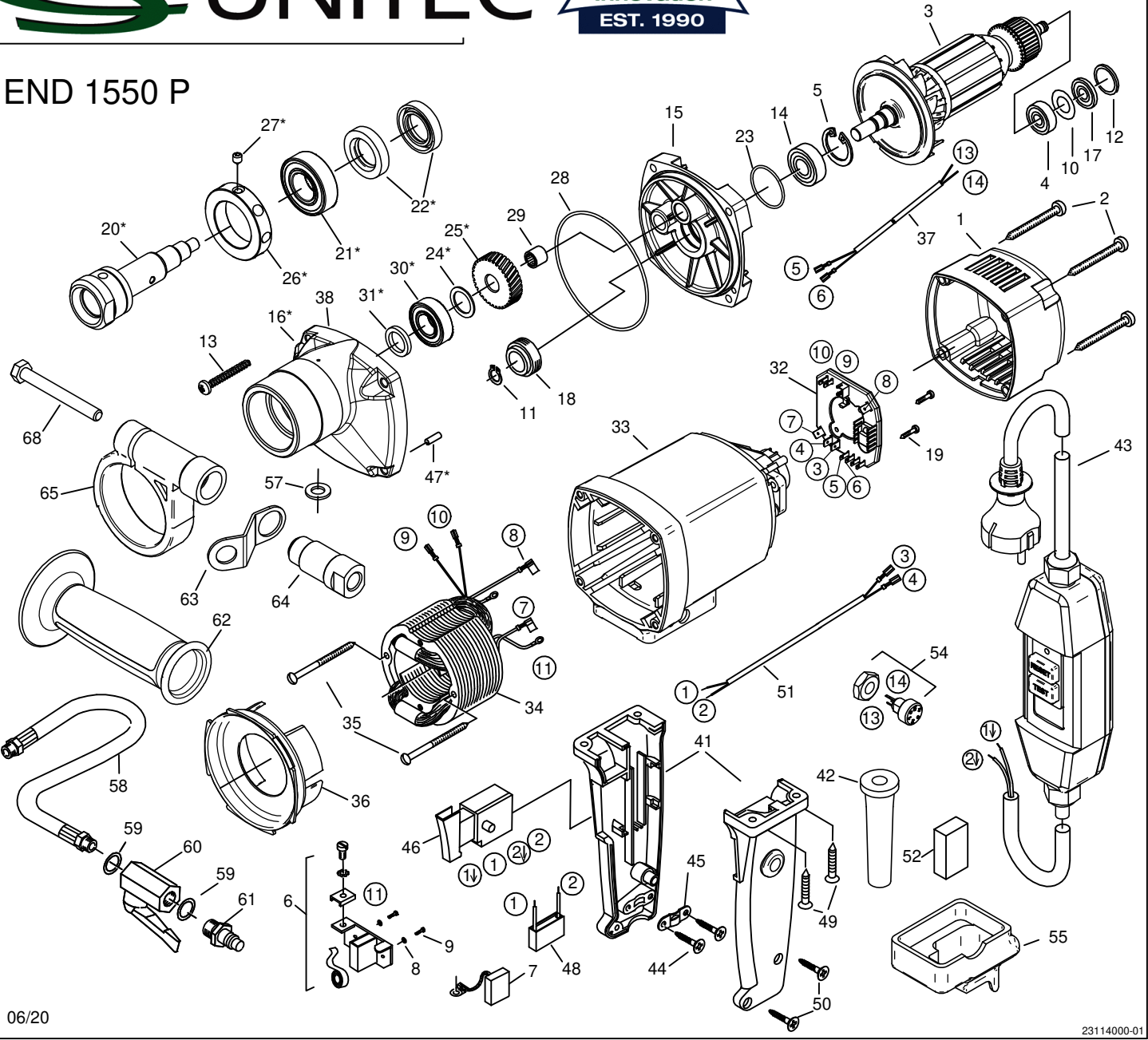


END 1550 P



END 1550 P - 120 V Version

Pos.	Description	Item No.	pc.
1	Cap	80900093	1
2	Screw 4,8x45	80201267	4
3	Rotor, compl. 110V	75514100	1
4	Grooved ball bearing 608 2Z	80410011	1
5	Retaining ring 28x1,2	80201333	1
6	Brush cover holder, compl.	80201195	2
7	Carbon brush 6,3x12,5x18	80700034	2
8	Spring washer 4	80201385	4
9	Screw M4x12	80201180	4
10	Fibre washer 7x12x1	82000951	1
11	Retaining ring 9x1	80201308	1
12	O-ring 22x2,5	83000036	1
13	Screw 5x35	80201456	4
14	Grooved ball bearing 6001 2RS	80410032	1
15	End shield of gearing	76301610	1
16	Gearbox housing	73114400	1
17	Magnetic ring 19,4x7x6	80701005	1
18	Worm Seal 1	75513125	1
19	Screw 2,9x13	80201252	2
20	Work spindle	73114420	1
21	Grooved ball bearing 6004 2RS	80410051	1
22	Shaft seal 20x35x7	83000034	2
23	O-ring 28x1,5	83000191	1
24	Shim ring 15x21x0,2	80200504	1
25	Spindle Wheel 33 Z.	75510432	1
26	Lock ring	73114425	1
27	Threaded pin M6x10	80200759	1
28	O-ring 85x1,78	83000000	1

Pos.		Item No.	pc.
29	Needle sleeve HK0810	80420110	1
30	Grooved ball bearing 6002 2RSL	80410038	1
31	Shaft seal 15x21x3	83000042	1
32	Printed circuit board	80601147	1
33	Motor housing	73114200	1
34	Stator, compl. 110V	7311J150	1
35	Screw 3,9x60	80201266	2
36	Air guiding ring	80900286	1
37	Control wire	77314187	1
38	Gearbox housing, compl. (*)	7311440U	1
41	Pair of handle halves	80900097	1
42	Cable grommet	83000004	1
43	Connecting cable PRCD 2x14AWG 5m	7342G262	1
44	Screw 4,2x13	80201270	2
45	Wire locking flange	85000020	1
46	Switch	80600507	1
47	Grooved pin 4x12	80200582	1
48	Capacitor	80500010	1
49	Screw 4,8x22	80201280	4
50	Screw 4,2x16	80201271	2
51	Interconnecting wire	7152B184	1
52	Foam filler	80600306	1
54	Potentiometer	73114300	1
55	Hand guard	73114266	1
57	Seal ring 1/8"	83000106	1
58	Connecting hose	83000109	1
59	Seal ring 1/4"	83000107	2
60	Ball valve with handlever	83000100	1
61	Connecting piece	83000124	1
62	Handle, compl.	73320595	1
63	Mounting panel	73114270	1



Pos.		Item No.	pc.
64	Adapter	73320682	1
65	Clamp	73320697	1
68	Screw M8x70	80201128	1