

**CS UNITEC, INC.**

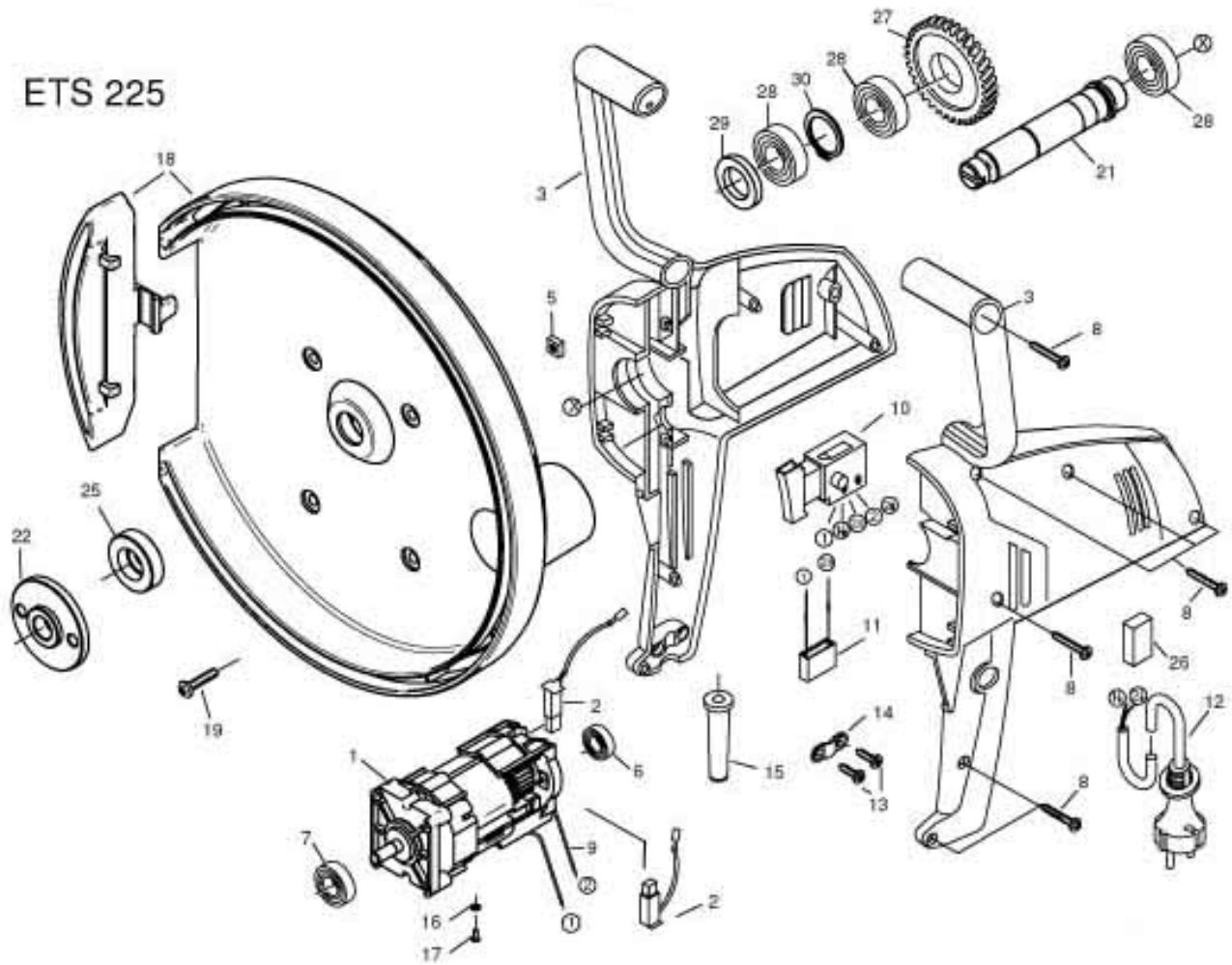
22 Harbor Avenue  
Norwalk, CT 06850

Website: [www.csunitec.com](http://www.csunitec.com)

Email: [info@csunitec.com](mailto:info@csunitec.com)

**Model ETS 225 – 9" Drywall Sander**

ETS 225



*Not responsible for typographical errors.*

<u>POS. NO.</u>	<u>ITEM NO.</u>	<u>DESCRIPTION</u>
1	76206100	Motor Complete
2	80700036	Carbon Brush, Complete
3	80900163	Motor Housing
5	80201031	Square Nut
6	80410025	Bearing
7	80410026	Bearing
8	80201229	Tapping Screw
9	80600077	Wire
10	80600140	Switch
11	77018305	Condensor
12	80600085	Cord
13	80201269	Screw
14	85000020	Clip
15	83000004	Cable Sleeve
16	80201371	Washer
17	80201251	Screw
18	7620340U	Suction Hood Complete
19	80201231	Spring Ring
21	76203420	Work Spindle
22	76203935	Clamping Nut
25	76203933	Support Disc
26	73320210	Contact Washer Replaces 80600306
27	76501471	Intermediate Wheel
28	80410043	Bearing 6003
29	83000500	Seal
30	80201323	Snap Ring

CS Unitec, Inc.

22 Harbor Ave. Norwalk, CT 06850

Telephone: 203-853-9522 Toll Free: 800-700-5919 Fax: 203-853-9921

WebSite: [www.csunitec.com](http://www.csunitec.com) E-Mail: [info@csunitec.com](mailto:info@csunitec.com)