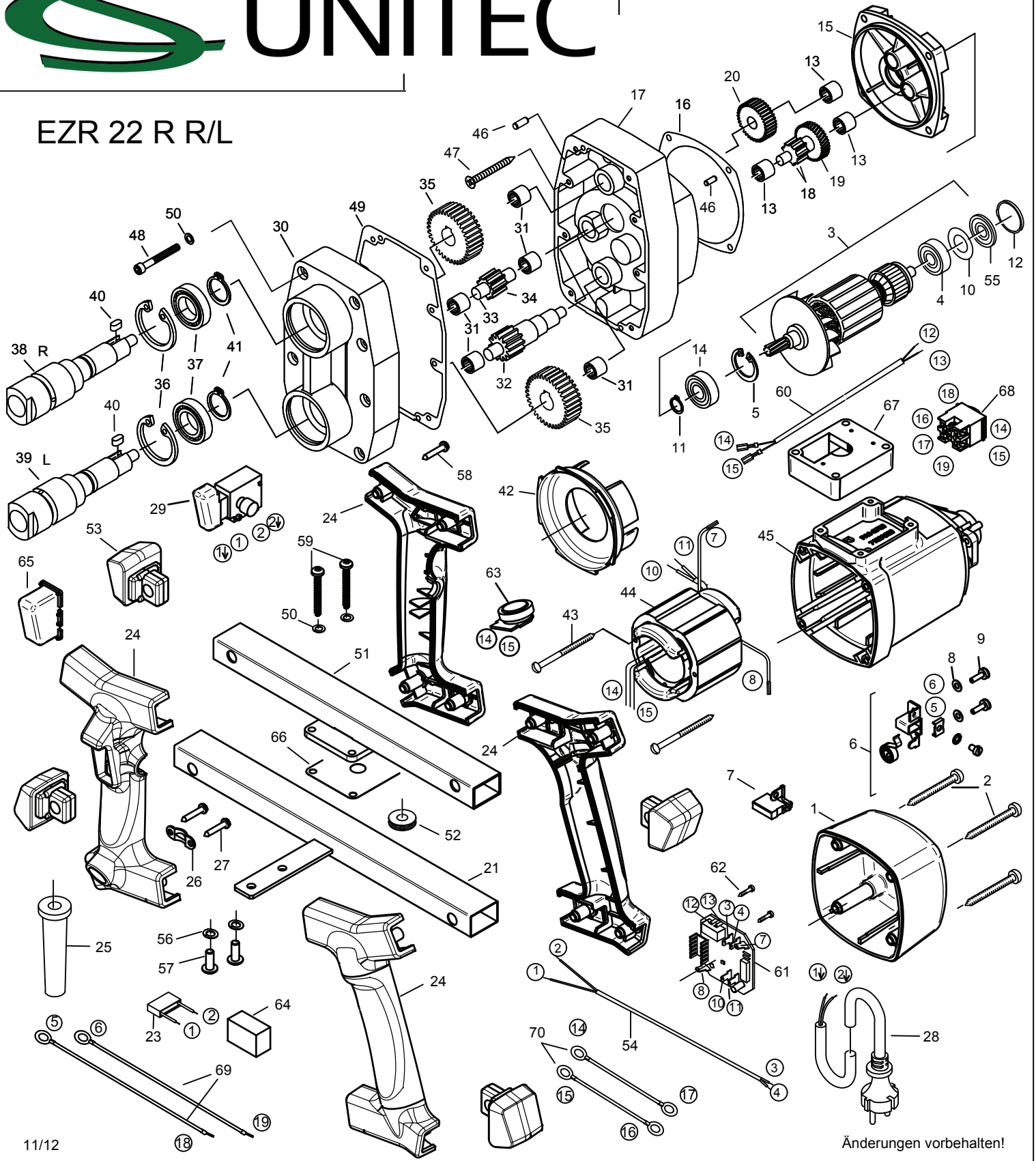


EZR 22 R R/L



11/12

Änderungen vorbehalten!

EZR 22 R R/L - 120 V USA

077A9000

3	rotor complete	76622100	1	44	stator complete	7432N150	1
7	carbon brush 6,3x10x18	80700013	2	61	PCB / circuit board	80601143	1
28	connecting cable 5m, pol.	80600281	1				

07/16

EZR 22 R R/L - 230 V

0774C000

No.	Description	Order No.	Pcs	No.	Description	Order No.	Pcs
1	cap	80900182	1	36	locking ring 42/1,75	80201335	2
2	self tapping screw HC 4,8x50	80201284	4	37	grooved ball bearing 6004 2RS	80410051	2
3	rotor complete	76621100	1	38	work spindle	77810425	1
4	grooved ball bearing 608 2Z	80410011	1	39	work spindle	77810420	1
5	locking ring 28/1,2	80201333	1	40	fitting key 5x5x14	80200609	2
6	brush holder	80201196	2	41	locking ring 20/1,2	80201324	2
7	carbon brush 6,3x10x18 L85F13	80700046	2	42	air guiding ring	80900286	1
8	lock washer B4	80201385	4	43	self tapping screw HC 3,9x60	80201266	2
9	self tapping screw CM4x12	80201180	4	44	stator complete	7432E150	1
10	presspan washer	82000951	1	45	motor housing	7774C200	1
11	locking ring 11/1	80201320	1	46	notched pin plug 4x12	80200582	3
12	o-ring 22x2,5	83000036	1	47	self tapping screw HC4,8x38	80201283	4
13	needle sleeve HK 0810	80420110	3	48	screw M5x40	80201232	8
14	grooved ball bearing 6001 2RS	80410032	1	49	gearbox seal	82000052	1
15	end shield of gearing green	7731K610	1	50	lock washer 5	80201302	12
16	gearbox seal	82000507	1	51	side plate 2	7732N592	1
17	intermediate housing	7774F400	1	52	cable grommet HV 1305	83000051	1
18	pinion shaft	77810500	1	53	rubber cup	77420594	4
19	intermediate wheel	7132A470	1	54	interconnecting wire	80600078	1
20	intermediate wheel	77810470	1	55	magnetic disc	80701005	1
21	side plate 1	7774C591	1	56	lock washer A6	80201303	2
22				57	lens head screw HM 6x16	80201210	2
23	anti parasite condenser	80500010	1	58	pt-screw 50x30	80201411	8
24	handle R	7774A26U	1	59	pt-screw 50x40	80201442	4
25	cable grommet	83000004	1	60	control wire	7731B187	1
26	wire locking flange	85000020	1	61	PCB / circuit board	80601132	1
27	self tapping screw HC 4,2x13	80201270	2	62	self tapping screw HC 2,9x13	80201252	2
28	connecting cable	80600470	1	63	potentiometer complete	7731G27U	1
29	switch	80600158	1	64	foam filler	80600306	1
30	gearbox housing black	7774F410	1	65	cap guard	77420365	1
31	needle sleeve HK1012	80420133	5	66	insulating foil	7632V655	1
32	pinion shaft	77810510	1	67	intermediate block	7774C290	1
33	intermediate shaft	77810490	1	68	reverser	80600110	1
34	reversing wheel	77810480	1	69	wire	80600054	2
35	spindle wheel	77810430	2	70	interconnecting wire	80600243	2