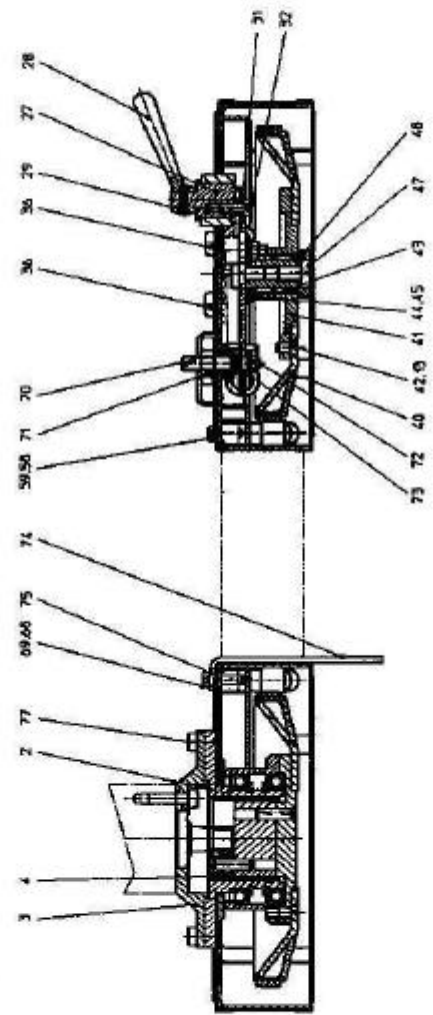
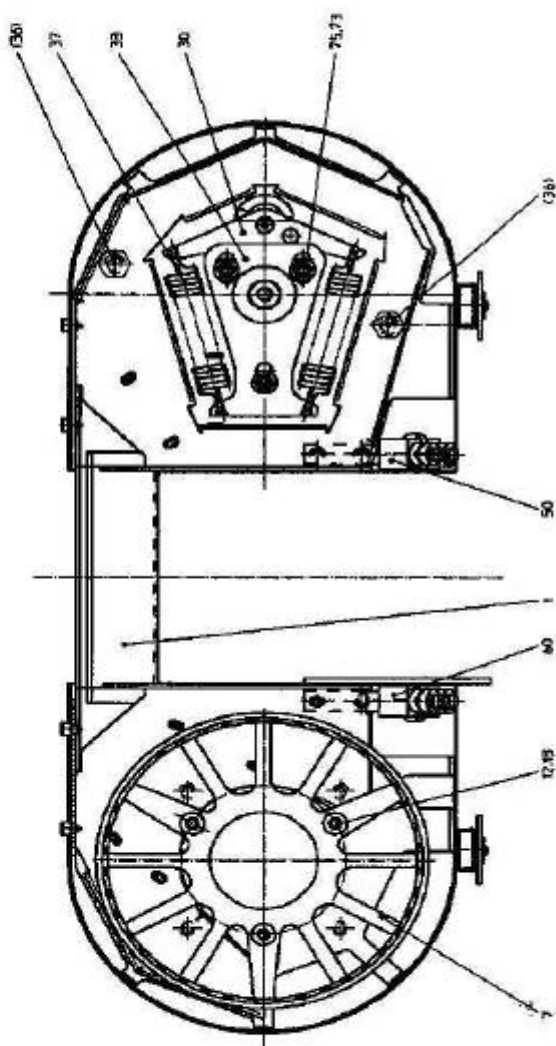
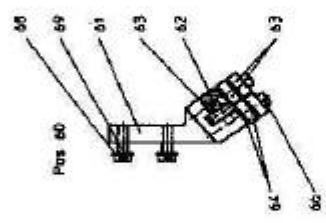
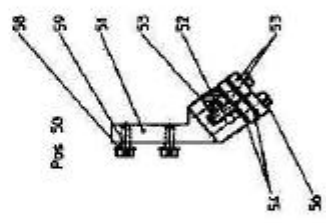


**CS UNITEC, INC.**  
 22 Harbor Avenue  
 Norwalk, CT 06850  
 Website: www.csunitec.com  
 Email: info@csunitec.com

SPARE PARTS LIST	
DESCRIPTION: <b>Band Saw Head</b> (4" Hydraulic)	ORDER-NUMBER: <b>5 6052 8000</b>
Sheet-Nr. : 3/3	Issue: 05/00



**Hydraulic Band Saw**

*Prices to change without notice.  
Not responsible for typographical errors.*

<u>POS. NO.</u>	<u>ITEM NO.</u>	<u>DESCRIPTION</u>	
	5 6030 8050	Drive Rubber	
	5 6030 8080	Drive Wheel	
32 + 59	9 1112 3110	Fillister head screw	See 9 1112 3030
33a	5 6030 7280	Pulley Shaft	
7 + 40	5 6030 8180	Drive Pulley Complete	with 5 6030 8080 & 5 6030 8050
1	5 6031 7000	Frame Assembly	
2	5 6047 4000	Gearbox for Hydraulic Motor	
3	5 6041 4030	Intermediate Flange	
4	5 6042 1070	Shim	
12	9 1113 4070	Counter Sunk Screw	
13	9 1714 0040	Toothed Lock Washer	
27	5 6030 8360	Tension Shaft	
28	5 6030 6210	Tension Lever	
29	9 1630 0020	Tension Pin	
30	5 6003 7040	Yoke	
31	5 6003 7060	Bushing	
33	5 6030 7930	Pulley Assembly, with Pulley	Shaft (5 6030 7280)
36	9 1112 5160	Screw	
37	9 1808 0240	Tension Spring	See 9 1801 0240
41	5 6030 8580	Bearing Ring	
42	9 1113 4080	Counter Sink Screw	
43	9 1014 0330	Needle Bearing	
44	9 3333 0010	Axial Disc	
45	9 3325 0870	Washer	
47	9 1116 5020	Screw, Flat Cap	
48	9 3325 0850	Washer	
50	5 6030 7980	Blade Guide Hardware Packing I	
51	5 6031 8130	Blade Guide Holder	
52	162 973	Pin	
53	9 1001 0290	Blade Guide Bearing	
54	9 3322 0060	Spring Washer	
56	9 1110 2100	Fillister Head Screw	
58	9 3329 0010	Locking Plate	4-24-43-004-05-7
60	5 6031 7990	Blade Guide, Includes	Pos. 51-58 and 69
69	9 1112 3150	Cylinder Head Screw	
70	5 6030 8410	Threaded Pin	
71	9 1203 0310	Nut	
72	9 1203 0330	Nut	
73	9 3302 0020	Disc	4-24-01-003-06-3
74	5 6030 8100	Work Stop	
75	9 1210 0030	Nut	
77	9 1112 4100	Fillister-Head Screw	

CS Unitec, Inc.

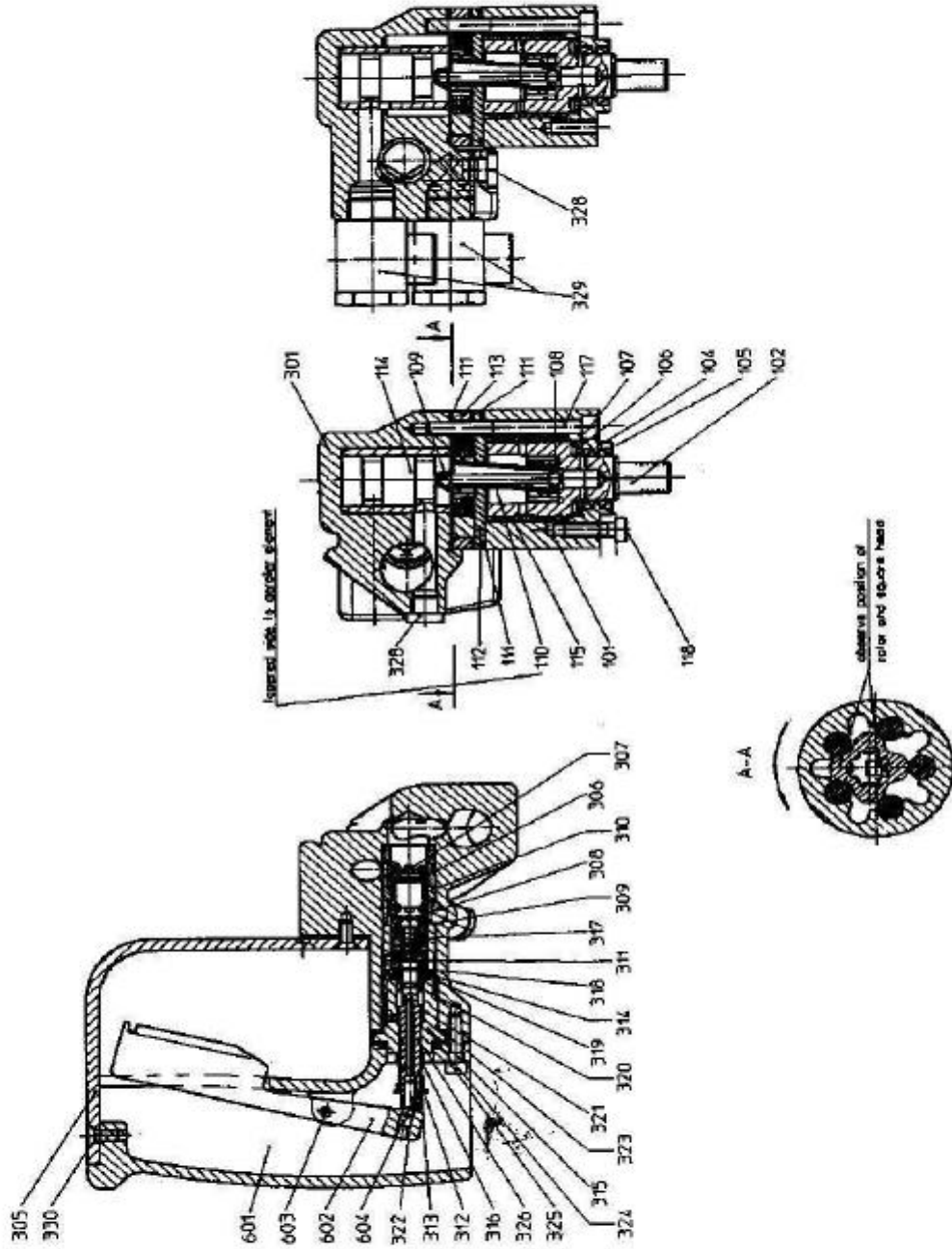
22 Harbor Ave, Norwalk, CT 06850

Telephone: 203-853-9522 Toll Free: 800-700-5919 Fax: 203-853-9921

WebSite: [www.csunitec.com](http://www.csunitec.com) E-Mail: [info@csunitec.com](mailto:info@csunitec.com)

**CS UNITEC, INC.**  
 22 Harbor Avenue  
 Norwalk, CT 06850  
 Website: www.csunitec.com  
 Email: info@csunitec.com

<b>SPARE PARTS LIST</b>	
DESCRIPTION: <b>Hydraulic motor</b>	ORDER-NUMBER <b>5 6047 1900</b>
Page-Nr.: 3/3	Revision: 05/00



**Hydraulic Band Saw**

*Prices to change without notice.  
Not responsible for typographical errors.*

<u>POS. NO.</u>	<u>ITEM NO.</u>	<u>DESCRIPTION</u>
101	9 5501 0170	Hydraulic Motor w/Housing
102	5 6042 1030	Output Shaft
104	9 1925 0450	Shaft Sealing
105	9 1925 0440	Shaft Sealing
106	9 1024 0360	Thrust Washer
107	9 1024 0370	Bearing, Thrust
108	9 5501 0040	Shaft Spacer
109	9 5501 0180	Spool Drive
110	9 5501 0190	Drive
111	9 1921 1240	O-Ring
112	9 5501 0070	Spacer Plate
113	9 5501 0200	Gerolser Assembly
114	9 5501 0090	Spool
115	9 1029 0530	Bearing
117	9 1171 9480	Fillister-Head Screw
118	9 1112 4150	Fillister Head Screw
301	5 6042 3910	Valve Housing Assembly
305	5 6042 6040	Connecting Rod
306	5 1220 3040	Gland 12 LPM
306	5 1220 3050	Gland 15LPM
307	9 1703 0260	Snap Ring
308	9 1110 2090	Fillister-Head Screw
309	9 3302 0150	Washer
310	2 1317 3320	Control Piston
311	2 1317 3070	Spring Seat
312	2 1317 3110	Pin
313	9 1706 0140	Snap Ring
314	2 1317 3090	Bushing
315	2 1317 3100	Guide
316	9 1803 0660	Pressure Spring
317	9 1803 1700	Spring
318	9 1706 0180	Snap Ring
319	9 1901 3290	O-Ring
320	9 1901 9800	O-Ring
321	9 1901 2550	O-Ring
322	9 1148 3030	Screw
323	9 1901 6770	O-Ring
324	9 1903 0270	Ring
325	9 1110 3120	Screw
326	9 1901 2080	O-Ring
328	9 1174 0010	Plug
329	9 2126 0240	Swing Fixture
330	9 1113 3010	Screw

4-30-35-093-05-2

CS Unitec, Inc.

22 Harbor Ave, Norwalk, CT 06850

Telephone: 203-853-9522 Toll Free: 800-700-5919 Fax: 203-853-9921

WebSite: [www.csunitec.com](http://www.csunitec.com) E-Mail: [info@csunitec.com](mailto:info@csunitec.com)

**CS UNITEC, INC.**  
22 Harbor Avenue  
Norwalk, CT 06850  
Website: [www.csunitec.com](http://www.csunitec.com)  
Email: [Info@csunitec.com](mailto:Info@csunitec.com)

### SPARE PARTS LIST

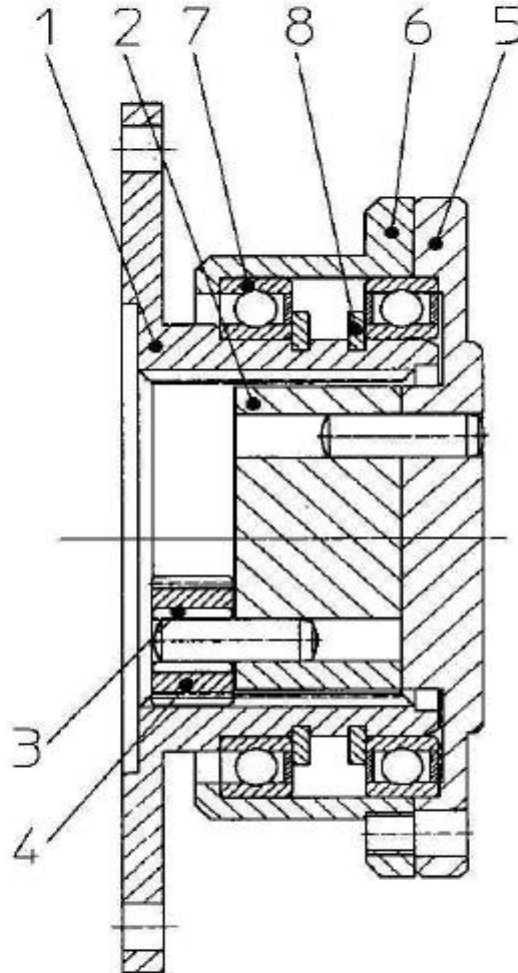
DESCRIPTION:

**Gear**

ORDER-NUMBER:

**5 6047 4000**

Sheet-Nr.: 2/2 Issue: 05/00



**Hydraulic Band Saw**

*Prices to change without notice.  
Not responsible for typographical errors.*

<u>POS. NO.</u>	<u>ITEM NO.</u>	<u>DESCRIPTION</u>	
1	5 6041 4020	Rim of Gear	
2	5 6042 4930	Planet Carrier Assembly	
3	9 1015 0790	Needle Cage	
4	5 6030 4040	Planet Wheel	
5	5 6032 4920	Planet Carrier Complete	Old # 5 6030 4030
6	5 6030 4580	Bearing Ring	
7	9 1027 0300	Grooved Ball Bearing	
8	9 1702 0210	Snap Ring	

CS Unitec, Inc.

22 Harbor Ave, Norwalk, CT 06850

Telephone: 203-853-9522 Toll Free: 800-700-5919 Fax: 203-853-9921

WebSite: [www.csunitec.com](http://www.csunitec.com) E-Mail: [info@csunitec.com](mailto:info@csunitec.com)