

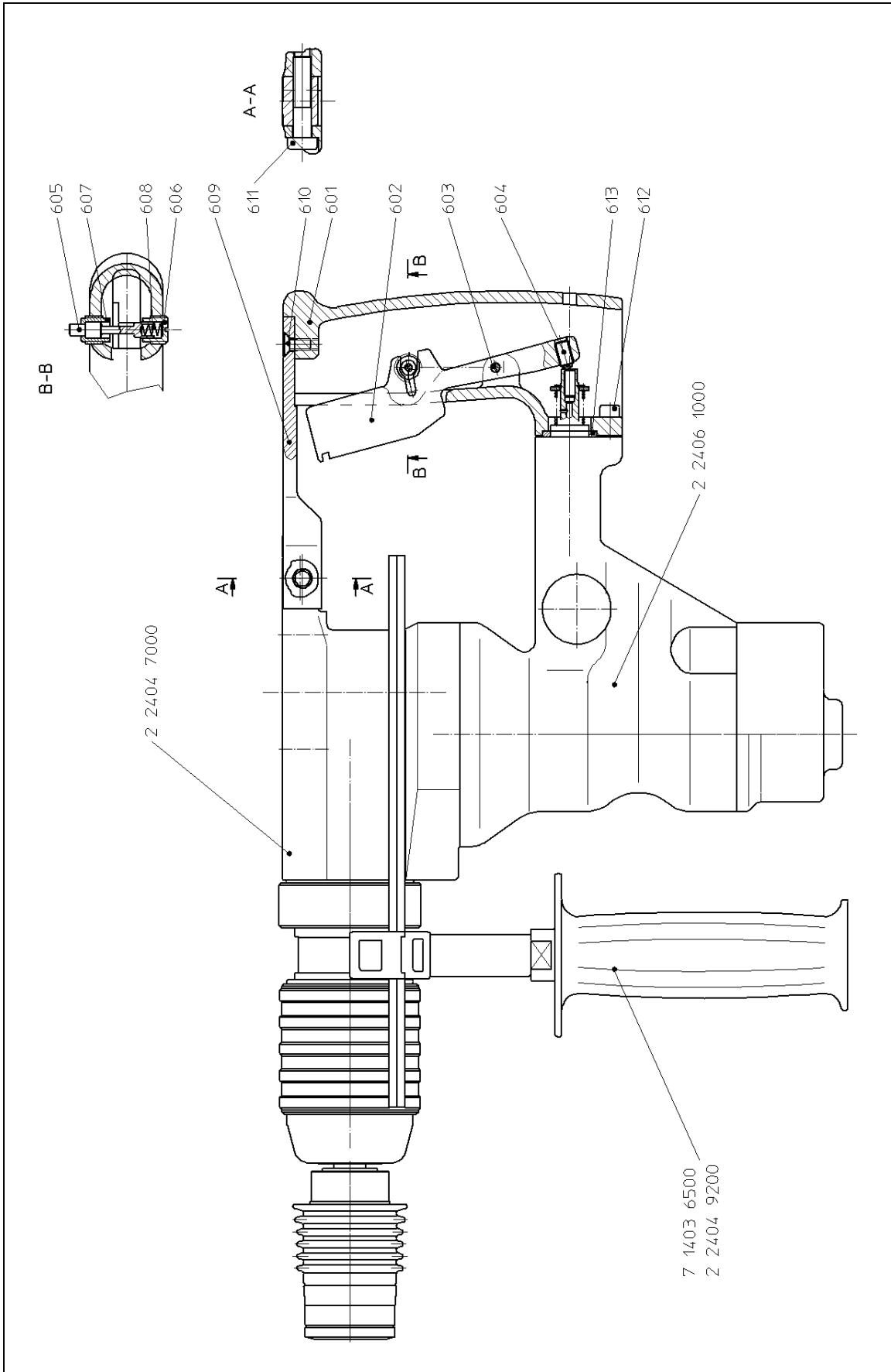
CS UNITEC, INC.

22 Harbor Avenue
Norwalk, CT 06850

Website: www.csunitec.com

Email: info@csunitec.com

Model 2 2406 0010 – Hydraulic Rotary Hammer



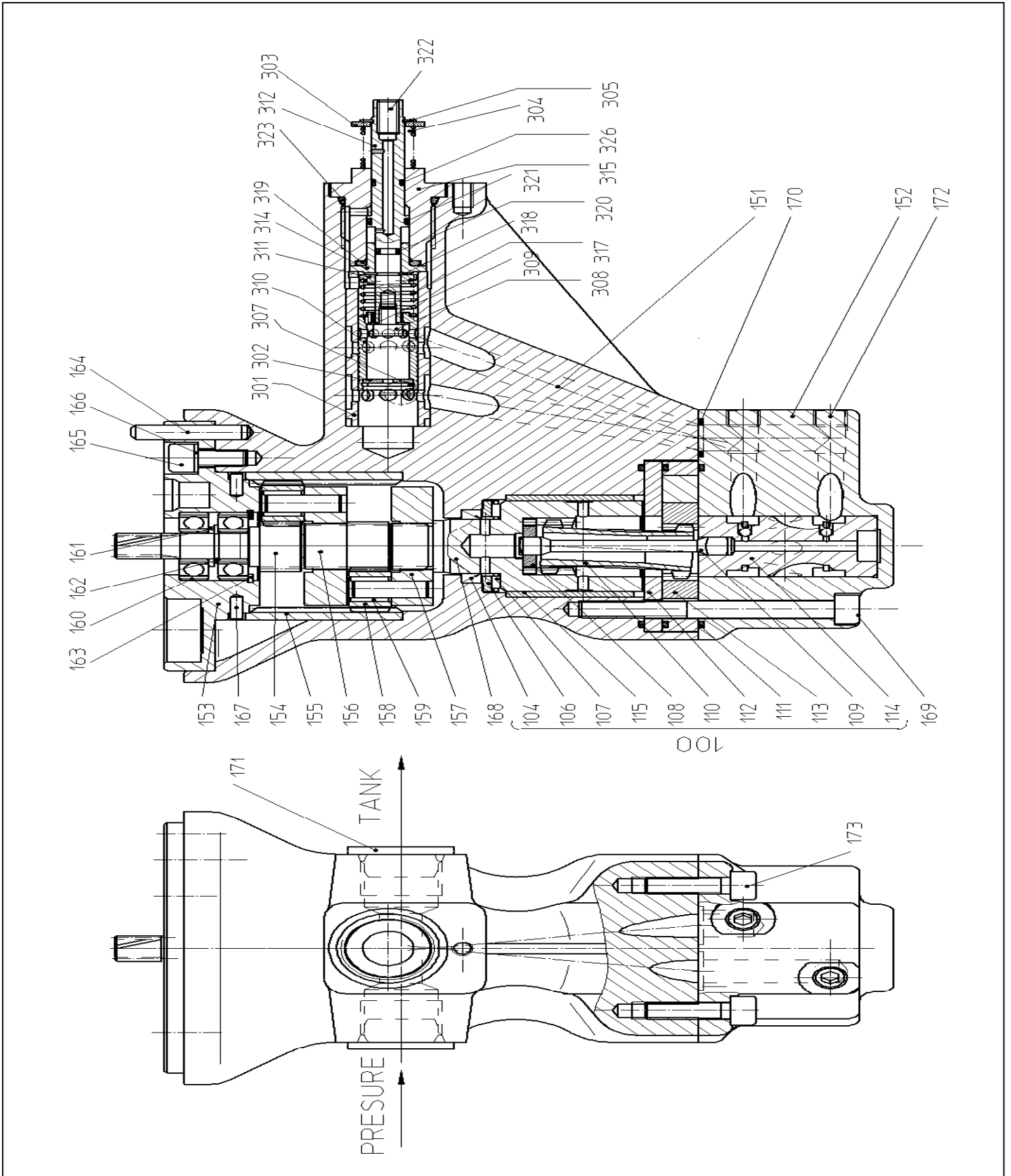
CS UNITEC, INC.

22 Harbor Avenue
Norwalk, CT 06850

Website: www.csunitec.com

Email: info@csunitec.com

Model 2 2404 1000 - Hydraulic Motor



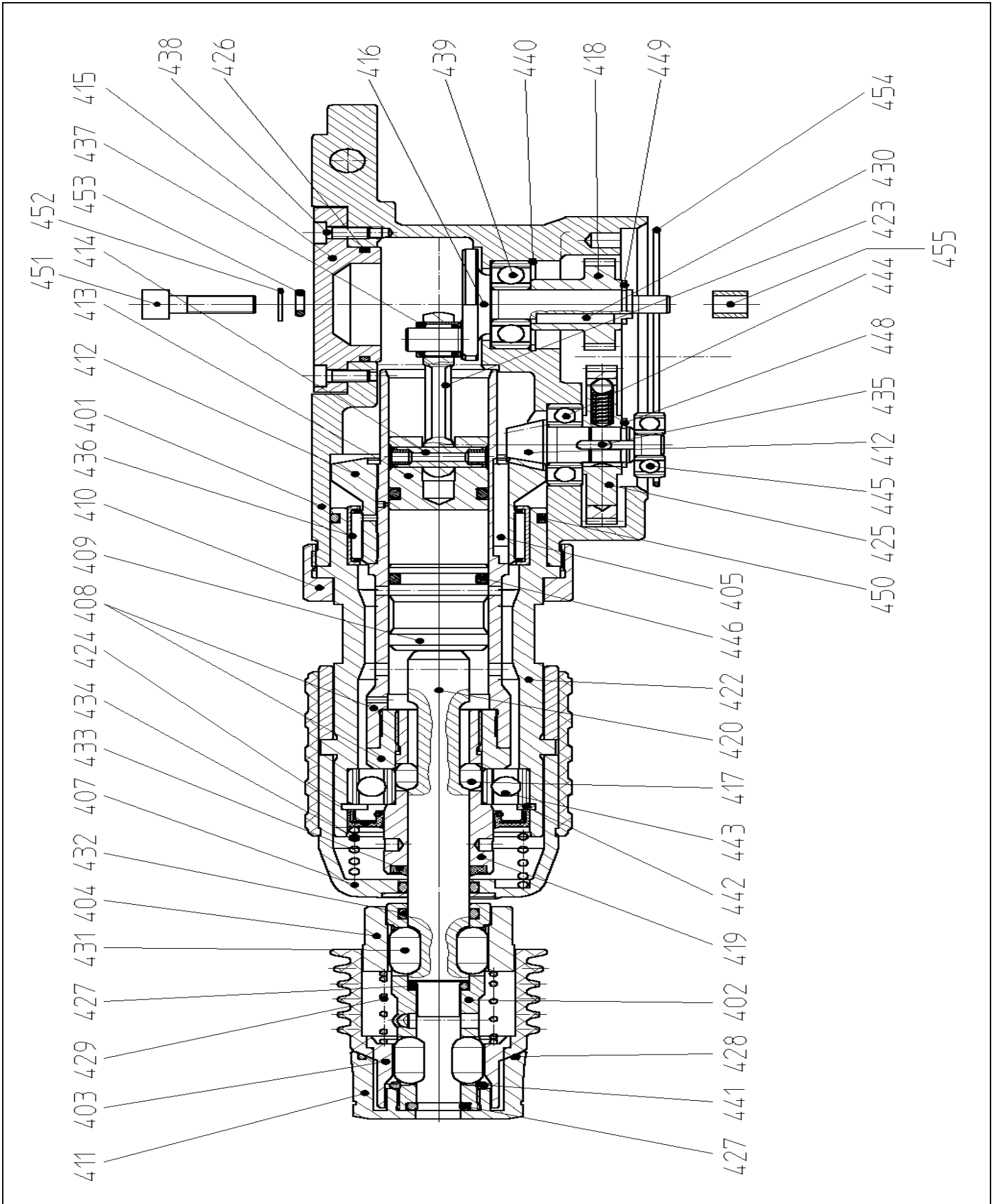
CS UNITEC, INC.

22 Harbor Avenue
Norwalk, CT 06850

Website: www.csunitec.com

Email: info@csunitec.com

Model 2 2404 7000 – Hydraulic Gearbox



Not responsible for typographical errors.

<u>POS. NO.</u>	<u>ITEM NO.</u>	<u>DESCRIPTION</u>	
	2 1317 6920	Handle Complete	Consisting of Items 601 - 608
	2 2404 7000	Gearbox Assy.	
	2 2404 9200	Cooling Pipe Assembly	
	2 2406 1000	Motor, Hydraulic	
	7 1403 6500	Handle Assembly for Rotary	Hammer
601	2 1317 6110	Handle	
602	2 1317 3030	Valve Trigger	
603	9 1641 0010	Pin, Double Notched Taper	
604	9 1148 3030	Screw	
605	5 6011 3150	Lock Bolt	
606	5 6011 3160	Bushing	
607	5 6011 3170	Guiding Bushing	
608	9 1803 3360	Compression Spring	
609	2 2406 6040	Connector	
610	9 1113 3030	Screw	
611	9 1112 5030	Screw	
612	9 1110 3120	Screw	4-30-35-093-05-2
613	9 1903 0270	Ring	

CS Unitec, Inc.

22 Harbor Ave, Norwalk, CT 06850

Telephone: 203-853-9522 Toll Free: 800-700-5919 Fax: 203-853-9921

WebSite: www.csunitec.com E-Mail: info@csunitec.co

Not responsible for typographical errors.

<u>POS. NO.</u>	<u>ITEM NO.</u>	<u>DESCRIPTION</u>	
	2 1317 3300	Valve Assembly	Consist of items 307-323
100	9 5501 0130	Motor, Hydraulic	
104	9 1925 0450	Shaft Sealing	
106	9 1024 0360	Thrust Washer	
107	9 1024 0370	Bearing, Thrust	
108	9 5501 0040	Shaft Spacer	
109	9 5501 0140	Spool Drive	
110	9 5501 0150	Drive	
111	9 1921 1240	O-Ring	
112	9 5501 0070	Spacer Plate	
113	9 5501 0160	Geroler Assembly	
114	9 5501 0090	Spool	
115	9 1029 0530	Bearing	
151	2 2407 4910	Housing Assy.	
152	2 2407 1930	Motor Cover	
153	2 2406 1940	Cover Assy.	
154	2 2406 4170	Pinion Shaft	
155	2 2406 4020	Rim of the Gear	
156	3 8837 4360	Pinion	
157	3 8837 4920	Planet Carrier, complete	
158	3 8837 4140	Planetary Wheel	
159	9 1015 0790	Needle Cage	
160	9 1001 0050	Grooved Ball Bearing	
161	2 2406 4150	Washer	
162	9 1702 0030	Snap Ring	
163	9 1703 0040	Ring, snap	
164	9 1619 1350	Dowel Pin	
165	9 1110 4020	Fillister Head Screw	
166	9 1903 1250	Seal	
167	9 1619 0450	Dowel Pin	
168	2 2406 1050	Output Shaft	
169	9 1110 4160	Fillister Head Screw	
170	9 1901 2710	O-RING	
171	9 3401 1060	Plug	
172	9 1140 5080	Screw	
173	9 1110 4030	Fillister Head Screw	SEE#-032.0036 OR 020.0146
301	2 1317 3310	Bushing	

CS Unitec, Inc.

22 Harbor Ave, Norwalk, CT 06850

Telephone: 203-853-9522 Toll Free: 800-700-5919 Fax: 203-853-9921

WebSite: www.csunitec.com E-Mail: info@csunitec.com

Not responsible for typographical errors.

<u>POS. NO.</u>	<u>ITEM NO.</u>	<u>DESCRIPTION</u>	
302	5 1220 3080	Gland	
303	9 3302 0030	Washer	3-24-08-232-00-4
304	9 1803 3590	Spring	
305	9 1706 0140	Snap Ring	
307	9 1703 0260	Snap Ring	
308	9 1110 2090	Fillister-Head Screw	
309	9 3302 0150	Washer	
310	2 1317 3320	Control Piston	
311	2 1317 3070	Spring Seat	
312	2 1317 3110	Pin	
314	2 1317 3090	Bushing	
315	2 1317 3100	Guide	
317	9 1803 1700	Spring	
318	9 1706 0180	Snap Ring	
319	9 1901 3290	O-Ring	
320	9 1901 9800	O-Ring	
321	9 1901 2550	O-Ring	
322	9 1148 3030	Screw	
323	9 1901 6020	O-Ring	
326	9 1901 2080	O-Ring	

CS Unitec, Inc.

22 Harbor Ave, Norwalk, CT 06850

Telephone: 203-853-9522 Toll Free: 800-700-5919 Fax: 203-853-9921

WebSite: www.csunitec.com E-Mail: info@csunitec.com

Not responsible for typographical errors.

<u>POS. NO.</u>	<u>ITEM NO.</u>	<u>DESCRIPTION</u>	
401	2 2404 4010	Gearbox Housing	
402	2 2404 8100	Dowel Pin	
403	2 2404 7130	Sliding Sleeve Assy.	
404	2 2404 7140	Bushing	
405	9 1506 9240	Feather Key	
407	2 2404 8940	Shifter Sleeve Assy.	
408	2 2404 8920	Cylinder Assembly	
409	2 2404 4540	Impact Piston	
410	2 2404 8240	Nut	
411	2 2404 7010	End Cap	
412	2 2404 4400	Bevel Gears Assembly	
413	2 2404 4520	Piston	
414	2 2404 4960	Piston Pin Assembly	
415	2 2404 4090	Cover	
416	2 2404 4550	Crankshaft	
417	2 2404 4570	Roller	
418	2 2404 4040	Gear	
419	2 2404 8080	Bushing	
420	2 2404 8090	Drive Shaft	
422	2 2404 8010	Drive Housing	
423	2 2404 4530	Connecting Rod	
424	9 1905 0540	Radial Shaft Sealing	
425	2 2404 4920	Slip Clutch Assembly	
426	9 1901 3500	O-Ring, 35X2	
427	9 1901 3290	O-Ring	
428	9 1921 2140	O-Ring, 33X2	
429	9 1803 4190	Compression Spring	
430	9 1501 1140	Feather Key	
431	2 2404 4580	Roller	
432	9 1901 5940	O-Ring	
433	9 1908 1780	Wiping Seal	
434	9 1807 0210	Spring	
435	9 1501 1040	Feather Key	
436	9 1014 0450	Needle Bearing	
437	9 1014 0010	Needle Bearing	SEE#S-80420110

CS Unitec, Inc.

22 Harbor Ave. Norwalk, CT 06850

Telephone: 203-853-9522 Toll Free: 800-700-5919 Fax: 203-853-9921

WebSite: www.csunitec.com E-Mail: Info@csunitec.com

Not responsible for typographical errors.

<u>POS. NO.</u>	<u>ITEM NO.</u>	<u>DESCRIPTION</u>	
438	9 1112 2020	Fillister-head Screw	
439	9 1004 0010	Ball Bearing	
440	9 1703 0080	Snap Ring	
441	9 1901 3270	O-Ring	
442	9 1703 0130	Snap Ring	
443	9 1003 0050	Grooved Ball Bearing	
444	9 1003 0020	Bearing	4-17-01-007-05-0
445	9 1001 0070	Grooved Ball Bearing	
446	9 1901 4070	O Ring	
448	9 1702 0050	Retaining Ring	4-26-16-006-00-7
449	111 406	Sec. Washer	
450	9 1901 6310	O-Ring	
451	9 1110 4030	Fillister Head Screw	SEE#-032.0036 OR 020.0146
452	9 1714 0040	Toothed Lock Washer	
453	9 1921 2810	O-Ring	
454	9 1901 2610	O-Ring	
455	9 1029 0130	Bushing	

CS Unitec, Inc.

22 Harbor Ave. Norwalk, CT 06850

Telephone: 203-853-9522 Toll Free: 800-700-5919 Fax: 203-853-9921

WebSite: www.csunitec.com E-Mail: Info@csunitec.com