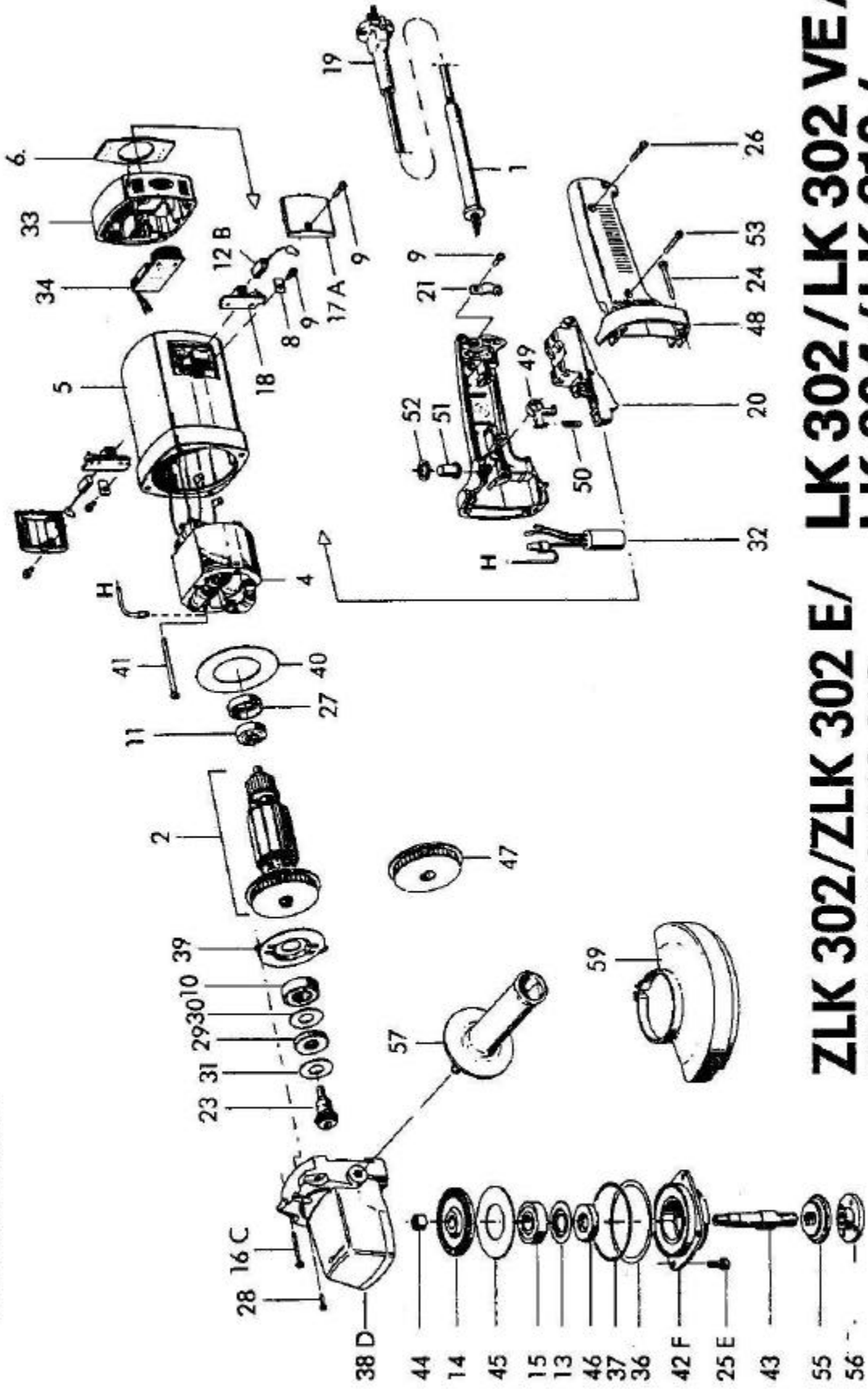


CS UNITEC, INC.
 22 Harbor Avenue
 Norwalk, CT 06850
 Website: www.csunitec.com
 Email: info@csunitec.com



**ZLK 302/ZLK 302 E/
 ZLK 604/ZLK 610**

**LK 302/LK 302 VE/
 LK 604/LK 610/
 LK 603 VE**

Not responsible for typographical errors.

POS. NO.	ITEM NO.	DESCRIPTION	
1	149 144	Cord	
2	211 125	Armature - LK 603 VE	
3	212 350	Cover	
4	209 937	Magnetic Field	
5	205 826	Housing	
6	206 903	Sealing Plate	
7	211 796	Screws	
8	194 816	Flap	
9	195 715	Screw	
10	100 579	Ball Bearing	See Nos.10615,252145,9100300
11	100 587	Ball Bearing	
12	211 710	Carbon Brush	Replaces 205 958
13	102 830	Seal Ring	
14	259 543	Gear, Bevel	REPLACES # 250 239
15	102 962	Bearing	SEE # 117 668
16	205 990	Screw	
17	205 834	Brush Cover	
18	205 931	Holder, Carbon Brush	
19	103 519	Cable Sleeve	
20	190 012	Switch	
21	116 815	Cable Clamp	
23	177 105	Pinion Complete	
24	209 783	Phillips Head Screw	
25	105 872	Screw	
26	203 858	Screw	
27	154 970	Bearing Ring	Old # 209 139
28	251 851	Screw, OLD NUMBER 159 298	
29	160 512	Seal Ring	
30	160 520	Washer	
31	160 539	Washer	
32	194 042	Condensor	Replaces Item # 194 050
33	206 784	Cover	
34	213 438	Electronic Speed Control 110V	
36	176 524	Distance Ring	
37	176 559	O-Ring	
38	205 877	Housing	
39	205 885	Bearing Cover	
40	176 648	Air Guide	
41	196 169	Screw	
42	176 788	Cover	
43	251 906	Spindle	Old # 176 796
44	199 141	Bushing	
45	176 826	Spring	
46	176 834	Seal	

CS Unitec, Inc.

22 Harbor Ave, Norwalk, CT 06850

Telephone: 203-853-9522 Toll Free: 800-700-5919 Fax: 203-853-9921

WebSite: www.csunitec.com E-Mail: info@csunitec.com

Not responsible for typographical errors.

POS. NO.	ITEM NO.	DESCRIPTION
47	207 144	Fan
48	254 965	Handle, Replaces 205 842
49	189 979	Switch Lockout
50	190 004	Spring
51	189 987	Button
52	189 995	Felt Ring
53	195 693	Screw
57	194 034	Side Handle

CS Unitec, Inc.

22 Harbor Ave, Norwalk, CT 06850

Telephone: 203-853-9522 Toll Free: 800-700-5919 Fax: 203-853-9921

WebSite: www.csunitec.com E-Mail: info@csunitec.com