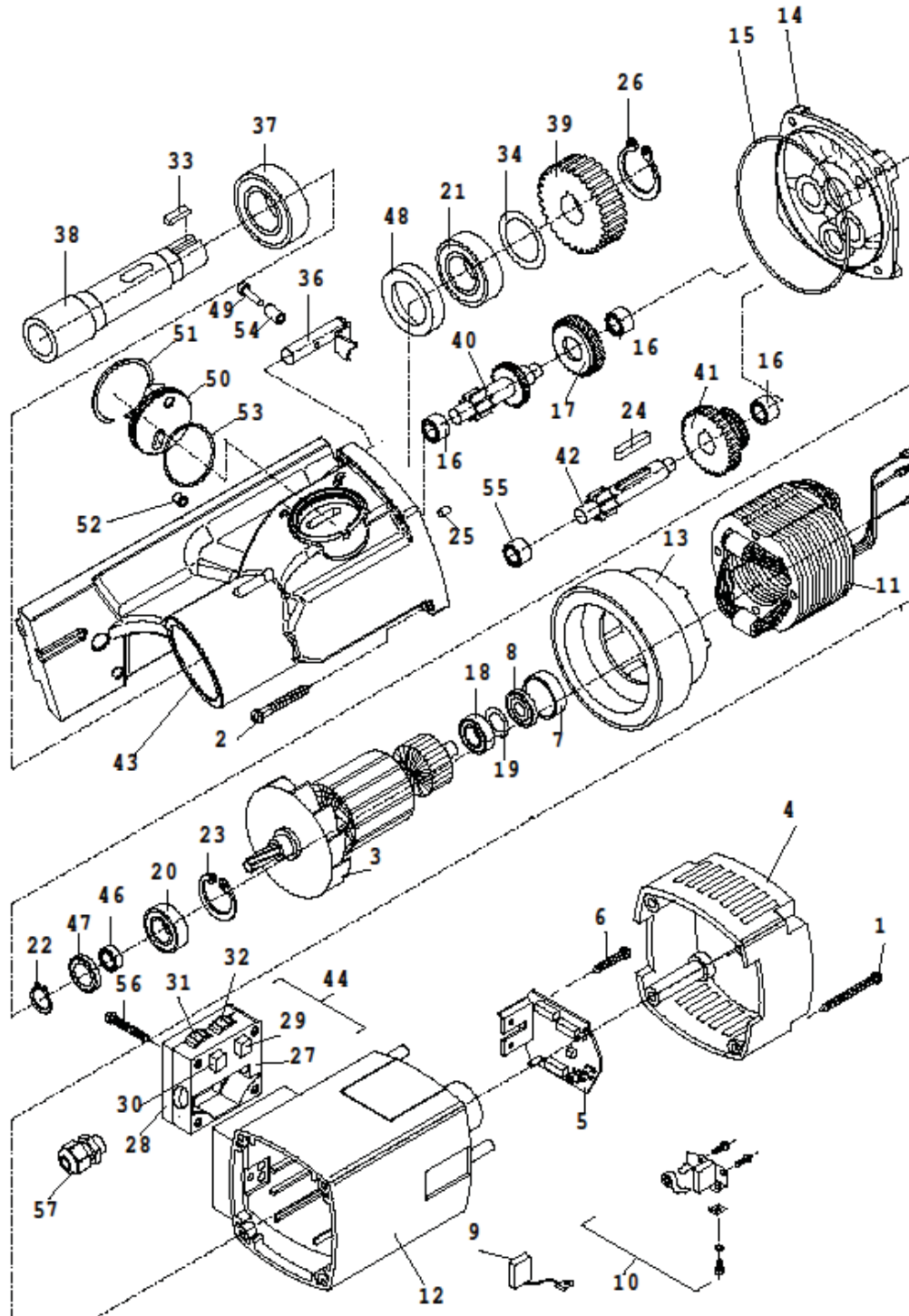


PLEASE SPECIFY TOOL MODEL # WHEN ORDERING PARTS

PARTS BREAKDOWN	Model #: MAB 525	Bulletin #: 08-2011
PARTS LISTING	Description: Portable Magnetic Drill	Prepared By: SCW
WIRING DIAGRAM	Date: 8/11/2016	

MAB 525 MOTOR BREAKDOWN



PLEASE SPECIFY TOOL MODEL # WHEN ORDERING PARTS

PARTS BREAKDOWN	Model #: MAB 525	Bulletin #: 08-2011
PARTS LISTING	Description: Portable Magnetic Drill	Prepared By: SCW
WIRING DIAGRAM	Date: 8/11/2016	

MAB 525 MOTOR PARTS LIST

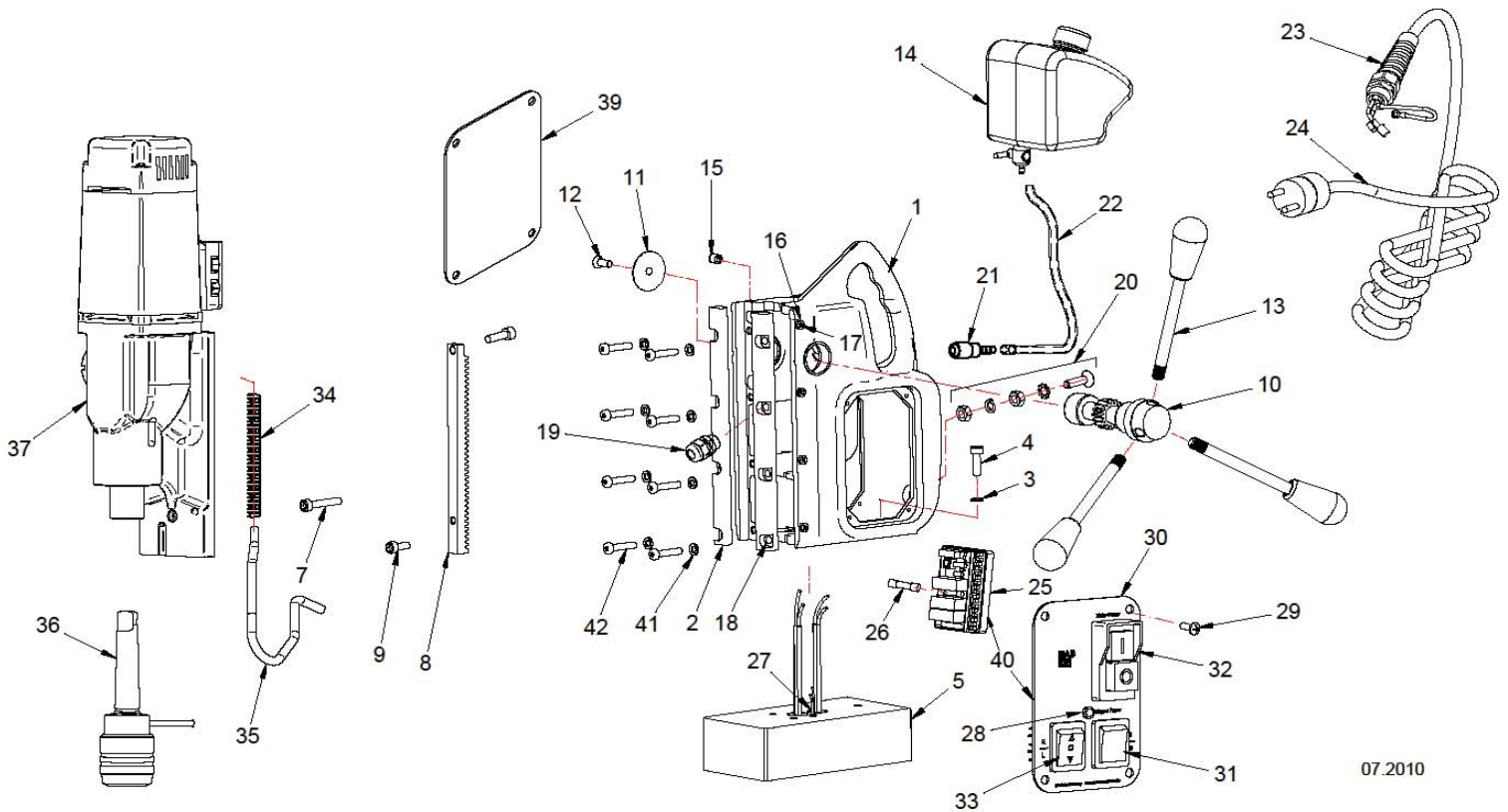
Pos. #	Part #	Description
1	5010581	Screw 4,8 x 45
2	5010911	Screw 5,5 x 38
3	5012191	Armature 220-240V
3 A	5012201	Armature 110V
4	5011531	Cap for motor housing
5	5011541	PC board 220V
5 A	5011551	PC board 110V
6	5010951	Screw 3,9 x 9,5
7	5011561	Bearing cap
8	5011571	Ring magnet
9	5012531	Carbon brush 6,2 x 16
10	5011601	Carbon brush holder compl.
11	5013881	Field coil 220-240V
11 A	5012551	Field coil 110V
12	5012561	Motor housing
13	5012241	Air conducting ring
14	5012572	Shield plate
15	5012262	O-Ring 94x2
16	5010351	Needle bearing HK 0810
17	5012271	Intermedium gear wheel
18	5011301	Ball bearing 6000 2Z
19	5011741	Pressboard washer
20	5012501	Ball bearing 6001 2RS
21	5012281	Ball bearing 6004 2RS
22	5010712	Circlip ring 10/1
22 A	5010711	Circlip ring 11/1
23	5010271	Circlip ring 28/1,2
24	5010501	Spring A5 x 5 x 28
25	5010291	Pin 4 x 12
26	5012291	Circlip ring 20/1,2
27	5011661	Housing for potentiometer
28	5012581	Cover for housing for potentiometer

Pos. #	Part #	Description
29	5011401	Potentiometer for speed control 100 kOHm 2V
30	5011681	Potentiometer for power control 1 kOhm 7V
31	5011701	Adjustment wheel red for power control
32	5010861	Adjustment wheel blue for speed control
33	5012301	Spring A6 x 6 x 11
34	5012321	Washer 20 x 28 x 0,1
36	5012352	Clutch compl.
36 A	5012351	Clutch compl.
37	5012331	Ball bearing 6006 2RS
38	5012361	Spindle with groove
39	5012371	Spindle wheel
40	5012381	Shaft for gear wheel for 2 pinions
41	5012391	Gear wheel assembly
42	5012401	Shaft for gear wheel assembly
43	5013901	Gearbox housing
44	5011981	Housing for potentiometer compl.
45	5012311	Screw 6 x 45 black
46	5013411	Sealing sleeve
47	5013601	Shaft seal 15 x 21 x 3
48	5014521	Shaft seal 28 x 37 x 6
49	5014531	Screw 4 x 16
50	5014541	Gear change
51	5014551	Circlip ring SB
52	5014561	Pressure piece
53	5014601	O-ring 36 x ,15
54	5014581	Sleeve
55	5014591	Needle bearing DL 0810
56	5013891	Screw HC 5,5 x 32
57	7010021	Cable gland PG 9

PLEASE SPECIFY TOOL MODEL # WHEN ORDERING PARTS

PARTS BREAKDOWN	Model #: MAB 525	Bulletin #: 08-2016
PARTS LISTING	Description: Portable Magnetic Drill	Prepared By: SCW
WIRING DIAGRAM	Date: 8/11/2016	

MAB 525 STAND BREAKDOWN



07.2010

PLEASE SPECIFY TOOL MODEL # WHEN ORDERING PARTS

PARTS BREAKDOWN	Model #: MAB 525	Bulletin #: 08-2016
PARTS LISTING	Description: Portable Magnetic Drill	Prepared By: SCW
WIRING DIAGRAM	Date: 8/11/2016	

MAB 525 STAND PARTS LIST

Pos. #	Part #	Description
1	6012091	Housing 3 holes for 4 screws
2	6013521	Guide rail left side screwed
3	6010021	Spring washer 6,3
4	6010011	Screw M6 x 20
5	6013501	Magnet (electric) with indicator
7	6010111	Screw M6 x 25
8	6013511	Rack
9	6010091	Screw M6 x 20 DIN 912
10	6010211	Shaft for gear wheel
11	6010221	Washer for gear wheel
12	6010231	Screw for gear wheel M6 x 16
13	6010242	Handle rod with knob
14	6012111	Coolant reservoir
15	6012121	Sphere for coolant reservoir
16	6010031	Nut M5
17	6010041	Screw M5x16 for slide
18	6013531	Adjustment rail right
19	6012131	Cable gland PG 9
20	7010061	Earthing compl.
21	6012141	Quick coupling
22	ZSS 200 S	Coolant tube
23	7010031	Mains cable gland PG 11
24	7010041	Connection cable 220-240V with plug
24A	7010052	Connection cable 220-240V with GB-plug
24B	7010051	"Connection cable 110V(plug on demand)"
25	6012151	PC board with 3 relais 230V
25A	7011951	PC board with 3 relais 110V
26	7010131	Fuse 2A, 5x20
27	6012171	Indicator with cable
28	7010101	LED-display with indicator red/green

Pos. #	Part #	Description
29	7010081	Screw M4 x 6
30	7010863	Switch plate front side
31	7010142	Magnet switch
32	7010802	Actuator 220V
32A	7010931	Actuator 110V
33	7010481	Rock switch right/left
34	6012181	Spring for motor cable
35	6012191	Motor cable 6 x 1,5
36	ZSS 300	Keyless Arbor MT#3 w/ oiler
37	5005251	Motor compl. 230V
37A	5015251	Motor compl. 110V
38	6010461	Screw M6 x 30
39	7011051	Side plate
40	7011691	"Switch plate compl. with PC board 3 relays 230V"
40A	7011701	"Switch plate compl. with PC board 3 relays 110V"
41	4010081	Washer DIN 1440
42	6050141	Screw DIN 7984 M6 x 25

PLEASE SPECIFY TOOL MODEL # WHEN ORDERING PARTS

PARTS BREAKDOWN	Model #: MAB 525	Bulletin #: 08-2016
PARTS LISTING	Description: Portable Magnetic Drill	Prepared By: SCW
WIRING DIAGRAM	Date: 08/11/2016	

MAB 525 WIRING DIAGRAM

