

CS UNITEC, INC.

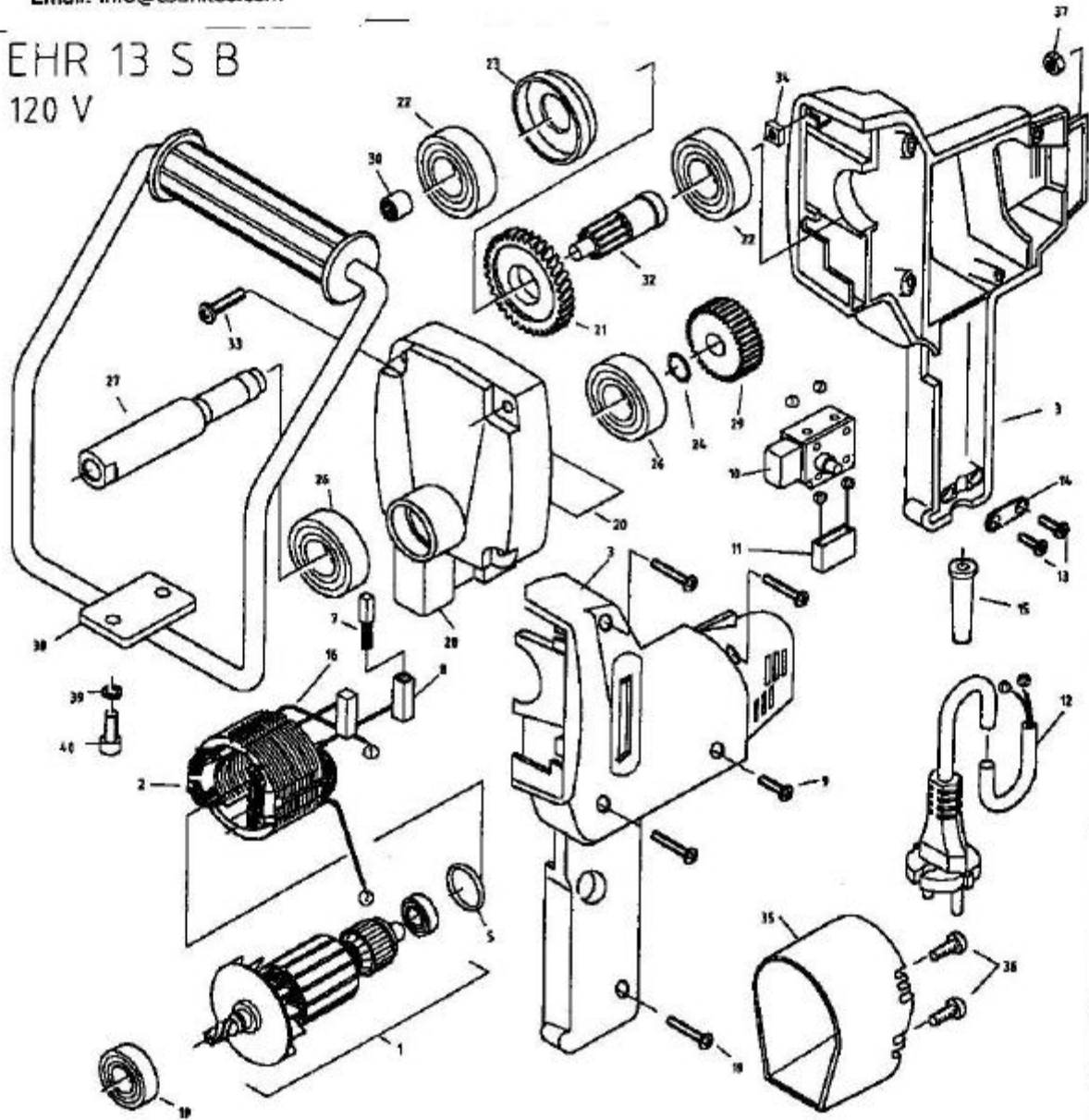
22 Harbor Avenue
Norwalk, CT 06850

Website: www.csunitec.com

Email: info@csunitec.com

EHR 13 S B

120 V



Not responsible for typographical errors.

POS. NO.	ITEM NO.	DESCRIPTION	
1	80900062	Armature Complete	
2	80900063	Field	
3	80900055	Motor Housing	
5	83000025	Ring 18x2	
7	80900052	Carbon Brush	
8	80900057	Brush Holder Complete	
9	80901053	Plastic Screw	
10	80600109	Switch	
11	80500014	Condensor-SEE#80500010	
12	80600062	Cord	
13	80901050	Plastic Screw	
14	80900058	Tension Unloading	
15	80900056	Cord Sleeve	
16	80600076	Connection Strand	
18	80410011	Bearing	Replaces 032.0221
19	80901052	Plastic Screw	
20	80901054	Plastic Screw	
21	87110470	Intermediate Wheel	
22	80410040	Bearing	
23	77114460	Protection Cap	
24	80200504	Fitting Washer	Replaces 050.0181
26	80410043	Bearing 6003	
27	77110420	Shaft	
28	77114400	Gearbox Housing	
29	77110430	Spindle Wheel	
30	80420110	Needle Sleeve	Replaces 050.0161
32	77110490	Shaft with Pinion	
33	80201204	Screw	
34	80201009	Hexagon Nut	
35	77110240	Cap, Motor	
36	80201202	Screw	
37	80201003	Hexagon Nut	
38	77010590	Handle	
39	80201303	Spring Ring	
40	80201209	Screw	

CS Unitec, Inc.

22 Harbor Ave, Norwalk, CT 06850

Telephone: 203-853-9522 Toll Free: 800-700-5919 Fax: 203-853-9921

WebSite: www.csunitec.com E-Mail: info@csunitec.com