

CS UNITEC, INC.

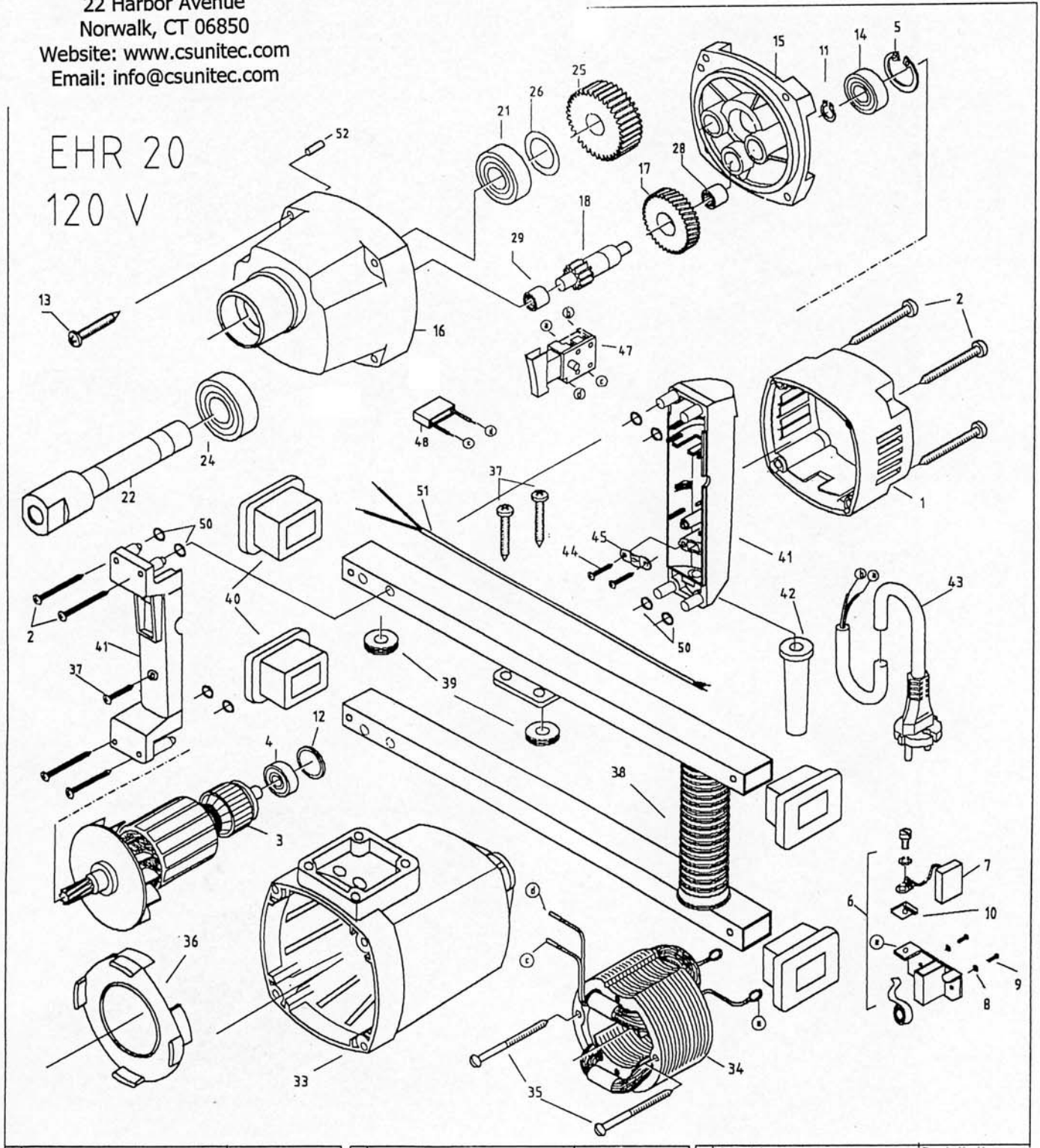
22 Harbor Avenue
Norwalk, CT 06850

Website: www.csunitec.com

Email: info@csunitec.com

EHR 20

120 V



Not responsible for typographical errors.

POS. NO.	ITEM NO.	DESCRIPTION	
1	7132A240	Cap, Motor	
2	80201267	Screw	Replaces 050.0112
3	7731D100	Rotor Complete	
4	80410011	Bearing	Replaces 032.0221
5	80201333	Safety Ring 28/1.2	Replaces 050.0166
6	80201196	Carbon Brush Holder	Replaces 050.0371
7	80700013	Carbon Brush	Replaces 050.0147
8	80201385	Spring Disk 34	
9	80201180	Screw CM4x12	
10	73320210	Contact Washer	
11	80201305	Safety Ring	
12	83000036	O-Ring	Replaces 050.0116
13	80201284	Screw	Replaces 032.0106
14	80410031	Bearing	Replaces 032.0171
15	77311610	End Shield of Gear	
16	77311400	Gearbox Housing	
17	74010470	Intermediate Wheel	
21	80410043	Bearing 6003	
22	77311420	Work Spindle	
24	80410130	Bearing	Replaces 050.0221
25	77311430	Spindle Wheel	
26	80200507	Fitting Washer	
28	80420110	Needle Sleeve	Replaces 050.0161
29	80420115	Needle Bearing	
33	7132A200	Motor Housing	Replaces 050.0141
34	7731D150	Stator Complete	
35	80201266	Screw	Replaces 032.0156
36	7132A140	Air Guiding Ring	Replaces 050.0261
37	80201280	Screw	
38	7732A590	H-Handle	
39	83000051	Cable Grommet	
40	7732A594	Knob, Rubber	
41	7732A268/269	Handle	
42	71323255	Cable Sleeve	
43	80600060	Connection Cable	
44	80201271	Screw 4.2x16	
45	71540330	Locking Flange	
51	7732A180	Wire	
52	80200582	Notched Pin	Replaces 032.0211

CS Unitec, Inc.

22 Harbor Ave, Norwalk, CT 06850

Telephone: 203-853-9522 Toll Free: 800-700-5919 Fax: 203-853-9921

WebSite: www.csunitec.com E-Mail: info@csunitec.com