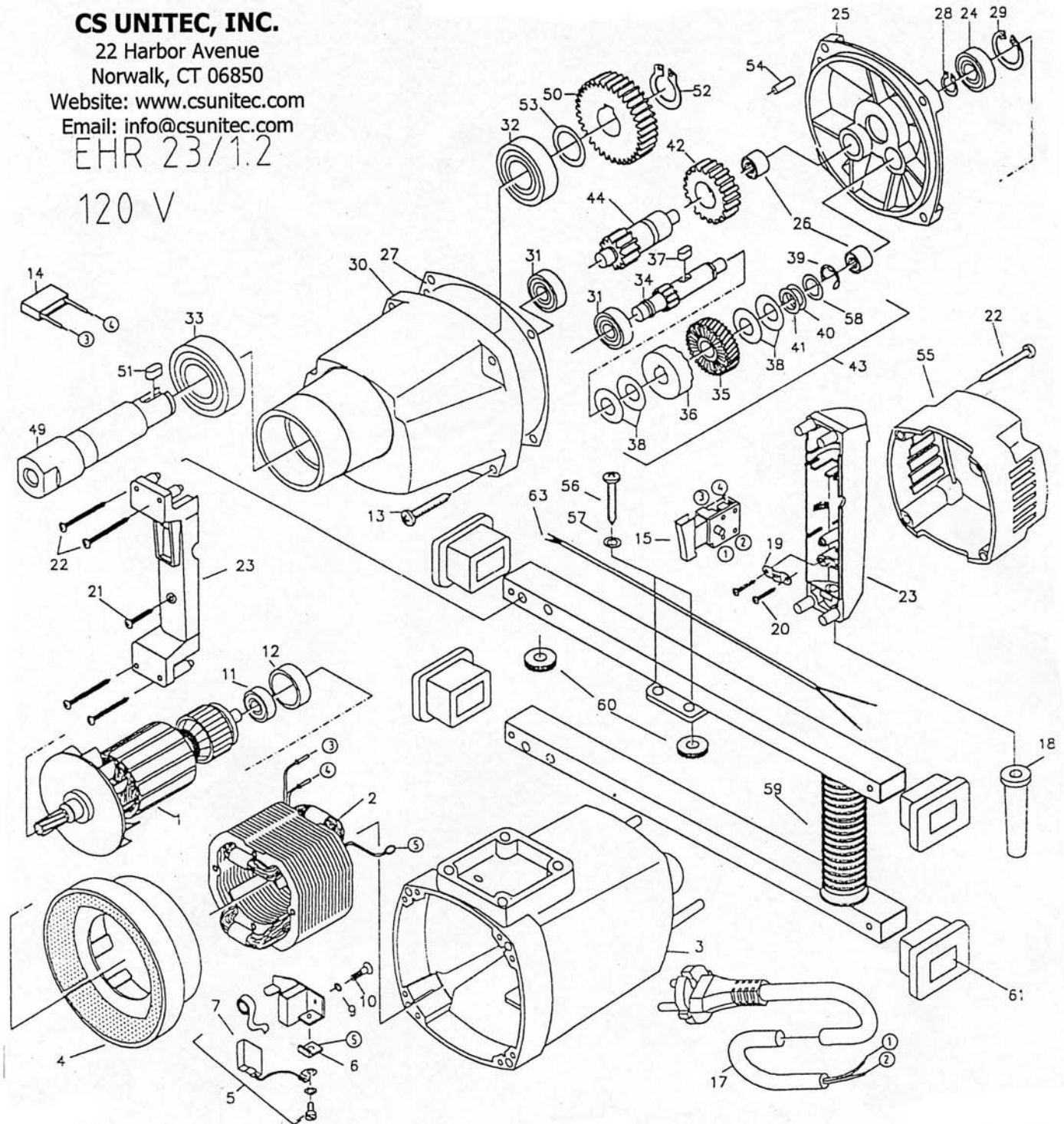


CS UNITEC, INC.

22 Harbor Avenue
Norwalk, CT 06850
Website: www.csunitec.com
Email: info@csunitec.com
EHR 23/1.2

120 V



Not responsible for typographical errors.

<u>POS. NO.</u>	<u>ITEM NO.</u>	<u>DESCRIPTION</u>	
11 + 31	80410020	Bearing	
1	74416100	Stator Complete	
2	77416150	Field	
3	7742A200	Motor Housing	
4	71540140	Air Guiding Ring	
5	80201199	Carbon Brush Holder	
6	73320210	Contact Washer	
7	80700019	REPLACED BY 80700040	
9	80201385	Spring Disk 34	
10	80201180	Screw CM4x12	
12	73320315	Bearing Seal	
13	80201292	Screw 4.2x16	
14	80500010	Condensor-SEE #80500014	
15	80600128	Switch	
17	80600061	Cord	
18	71323255	Cable Sleeve	
19	71540330	Locking Flange	
20	80201271	Screw 4.2x16	
21	80201280	Screw	
22	80201267	Screw	Replaces 050.0112
23	7732A268/269	Handle	
24	80410031	Bearing	Replaces 032.0171
25	7742A610	End Shield of Gear	
26	80420110	Needle Sleeve	Replaces 050.0161
27	74429620	Paper Seal	
28	80201320	Safety Ring	Replaces 050.0176
29	80201333	Safety Ring 28/1.2	Replaces 050.0166
30	77410400	Gearbox Housing	
32	80410051	Ball Bearing	see #52412-011
33	80410151	Bearing	
34	71411490	Intermediate Shaft	
35	7742A550	Coupling Wheel	
36	71411560	Coupling Half	
37	71540495	Fitting Spring	
38	80200713	Spring	
39	80201361	Safety Washer	
40	71540606/607	Pressure Washer	
41	80200503	Fitting Washer 12x0.5	
42	71410470	Intermediate Wheel	
43	7742A493	Gear Complete	
44	71410500	Intermediate Wheel	
49	77420420	Spindle	
50	71410430	Gear	

CS Unitec, Inc.

22 Harbor Ave, Norwalk, CT 06850

Telephone: 203-853-9522 Toll Free: 800-700-5919 Fax: 203-853-9921

WebSite: www.csunitec.com E-Mail: info@csunitec.com

Not responsible for typographical errors.

<u>POS. NO.</u>	<u>ITEM NO.</u>	<u>DESCRIPTION</u>
51	80200604	Key
52	80201324	Safety Ring 20x1.2
53	80200509	Fitting Washer 20x0.1
54	80200580	Notched Pin 5x16
55	7742A240	Motor Cap
56	80201278	Screw 5.5x19
57	80201303	Spring Ring
58	71540606	Pressure Disk
59	7742A59U	Handle
60	83000051	Cable Grommet
61	7732A594	Knob, Rubber
63	7732A180	Wire

CS Unitec, Inc.

22 Harbor Ave, Norwalk, CT 06850

Telephone: 203-853-9522 Toll Free: 800-700-5919 Fax: 203-853-9921

WebSite: www.csunitec.com E-Mail: info@csunitec.com