

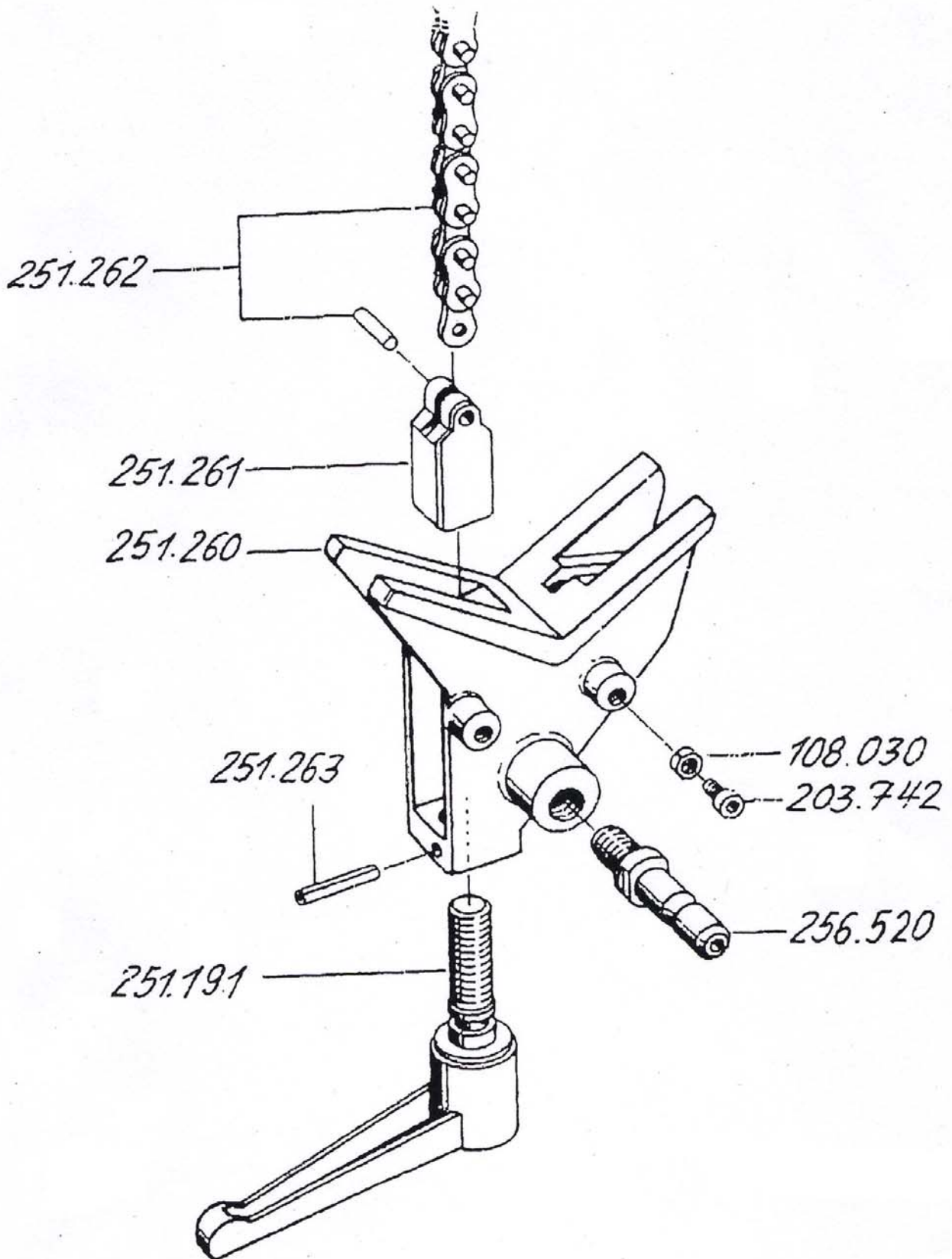
CS UNITEC, INC.

22 Harbor Avenue
Norwalk, CT 06850

Website: www.csunitec.com

Email: info@csunitec.com

251 259 – PIPE CHAIN CLAMP



*Prices to change without notice.
Not responsible for typographical errors.*

ITEM NO.	DESCRIPTION	
108 030	Nut	
203 742	Cylindrical Screw	
251 191	Bolt, Clamp Adjustment	
251 260	Clamp Saddle, for 6" Pipe	Clamp
251 261	Clamp Frame	
251 262	Chain-6" Pipe Clamp (29")	with pin
251 263	Clamp Bushing	
256 520	Bolt	

CS Unitec, Inc.

22 Harbor Ave, Norwalk, CT 06850

Telephone: 203-853-9522 Toll Free: 800-700-5919 Fax: 203-853-9921

WebSite: www.csunitec.com E-Mail: info@csunitec.com