

CS UNITEC, INC.

22 Harbor Avenue
Norwalk, CT 06850

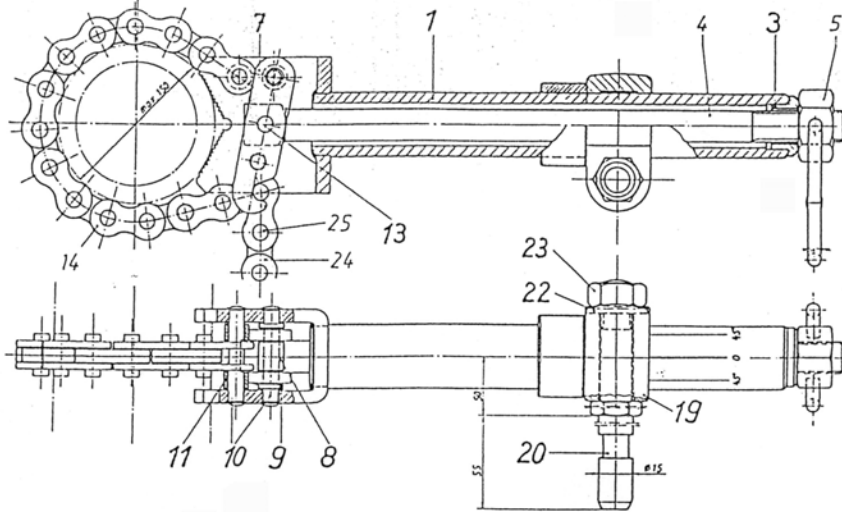
Website: www.csunitec.com

Email: info@csunitec.com

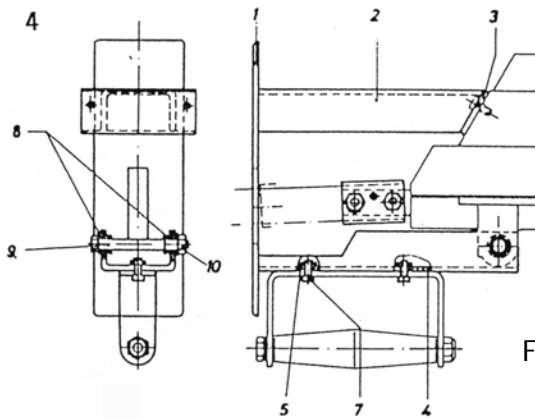
Model 5 1207 9910 – Pipe Clamp

Picture 1

Pipe Clamp 5 1207 9910

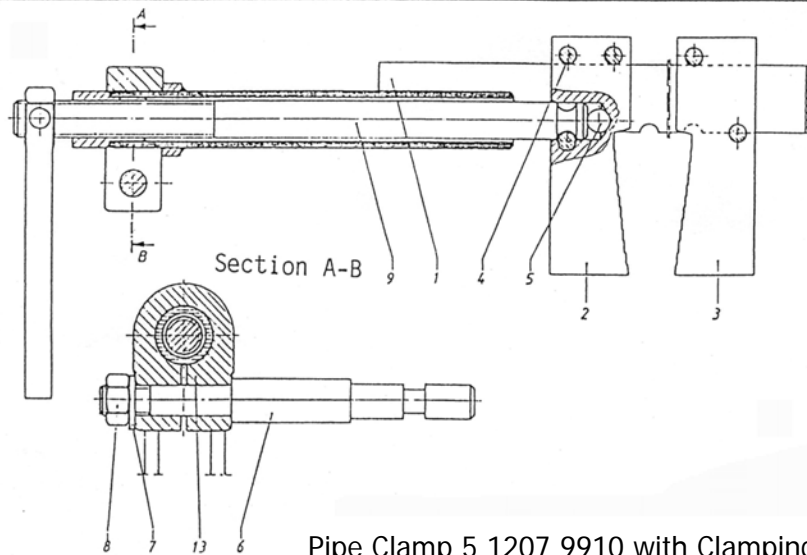


Picture 4



Free Hand Support 5 1202 9940

Picture 5



Pipe Clamp 5 1207 9910 with Clamping Device
5 1202 8970

Not responsible for typographical errors.

POS. NO.	ITEM NO.	DESCRIPTION	
15 + 19	9 1203 0040	Nut Hexagon	4-20-01-029-06-6
16 + 20	9 3318 0020	Toothed Washer	
1	5 1201 9050	Yoke assembled	3-27-14-037-013
2	9 1150 9480	SCREW WITH HOOK	3-30-21-041-01-0
3	5 1201 9170	BALL RING	3-17-10-019-00-1
4	9 1203 0070	Nut	4-20-01-011-12-7or 4200101214
5	5 1201 9180	Bolt	3-02-17-160-00-2
6	9 3302 0020	Disc	4-24-01-003-06-3
7	9 1636 0010	Split Pin	4-02-05-004-00-5
8	5 1201 9030	Extension Chain, 39-3/8"	3-02-31-008-00-0
8	5 1201 9030	Extension Chain, 39-3/8"	3-02-31-008-00-0
9	5 1202 9190	Bearing Bolt	3-30-23-051-005
10	9 3302 0050	Disc	4-24-01-006-12-6 or4240100714
11	5 1207 9990	Bow Guide	
12	5 1202 9830	FORK	
13	5 1207 9840	Insert	
14	9 1110 4060	SCREW	
17	5 1201 9860	Bearing Bolt	
18	9 1110 4100	Screw	
21	5 1201 9220	Guide Pulley	
22	5 1201 9230	Guide Pulley	
23	9 1636 0020	Split Key	
24	5 1202 9200	Fixing Bow	
25	9 1804 0080	Tension Spring	# 3-09-02-020-006
26	5 1201 9210	Eccentric Sleeve	#3-05-10-046-005
27	9 1107 5180	Screw Hexagon	# 4-30-01-032-088
28	9 1203 0050	Nut Hexagon	See # 251 048
29	9 3302 0030	Washer	3-24-08-232-00-4
30	9 1619 0550	Pin for Extension Chain	

CS Unitec, Inc.

22 Harbor Ave, Norwalk, CT 06850

Telephone: 203-853-9522 Toll Free: 800-700-5919 Fax: 203-853-9921

WebSite: www.csunitec.com E-Mail: info@csunitec.com

Not responsible for typographical errors.

POS. NO.	ITEM NO.	DESCRIPTION
1 - 5	5 1202 9300	Free Hand Working
7	9 1115 3100	Cylindrical Screw
8	5 1202 9310	Sleeve
9	9 1107 5100	Hexagon Screw
10	9 1203 0050	Nut Hexagon

See # 251 048

CS Unitec, Inc.

22 Harbor Ave, Norwalk, CT 06850

Telephone: 203-853-9522 Toll Free: 800-700-5919 Fax: 203-853-9921

WebSite: www.csunitec.com E-Mail: info@csunitec.cc

Not responsible for typographical errors.

<u>POS. NO.</u>	<u>ITEM NO.</u>	<u>DESCRIPTION</u>	
1	5 1202 8960	Clamp Body	
2	5 1202 8120	Jaw	
3	5 1202 8110	Jaw	
4	9 1619 0920	Cylinder Pin	
5	9 1017 0100	Ball	
6	5 1202 8100	Bearing Bolt	
7	9 3302 0050	Disc	4-24-01-006-12-6 or 4240100714
8	9 1203 0070	Nut	4-20-01-011-12-7 or 4200101214
9	5 1202 8980	Spindle Complete	
13	5 1202 8090	Eye	

CS Unitec, Inc.

22 Harbor Ave, Norwalk, CT 06850

Telephone: 203-853-9522 Toll Free: 800-700-5919 Fax: 203-853-9921

WebSite: www.csunitec.com E-Mail: info@csunitec.com