

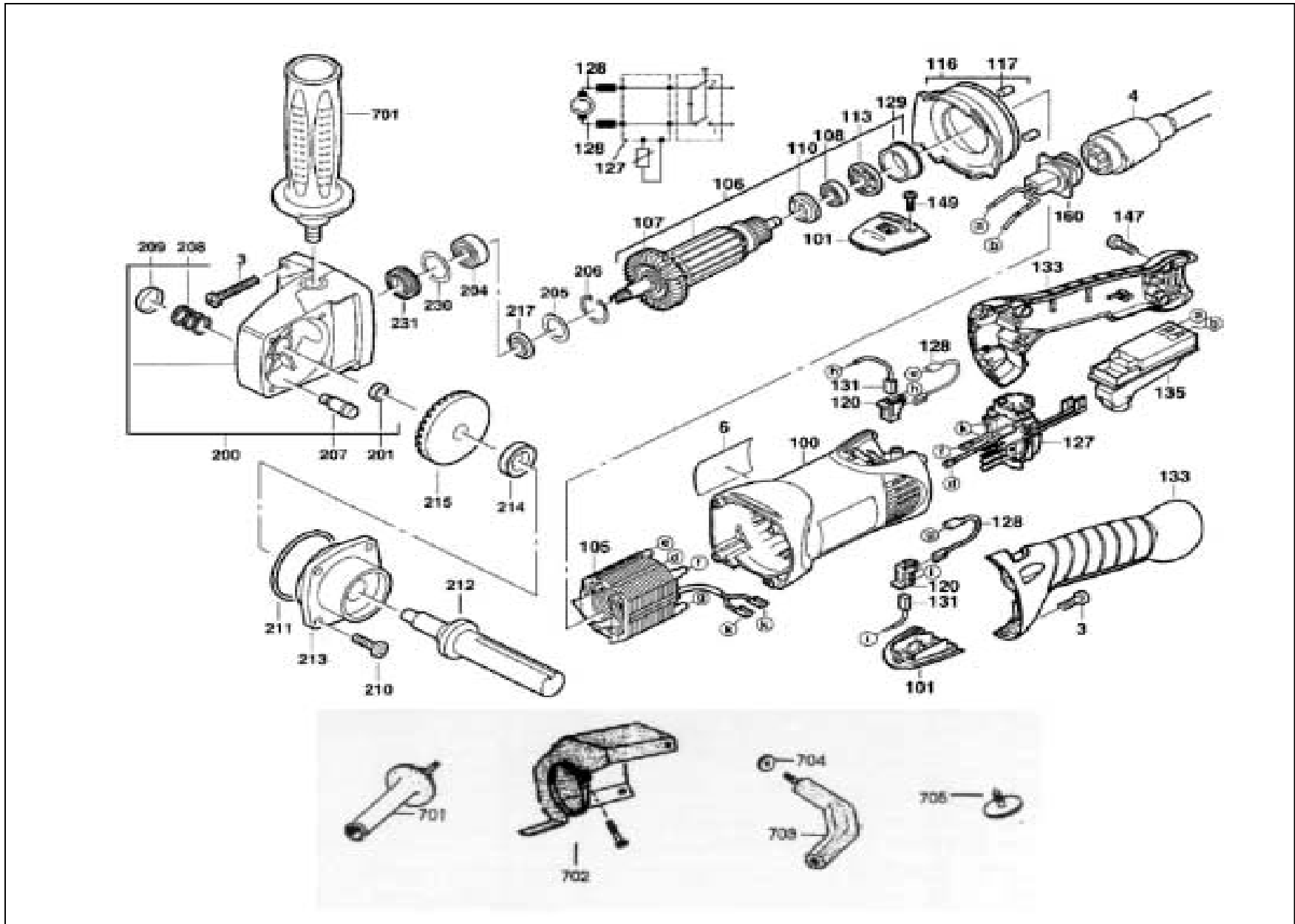
CS UNITEC, INC.

22 Harbor Avenue
Norwalk, CT 06850

Website: www.csunitec.com

Email: info@csunitec.com

Surface Finisher Model PTX ECO SMART



Not responsible for typographical errors.

POS. NO.	ITEM NO.	DESCRIPTION	
3	52003-3	Screw	
4	52004-2	Cable 13' Standard Length	
100	52100-3	Motor Housing	
101	52101-3	Service Case Cover	
105	52105-2	Magnetic Field 110 Volt	
106	52106-2	Armature with Pinion - 110 V	
107	52107	Fan	
108	52108	Ball Bearing	
110	52110	Sealing Ring	
113	52113	Magnetic Ring	
116	52116-3	Flange	
117	52117	Spacer Ring	
120	52120-3	Carbon Brush Holder	
127	52127-2	Electronic - 110 V	
128	52128	Cable	
129	52129	Bearing Cover	
131	52131-1	Carbon Brush	
133	52133-3	Ergo-Grip	
135	52135-3	Switch	
147	52147-3	Screw	
149	52149-3	Screw	
160	52160-2	Cable Connection - 110 V	
200	52200-3	Gear Box	
201	52201	Needle Bearing	
204	52204	Ball Bearing	
205	52205	Washer	
206	52206	Locking Ring	
207	52207	Locking Pin	
208	52208	Compressing Spring	
209	52209	Push Button	
210	52210	Screw	
211	52211	Spacer	
212	52212	Spindle Shaft	
213	52213	Bearing Shield	
214	52214-3	Spacer Ring	
215	52215-3	Crown Wheel	
217	52217	Sealing Ring	
230	52230	Washer	
231	52231-3	Nut	
701	52701	Handle	
702	52702	Cover Guard	
703	52703	Handle Piece	
704	50050	Screw - Special for Handle	Piece
705	50048	Screw for Spindle Shaft	

CS Unitec, Inc.

22 Harbor Ave, Norwalk, CT 06850

Telephone: 203-853-9522 Toll Free: 800-700-5919 Fax: 203-853-9921

WebSite: www.csunitec.com E-Mail: info@csunitec.com