

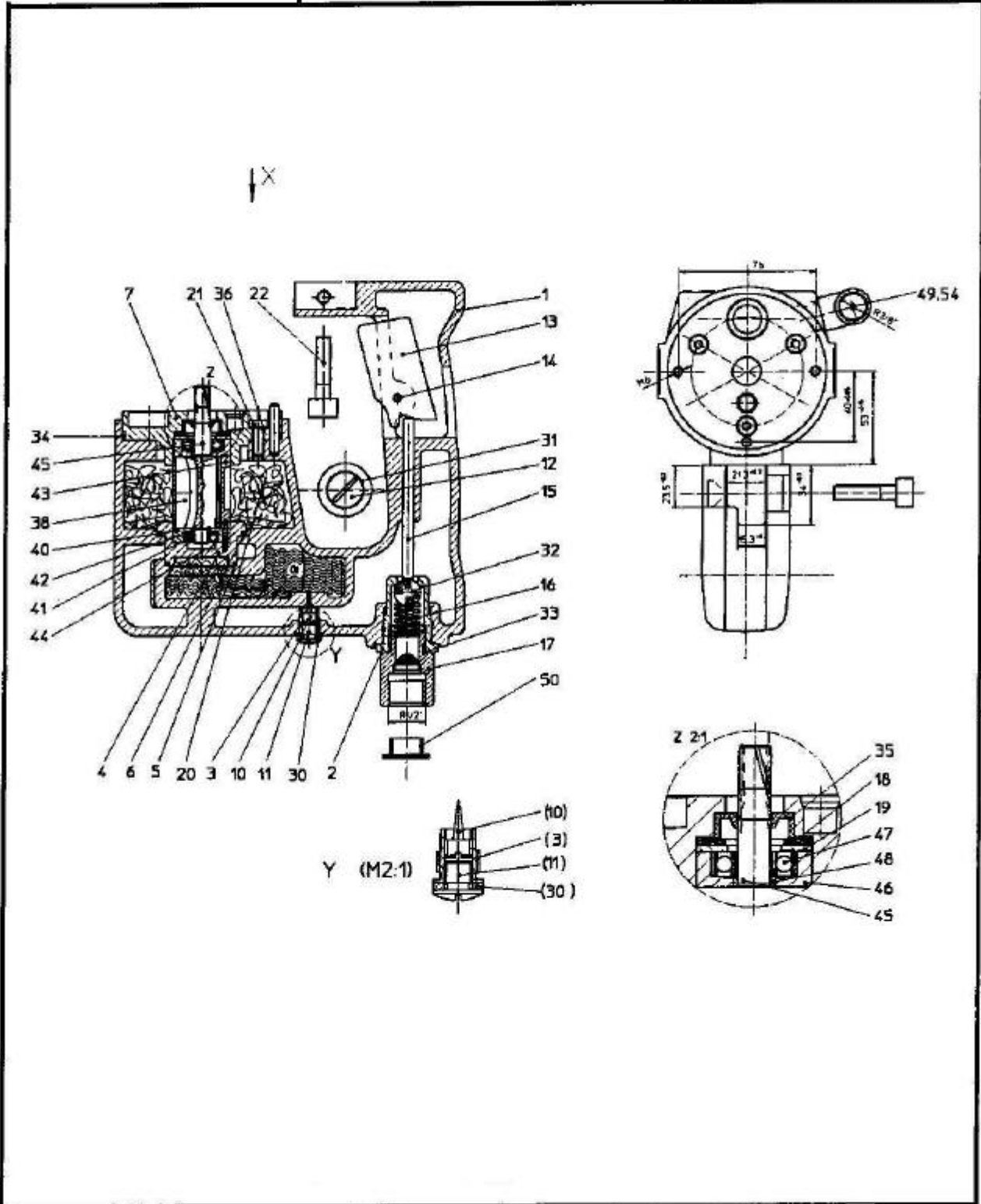
CS UNITEC, INC.
 22 Harbor Avenue
 Norwalk, CT 06850
 Website: www.csunitec.com
 Email: info@csunitec.com

SPARE PARTS LIST

DESCRIPTION:
Motor with handle

ORDER-NUMBER
2 2404 6500

Page-Nr.: 3/6 Revision: 11/02



Not responsible for typographical errors.

<u>POS. NO.</u>	<u>ITEM NO</u>	<u>DESCRIPTION</u>	
1	2 2404 6920	Motor Housing with Handle	with Pos. 2, 3, & 10
2	7 1401 3050	Valve	
3	6 1303 5030	Thread Bushing	
4	2 2404 1120	Bushing	
5	9 1901 3120	O-Ring	
6	9 1901 4190	O-Ring	
7	2 2404 1940	Centering Cover	
8	9 1619 1350	Dowel Pin	
10	9 1151 9010	Screw	3-13-05-209-00-4
11	9 1150 9020	Filler Plug, Old # 9 1150 9070	3-13-05-208-00-0
12	9 1150 9140	Plug	Replaces 9 1150 9060
13	2 2404 3040	Pusher	
14	9 1641 0020	Pin, Notched	
15	9 1637 0280	Valve Pin	
16	9 1803 0250	Spring, Compression	
17	9 2205 1330	Nipple, Assy.	
18	9 1801 0330	Spring, Belleville	
19	2 2404 1160	Washer	
20	1 2034 6100	Sound Absorber	
21	9 1110 4020	Fillister Head Screw	
22	9 1112 5120	Fillister-head Screw	
30	9 1903 0260	Sealing Ring	3-13-05-210-00-6
31	9 1903 1240	Seal	
32	9 1018 0060	Ball	
33	9 1901 3230	O Ring	
34	9 1901 2610	O-Ring	
35	9 1905 0250	Sealing ring SEE # 111 368	
36	9 1903 1250	Seal	
38	3 8601 1050	Vane (5 Required)	
40	2 2404 1110	End Plate	
41	9 1001 0030	Grooved Ball Bearing	(ref 100.587 NS)
42	1 1101 1090	Spacer/Shim	
43	3 8636 1020	Cylinder Bushing	
44	9 1619 0700	Pin	
45	2 2404 1030	Rotor	
46	2 2404 1100	End Plate	
47	9 1001 0050	Grooved Ball Bearing	
48	2 2404 1080	Spacer/shim	
49	9 2209 0100	Air Connection Nipple	
50	9 3401 0030	Screw Plug	
54	9 3401 0640	Protecting Cap	

CS Unitec, Inc.

22 Harbor Ave. Norwalk, CT 06850

Telephone: 203-853-9522 Toll Free: 800-700-5919 Fax: 203-853-9921

WebSite: www.csunitec.com E-Mail: Info@csunitec.com

Not responsible for typographical errors.

<u>POS. NO.</u>	<u>ITEM NO.</u>	<u>DESCRIPTION</u>
401	2 2404 4010	Gearbox Housing
402	2 2404 8100	Dowel Pin
403	2 2404 7130	Sliding Sleeve Assy.
404	2 2404 7140	Bushing
405	9 1506 9240	Feather Key
407	2 2404 8940	Shifter Sleeve Assy.
408	2 2404 8920	Cylinder Assembly
409	2 2404 4540	Impact Piston
410	2 2404 8240	Nut
411	2 2404 7010	End Cap
412	2 2404 4400	Bevel Gears Assembly
413	2 2404 4520	Piston
414	2 2404 4960	Piston Pin Assembly
415	2 2404 4090	Cover
416	2 2404 4550	Crankshaft
417	2 2404 4570	Roller
418	2 2404 4040	Gear
419	2 2404 8080	Bushing
420	2 2404 8090	Drive Shaft
422	2 2404 8010	Drive Housing
423	2 2404 4530	Connecting Rod
424	9 1905 0540	Radial Shaft Sealing
425	2 2404 4920	Slip Clutch Assembly
426	9 1901 3500	O-Ring, 35X2
427	9 1901 3290	O-Ring
428	9 1921 2140	O-Ring, 33X2
429	9 1803 4190	Compression Spring
430	9 1501 1140	Feather Key
431	2 2404 4580	Roller
432	9 1901 5940	O-Ring
433	9 1908 1780	Wiping Seal
434	9 1807 0210	Spring
435	9 1501 1040	Feather Key
436	9 1014 0450	Needle Bearing
437	9 1014 0010	Needle Bearing SEE#S-80420110
438	9 1112 2020	Fillister-head Screw
439	9 1004 0010	Ball Bearing
440	9 1703 0080	Snap Ring
441	9 1901 3270	O-Ring
442	9 1703 0130	Snap Ring
443	9 1003 0050	Grooved Ball Bearing
444	9 1003 0020	Bearing 4-17-01-007-05-0

CS Unitec, Inc.

22 Harbor Ave. Norwalk, CT 06850

Telephone: 203-853-9522 Toll Free: 800-700-5919 Fax: 203-853-9921

WebSite: www.csunitec.com E-Mail: Info@csunitec.com

Not responsible for typographical errors.

<u>POS. NO.</u>	<u>ITEM NO.</u>	<u>DESCRIPTION</u>	
445	9 1001 0070	Grooved Ball Bearing	
446	9 1901 4070	O Ring	
447	9 1110 5100	Fillister-head Screw	
448	9 1702 0050	Retaining Ring	4-26-16-006-00-7
449	111 406	Sec. Washer	
450	9 1901 6310	O-Ring	
451	9 1110 4030	Fillister Head Screw	SEE#-032.0036 OR 020.0146
452	9 1714 0040	Toothed Lock Washer	
453	9 1921 2810	O-Ring	
454	9 1901 2610	O-Ring	
455	9 1029 0130	Bushing	

CS Unitec, Inc.

22 Harbor Ave. Norwalk, CT 06850

Telephone: 203-853-9522 Toll Free: 800-700-5919 Fax: 203-853-9921

WebSite: www.csunitec.com E-Mail: Info@csunitec.com