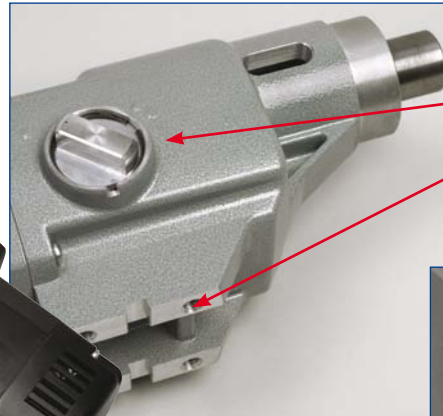


High-torque, reversible electric drill motors for custom applications



Control Boxes with On/Off, Variable Speed



Gear Selection Knob
Holes for Mounting
(Model EAU 34/4 only)



Driving applications include mills, spindles, bar boring, tube rolling, valve turning and more.

Custom Design Options Include:

- ✓ Forward/Reverse
- ✓ Variable Speeds
- ✓ Multiple Gears
- ✓ Spindle: MT or Special
- ✓ Multifunctional Control Boxes or Handles
- ✓ 1/2 to 4 HP
- ✓ Modular Design

Contact us today to configure the motor that meets your specific driving applications.

Spindle Options:
MT2 / MT3
Square Drive or Threaded



Forward/Reverse Control
Electronic Torque Control
Variable-speed Dial

