

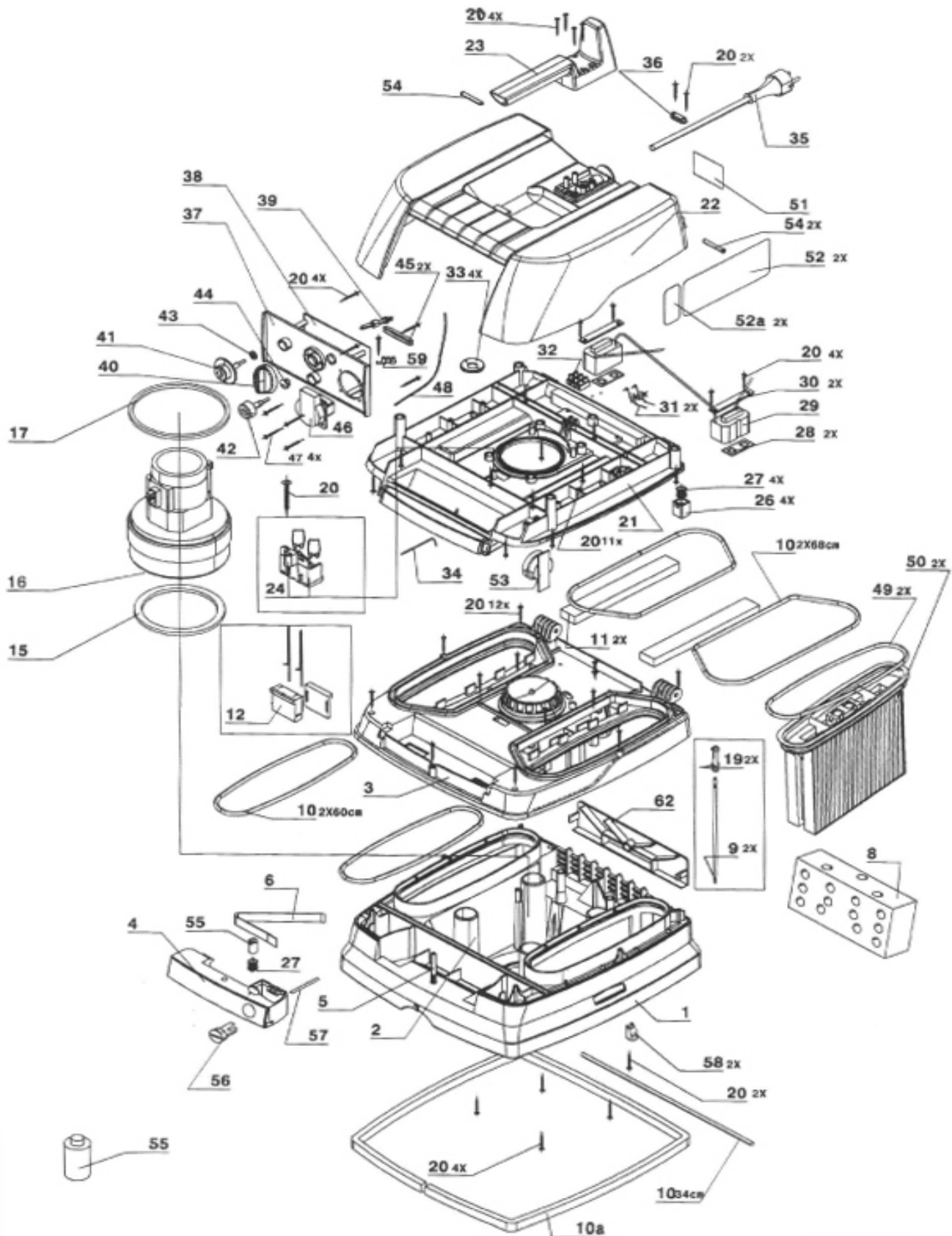
CS UNITEC, INC.

22 Harbor Avenue
Norwalk, CT 06850

Website: www.csunitec.com

Email: info@csunitec.com

Vacuum Model CS 1500



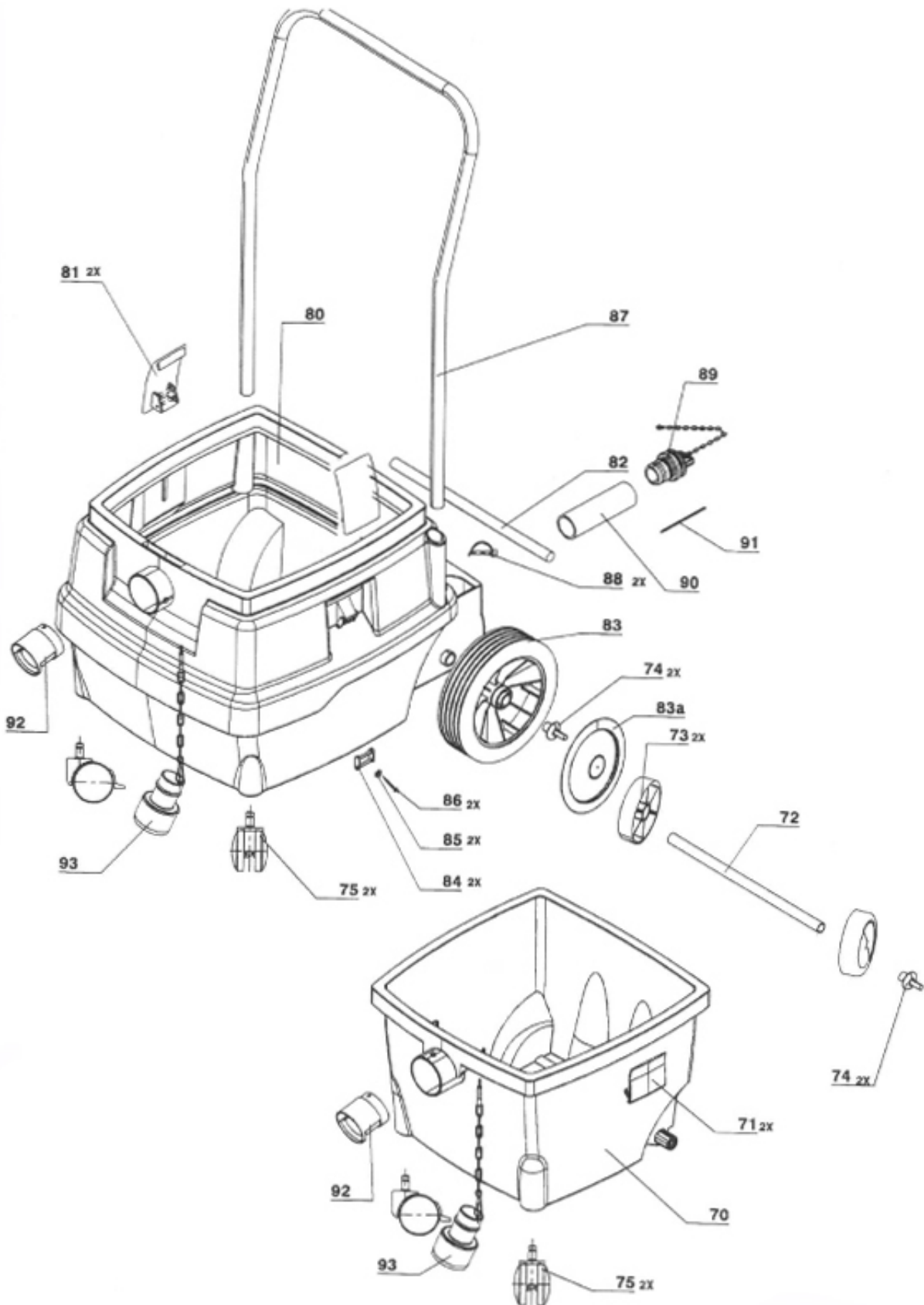
CS UNITEC, INC.

22 Harbor Avenue
Norwalk, CT 06850

Website: www.csunitec.com

Email: info@csunitec.com

Vacuum Model CS 1500



Not responsible for typographical errors.

POS. NO.	ITEM NO.	DESCRIPTION	
	415284	Carbon Brush Conductor	
10A	549248	Tank Seal	
20 + 47 + 86	706429	Screw	
83A	559827	Wheel Cap	
1	415468	Housing, Lower	
3	552118	Motor Housing	
4	422909	Latch Plate	
5	535494	Bridge	
6	535395	Spring	
8	535616	Flat Insulation	
9	557113	Water Sensor	
10	543666	Seal	
11	535630	Motor Filter	
12	417714	Plug	
15	578651	Seal	
16	414836	Motor	
17	518220	Seal	
19	557120	Collet	
21	535135	Circuit Board	
22	535159	Cover	
23	535166	Handle	
24	417707	Plug	
25	561936	Contact Spring	
26	535470	Press Piece	
27	565569	Spring	
28	565514	Plunger	
29	640617	Field	
30	528595	Support	
31	535418	Handle	
32	506104	Wedge	
33	536736	Disk	
34	535500	Contact Wire	
35	552866	Power Cord	
36	531137	Clip	
37	416137	Face Plate	
38	600017	CIRCUIT BOARD, VACUUM	REPLACES 685519
39	535524	Switch Axle	
40	419510	Knob	
44	538945	Lens	
45	535531	Spring	
46	548975	Outlet	
48	549262	Hose	
49	535548	Seal	
50	416069	FILTER CASSETTE-2 PIECES	
50	416038	FILTER CASSETTE-2 PIECES	Cellulose

CS Unitec, Inc.

22 Harbor Ave, Norwalk, CT 06850

Telephone: 203-853-9522 Toll Free: 800-700-5919 Fax: 203-853-9921

WebSite: www.csunitec.com E-Mail: info@csunitec.com

Not responsible for typographical errors.

POS. NO.	ITEM NO.	DESCRIPTION
54	535333	Bearing Bolt
55	543048	Bolting Device Button
56	543055	Lock Button
57	543109	Latch Plate Spring
58	543031	Supports
74	526829	Clip
75	541808	CASTOR FOR VACUUM
80	422947	Container
81	535319	Catch
82	523545	Axle
83	559773	Wheel
84	522180	Lever
85	711102	Disk
87	543437	Handle
88	543468	Spring, cotter
89	417684	Plug
90	548234	Sleeve Hose
91	548968	Cable Strap
92	559322	Rotary Valve
93	401256	Container Catch
N/A	413235	Vacuum Hose

CS Unitec, Inc.

22 Harbor Ave, Norwalk, CT 06850

Telephone: 203-853-9522 Toll Free: 800-700-5919 Fax: 203-853-9921

WebSite: www.csunitec.com E-Mail: info@csunitec.co