

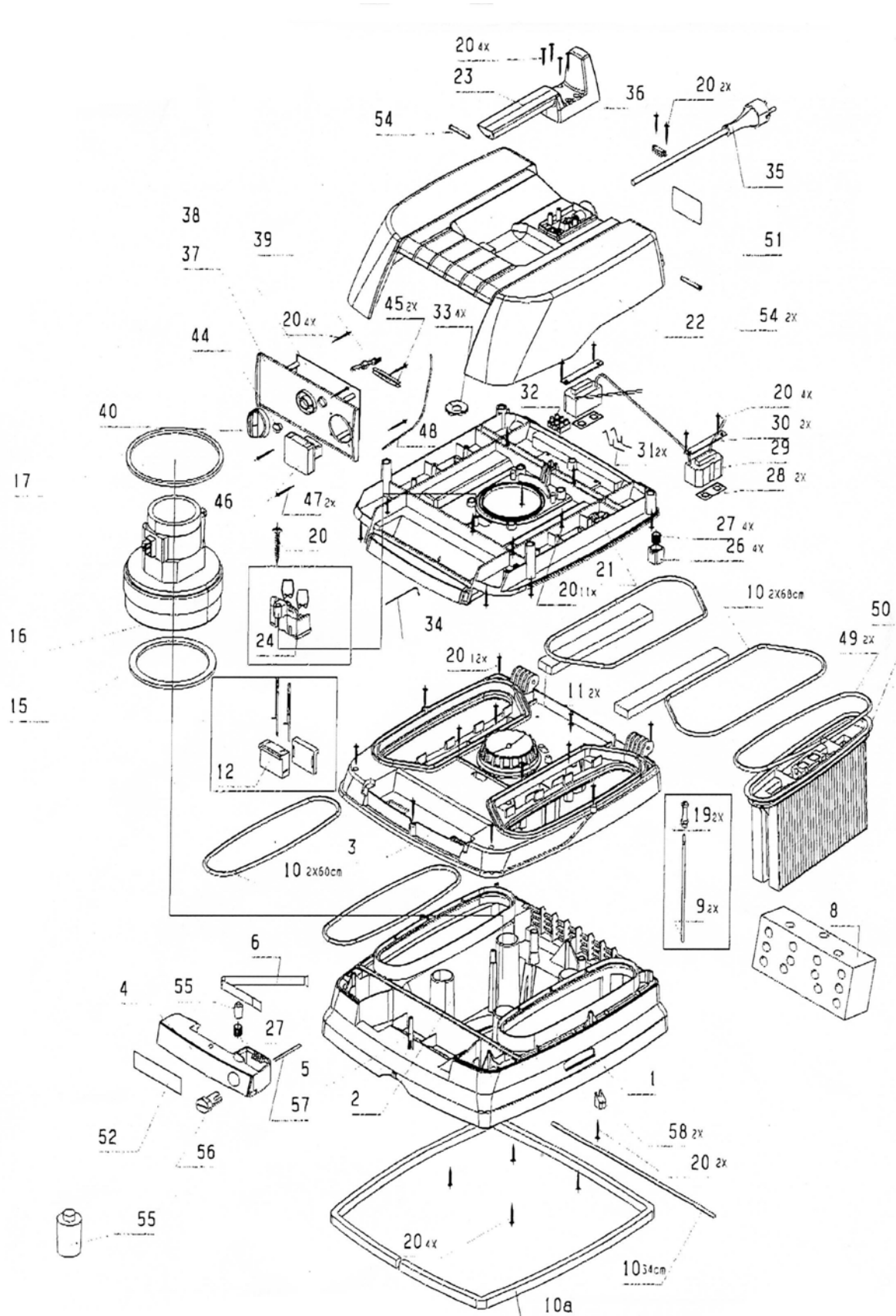
CS UNITEC, INC.

22 Harbor Avenue
Norwalk, CT 06850

Website: www.csunitec.com

Email: info@csunitec.com

Vacuum Model CS 1225



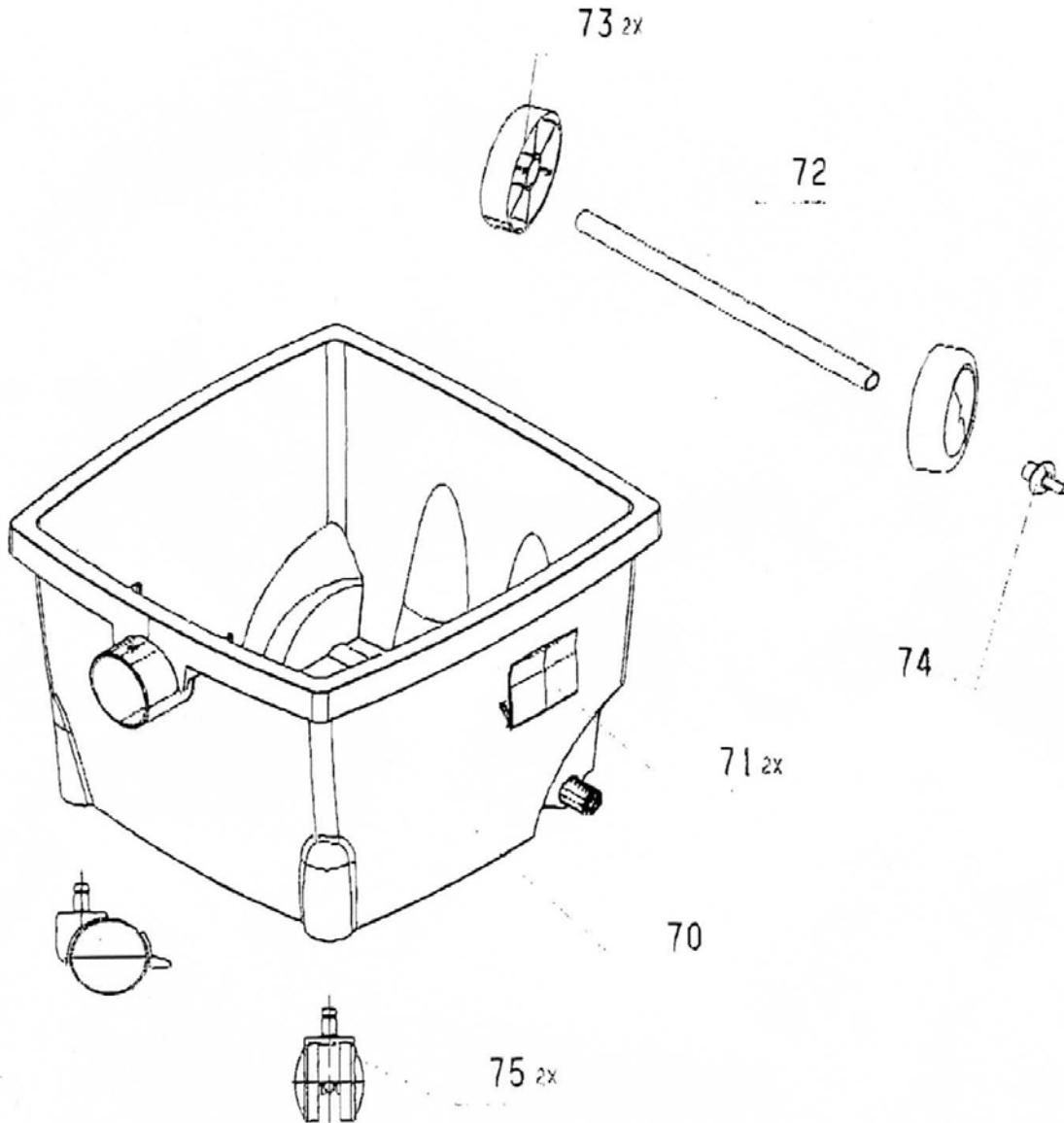
CS UNITEC, INC.

22 Harbor Avenue
Norwalk, CT 06850

Website: www.csunitec.com

Email: info@csunitec.com

Vacuum Model CS 1225



<u>POS. NO.</u>	<u>ITEM NO.</u>	<u>DESCRIPTION</u>	
	416014	Filter Bags for CS 1225	5/pack
		Carbon Brush Conductor	
10A	415284	Tank Seal	
1	549248	Housing, Lower	
3	415468	Motor Housing	
4	552118	Latch Plate	
5	535111	Bridge	
6	535494	Spring	
8	535395	Flat Insulation	
9	535616	Water Sensor	
10	557113	Seal	
11	543666	Motor Filter	
12	535630	Plug	
15	417714	Seal	
16	578651	Motor	
17	414836	Seal	
19	518220	Collet	
20	557120	Screw	
21	706429	Circuit Board	
22	535135	Cover	
23	535159	Handle	
24	535166	Plug	
25	417707	Contact Spring	
26	561936	Press Piece	
27	535470	Spring	
28	565569	Plunger	
29	565514	Field	
30	640617	Support	
31	528595	Handle	
32	535418	Wedge	
33	506104	Disk	
	536736		

CS Unitec, Inc.

22 Harbor Ave, Norwalk, CT 06850

Telephone: 203-853-9522 Toll Free: 800-700-5919 Fax: 203-853-9921

WebSite: www.csunitec.com E-Mail: info@csunitec.com

POS. NO.	ITEM NO.	DESCRIPTION
34	535500	Contact Wire
35	552866	Power Cord
36	531137	Clip
37	416137	Face Plate
38	685519	Circuit Board
39	535524	Switch Axle
40	419510	Knob
44	538945	Lens
45	535531	Spring
46	548975	Outlet
48	510477	Negative Pressure Hose
49	535548	Seal
50	416069	FILTER CASSETTE-2 PIECES
50	416038	FILTER CASSETTE-2 PIECES Cellulose
54	535333	Bearing Bolt
55	543048	Bolting Device Button
56	543055	Lock Button
57	543109	Latch Plate Spring
58	543031	Supports
70	535210	Tank
71	535173	Clip
72	535609	Axle
73	535241	Wheel
74	526829	Clip
75	541808	CASTOR FOR VACUUM

CS Unitec, Inc.

22 Harbor Ave, Norwalk, CT 06850

Telephone: 203-853-9522 Toll Free: 800-700-5919 Fax: 203-853-9921

WebSite: www.csunitec.com E-Mail: info@csunitec.com