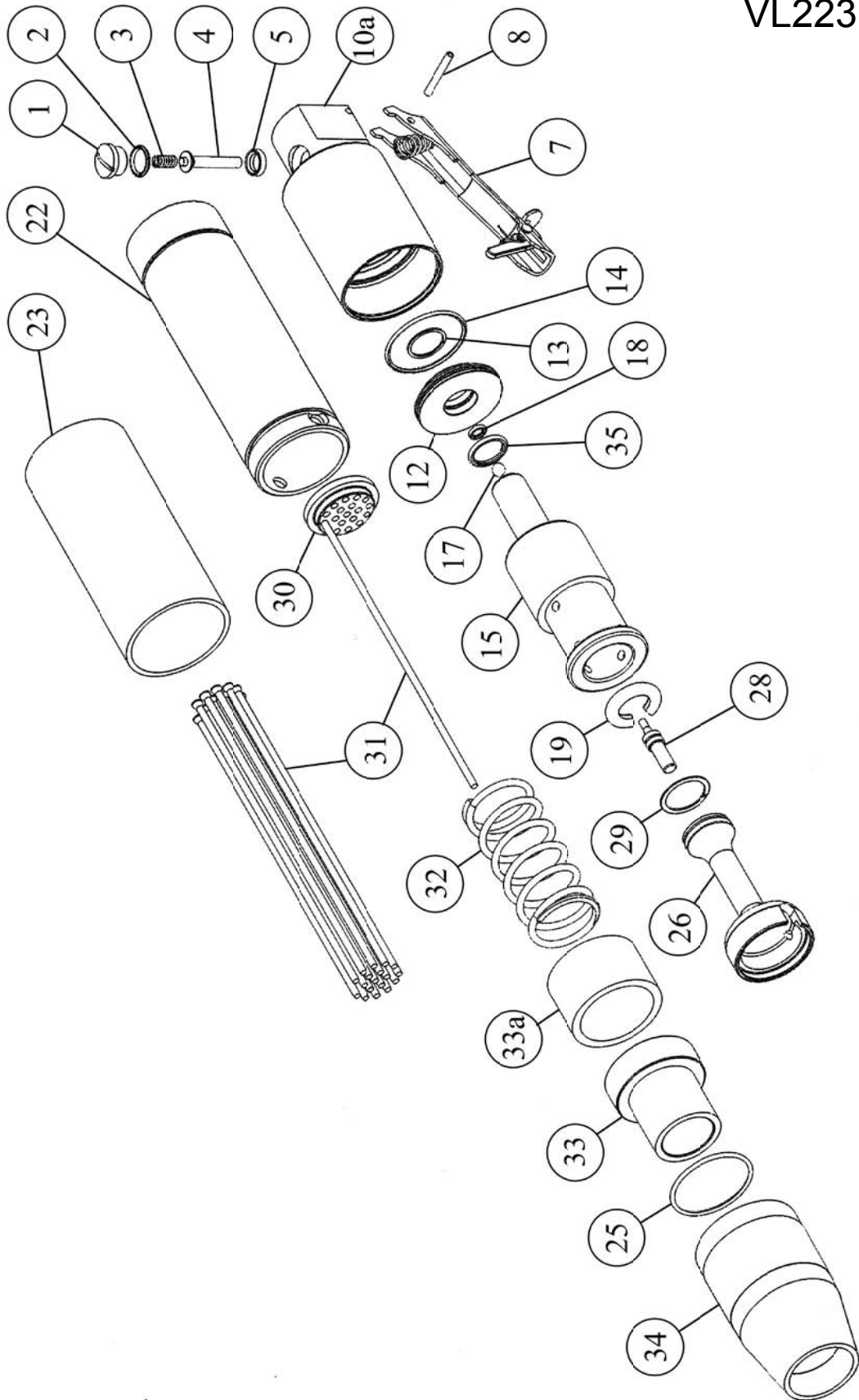


# EXPLODED VIEW

VL223

EXPLODED VIEW



# PARTS LIST

ITEM No.	PART No.	DESCRIPTION	ITEM No.	PART No.	DESCRIPTION
<b>VL223 Components</b>			<b>VL223 Components</b>		
1	615.3021	Valve Cap			
2	809.0139	Valve Cap O'Ring			
3	712.3022	Valve Spring			
4	618.3022	Valve Stem	28	636.3003	Valve Pin
5	809.0089	Valve Seat O'Ring			
			36	610.2003	Anvil
			37	419.2003	Chisel Holder
7	716.1000	Safety Throttle Lever	38	704.3101	Chisel 1/2" Sq Shank 7" x 3/4" Blade
	716.3000	Throttle Lever		704.3103	Chisel 1/2" Sq Shank 7" x 2 1/2" Blade
8	813.0108	Roll Pin		704.3205	Chisel 1/2" Sq Shank 7" x 1 3/8" Blade
				704.3110	Chisel 1/2" Sq Shank Spark Resistant 2" Blade
10a	616.2003	VL223 Cover (Inline)		705.1102	Chisel 5/8" Hex Shank 8" x 4" Blade
	423.2023	VL223 Cover Assembly BSP Thread (inc 1-8 & 10a)		705.1106	Chisel 5/8" Hex Shank 9" x 2" Blade
	423.2203	VL223 Cover Assembly NPT Thread (inc 1-8 & 10a)		705.1112	Chisel 5/8" Hex Shank Spark Resistant 4" Blade
				708.1100	Comb Holder 5/8" Hex Shank (for 1 1/2" Comb)
12	652.2003	Guide Plate		431.3504	Scraper 5/8" Hex Shank c/w 4" Blade
13	829.2003	Guide Plate Seal			
14	809.0299	Guide Plate O'Ring			
15	428.2003	Cylinder			
17	816.3003	Plastic Ball 6mm diameter			
18	809.0080	Ball Retaining O'Ring			
19	809.2004	Piston Cushion		418.2003	Vacuum shroud assembly (with flat cuff)
22	622.2031	Intermediate Tube		731.2103	Flat Cuff
23	721.2003	Intermediate Tube Outer Sleeve		446.2003	Service Kit, (2, 5, 13, 14, 17, 18, 19, 28, 29, 30, 31 set & 32)
25	809.0299	Front Tube Locking O'Ring		819.2375	Connector 1/4" BSPT-3/8" Stem
26	612.2003	Piston			
29	829.2002	Piston Ring			
30	601.2030	3mm Needle Holder (fitted as standard)			
	601.2020	2mm Needle Holder			
31	413.2119	6 x Needle 3mm Chisel set (fitted as standard)			
	412.1151	6 x Needle 2mm Flat set			
	413.1119	6 x Needle 3mm Flat set			
	413.3119	6 x Needle 3mm Pointed set			
	403.1309	Needle set (1 x set Beryllium Copper)			
32	712.2003	Front Spring			
33	620.2003	Front Tube Insert			
33A	620.2003A	Front Tube Spacer			
34	622.2030	Front Tube			
35	809.3005	Cylinder Stem Reaction Ring			