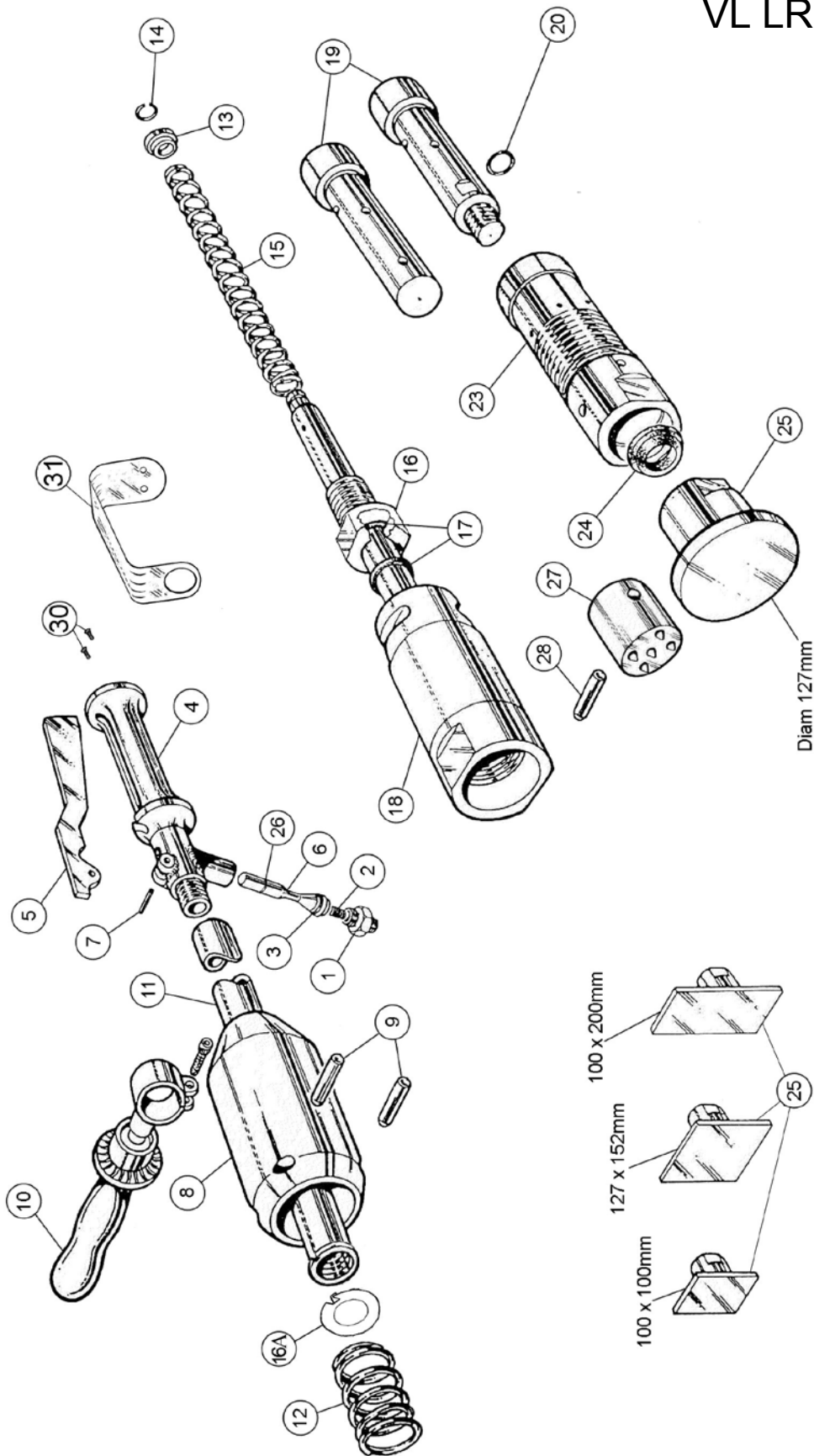


EXPLODED VIEW

VL LRS55



PARTS LIST

ITEM	PART NUMBER	DESCRIPTION
1	627.5002	Adapter
2	712.5001	Valve Spring
3	809.5599	O'Ring (Valve seat)
4	422.5000	Handle c/w Valve Body
5	649.5001	Throttle Lever
6	448.5022	Valve Stem (Includes O'Rings)
7	813.0840	Throttle Lever Pivot Pin
8/18	411.5052	Cowl & Body Assembly
9	813.1040	Locking Pin
10	422.5220	Side Handle
11	624.5002	Handle Tube
	624.5006	Handle Tube Long Version (400mm longer)
12	712.5003	Secondary Spring
13	628.5002	Thrust Ring
14	815.5509	Circlip
15	712.5002	Spring
16	625.5002	Locknut
16A	720.5003	Tab washer
17	809.6289	O'Ring (Centre Bar Seal & Cushion)
18	<i>see item 8</i>	Body Assembly
19	612.5001	Piston (Screw fit)
	612.5005	Piston (Pin fit)
20	809.6499	Piston O'Ring (Screw fit)
23	613.5001	Cylinder
24	829.5001	Wiper seal
25	450.5007	127mm Diameter Compactor Foot (Screw Fit)
	450.5017	127mm Diameter Compactor Foot (Pin Fit)
	450.5001	100 x 100mm Compactor Foot (Screw Fit)
	450.5011	100 x 100mm Compactor Foot (Pin Fit)
	450.5003	127 x 152mm Compactor Foot (Screw Fit)
	450.5013	127 x 152mm Compactor Foot (Pin Fit)
	450.5006	100 x 200mm Compactor Foot (Screw Fit)
	450.5016	100 x 200mm Compactor Foot (Pin Fit)
26	809.0069	O'Ring (Valve Stem Seal)
27	426.5051	Scabbler Head - Five Point TCT (Screw Fit)
	426.5359	Scabbler Head - Five Point TCT (Pin Fit)
	426.5052	Scabbler Head - Cruciform TCT (Screw Fit)
28	813.1050	Roll Pin (Pin Fit Type)
29		<i>Not Assigned</i>
30	806.2080	Trigger Guard Screw
31	665.5500	Trigger Guard
	809.6599	Cylinder O'Ring (Small) (No longer fitted 8/2012)
	809.6619	Cylinder O'Ring (Large) (No longer fitted 8/2012)